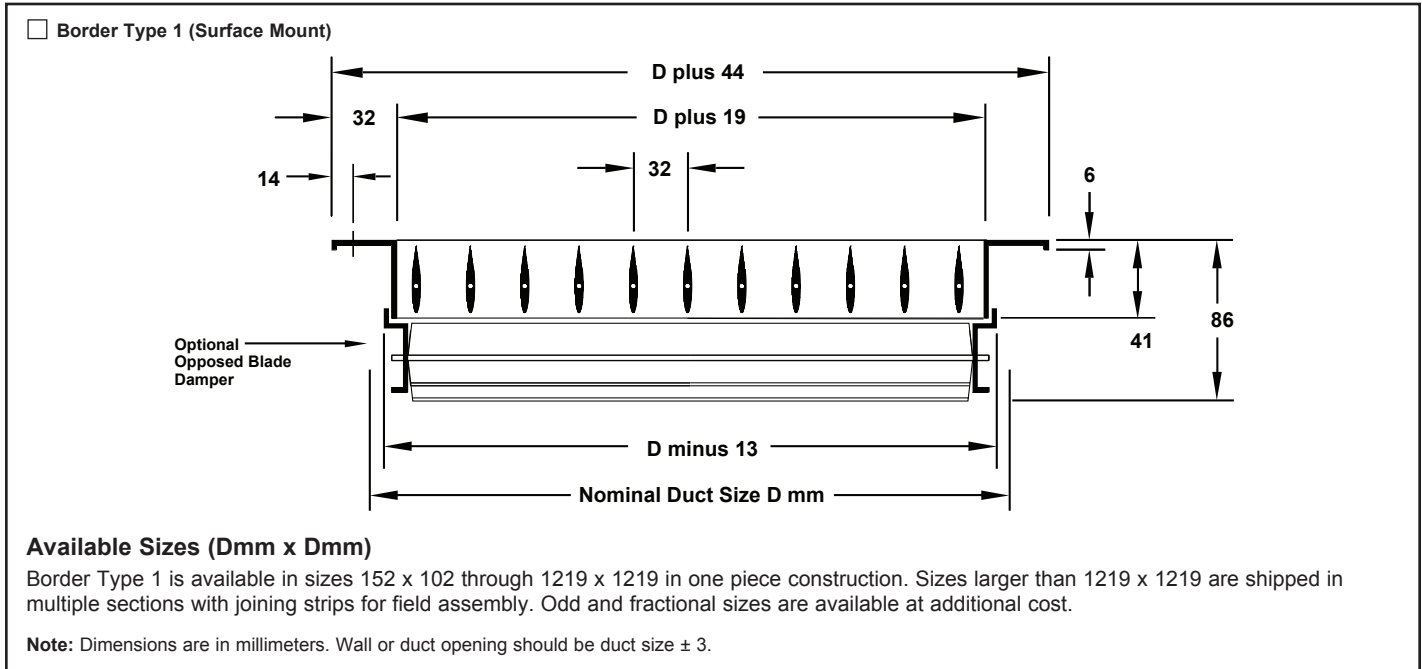


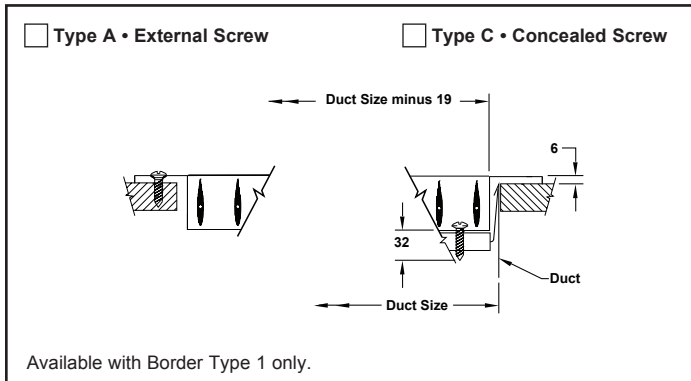
Louvered Supply Grilles and Registers • Aero-Blade Series Steel Border • Aluminum Airfoil Blades

Models: M111RL • Single Deflection • Long Blades • 32mm Blade Spacing

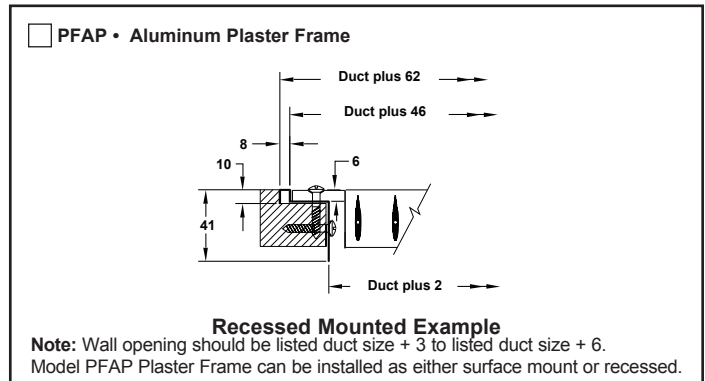
M111RS • Single Deflection • Short Blades • 32mm Blade Spacing



Fastenings



Mounting Frames



Accessories (Optional)

Check if provided

- Opposed blade damper (galvanized steel)
 EQT • Earthquake Tabs

- IS • Insect Screen (2mm square mesh – galvanized steel)
 DS • Debris Screen (6mm square mesh – galvanized steel)
 Other: _____

Standard Finish: #26 White

Other Finish: _____

General Description

- Aerodynamically shaped blades are individually adjustable.
- Optional opposed blade damper has screw-driver adjustment accessible through face of register.

- Material is 20 gauge steel for border and heavy extruded aluminum for blades.
- #8 x 32mm lg. Phillip's flat head sheet metal screws painted white.

• All dimensions are ± 2 mm.



Note: This submittal is meant to demonstrate general dimensions of this product. The drawings on this submittal are not meant to detail every aspect of the product with exactness. Drawings are not to scale. TITUS reserves the right to make changes without written notice.
605 Shiloh Road • Plano, Texas 75074 • 972-212-4800

MABG-5.0-S