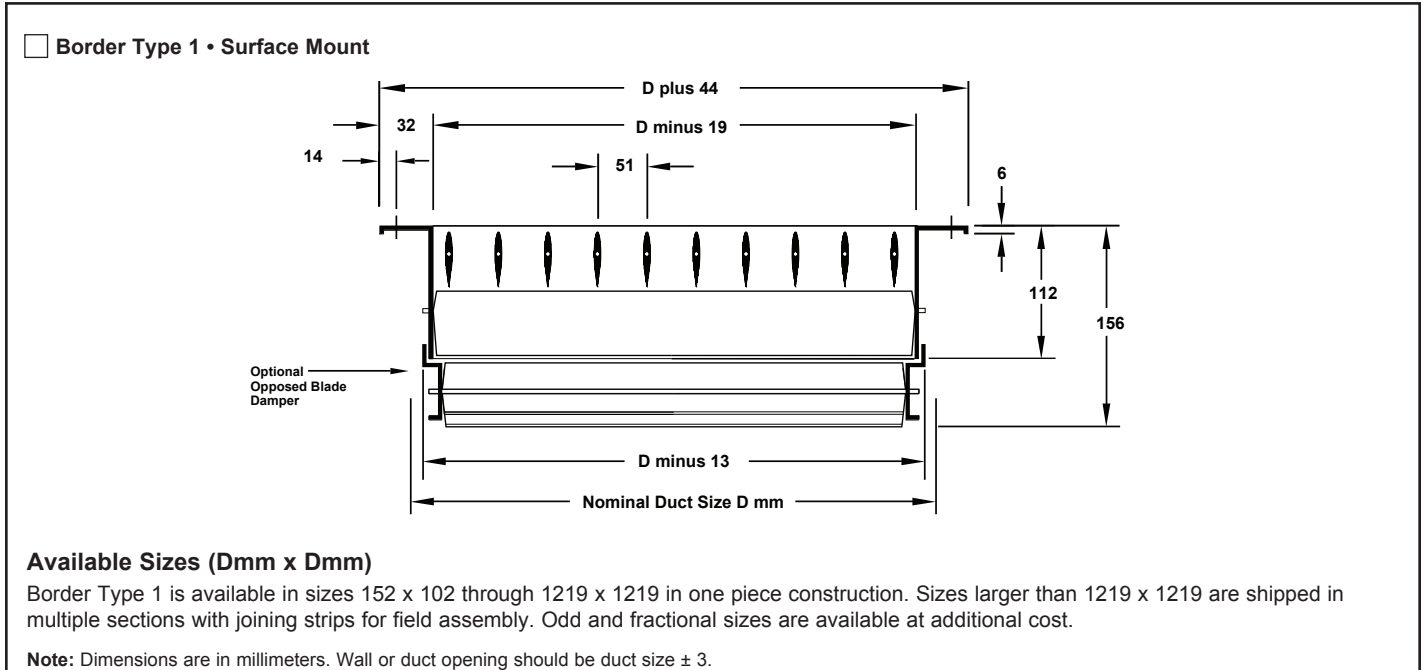
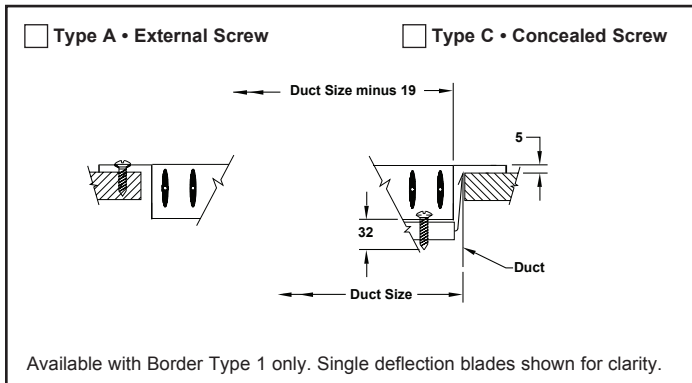


Louvered Supply Grilles and Registers • Aero-Blade Series Steel Border • Aluminum Airfoil Blades

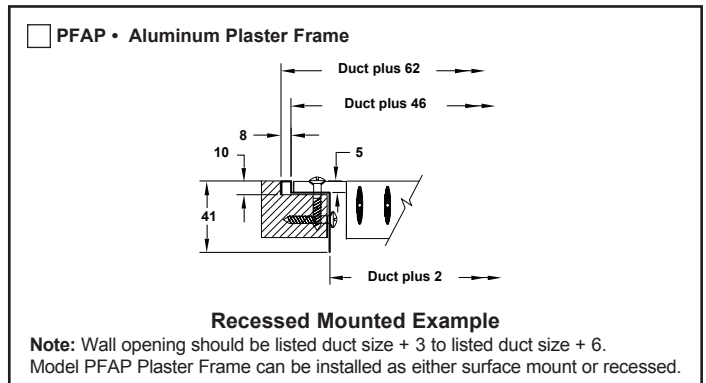
Models: M122RL • Double Deflection • Long Front Blades • 51mm Blade Spacing
 M122RS • Double Deflection • Short Front Blades • 51mm Blade Spacing



Fastenings



Mounting Frames



Accessories (Optional)

Check if provided

- Opposed blade damper (galvanized steel)
- EQT • Earthquake Tabs
- IS • Insect Screen (2mm square mesh – galvanized steel)
- DS • Debris Screen (6mm square mesh – galvanized steel)
- Other: _____

Standard Finish: #26 White

Other Finish: _____

General Description

- Aerodynamically shaped blades are individually adjustable.
- Optional opposed blade damper has screw-driver adjustment accessible through face of register.
- Material is 20 gauge steel for border and heavy extruded aluminum for blades.
- #8 x 32mm lg. Phillip's flat head sheet metal screws painted white.
- All dimensions are ± 2 mm.