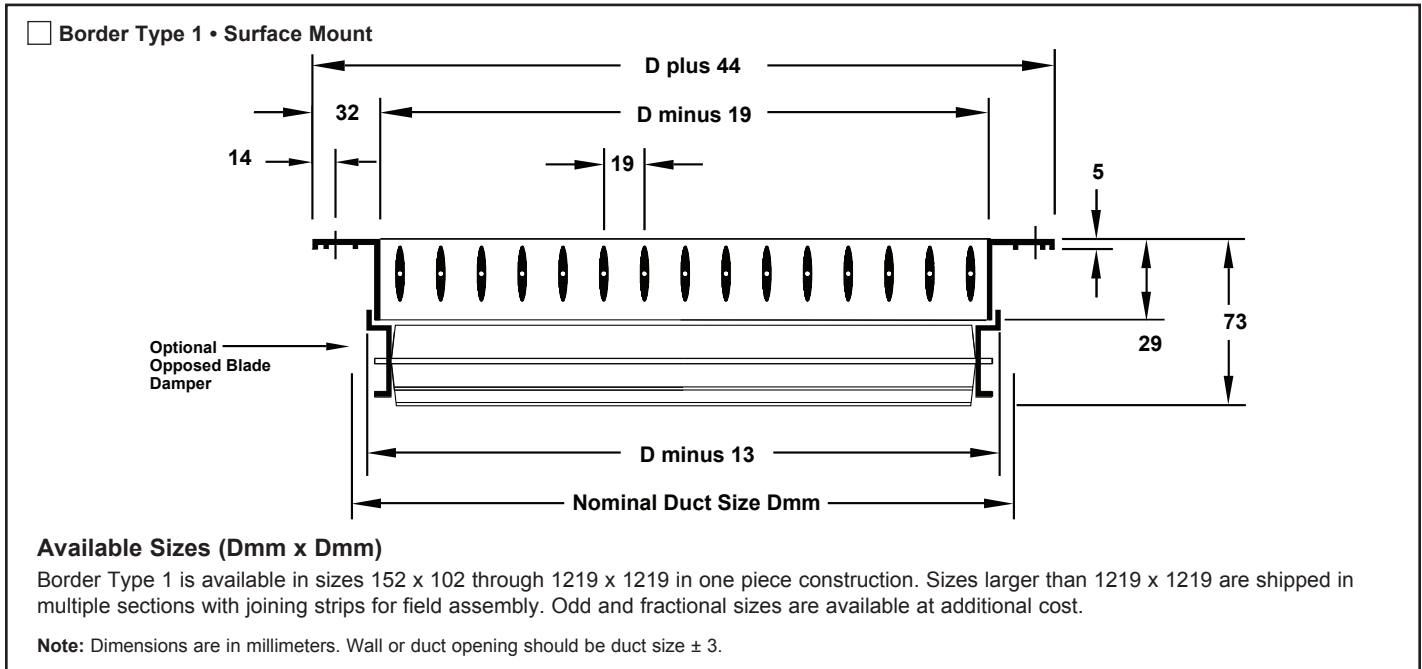


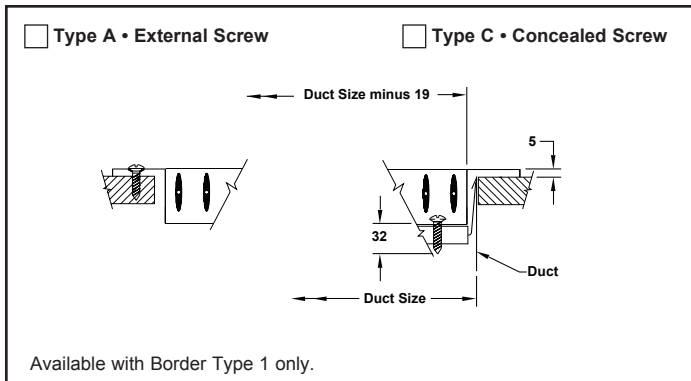
Louvered Supply Grilles and Registers • Aero-Blade Series Aluminum Border • Aluminum Airfoil Blades

Models: M271FL • Single Deflection • Long Blades • 19mm Blade Spacing

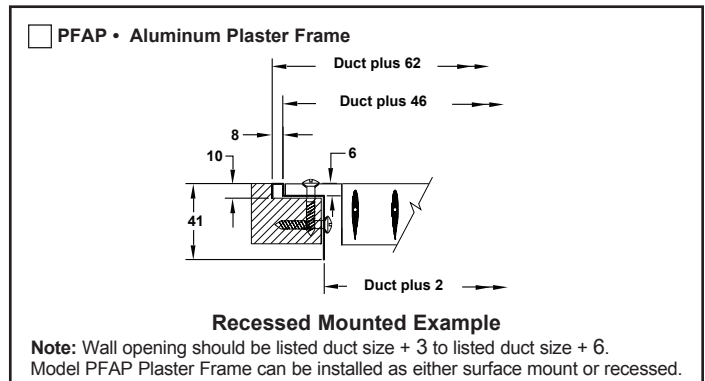
M271FS • Single Deflection • Short Blades • 19mm Blade Spacing



Fastenings



Mounting Frames



Accessories (Optional)

Check if provided

- Opposed blade damper (galvanized steel)
- EQT • Earthquake Tabs
- Other: _____

- IS • Insect Screen (2mm square mesh – galvanized steel)
- DS • Debris Screen (6mm square mesh – galvanized steel)

Standard Finish: #26 White

Other Finish: _____

General Description

- Aerodynamically shaped blades are individually adjustable.
- Optional opposed blade damper has screw-driver adjustment accessible through face of register.

- Material is heavy extruded aluminum for blades and border.
- #8 x 32mm lg. Phillip's flat head sheet metal screws painted white.

• All dimensions are ± 2 mm.