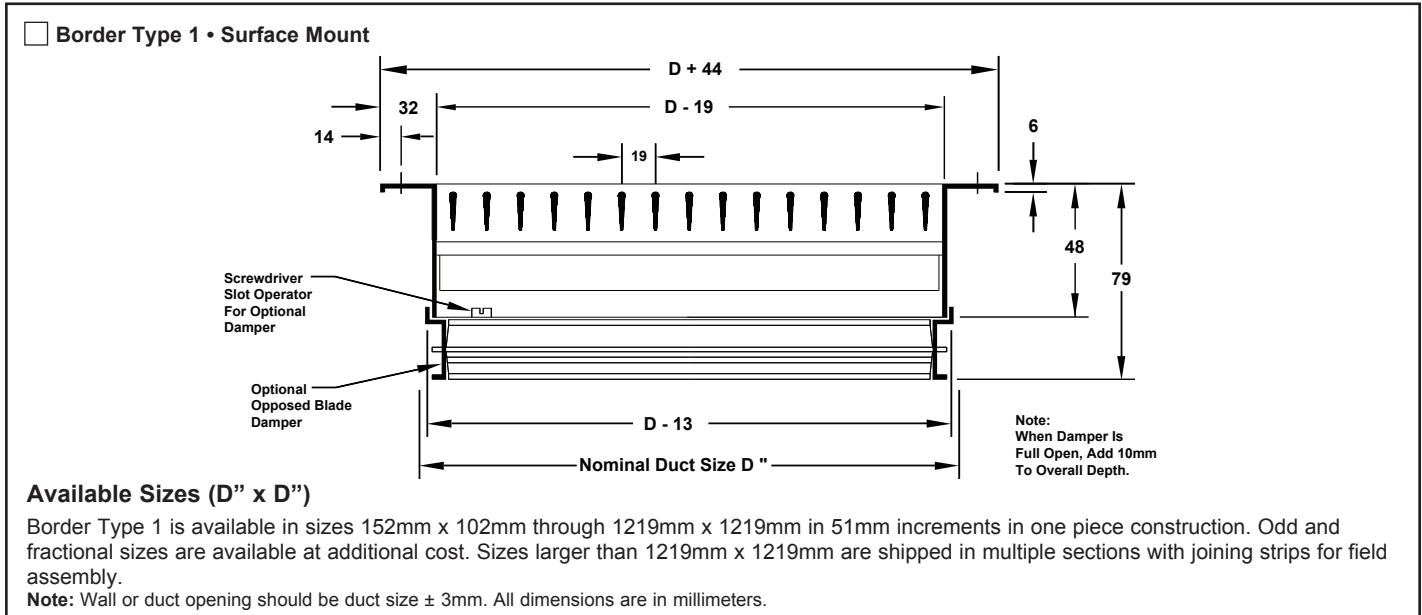
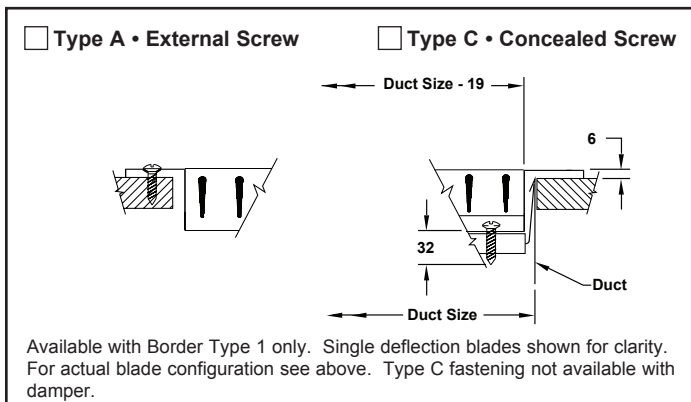


Louvered Supply Grilles and Registers • Steel

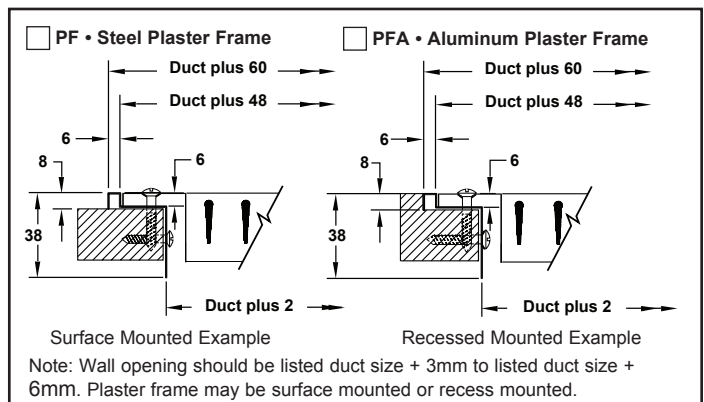
- Models: M300RL • Double Deflection • Long Front Blades • 19mm Blade Spacing
 M300RS • Double Deflection • Short Front Blades • 19mm Blade Spacing



Fastenings



Mounting Frames



Accessories (Optional)

Check if provided

- Neck mounted opposed blade damper (galvanized steel)
 IS • Insect Screen (2mm square mesh – galvanized steel)
 DS • Debris Screen (6mm square mesh – galvanized steel)
 EQT • Earthquake tabs
 Other _____

Standard Finish: #26 White

- Optional finish _____

General Description

- Available with front louvers vertical or horizontal.
- Front and rear louvers are individually adjustable.
- Material is steel.
- #8 x 32mm lg. Phillip's flat head sheet metal screws (painted).
- All dimensions are ± 2 mm.