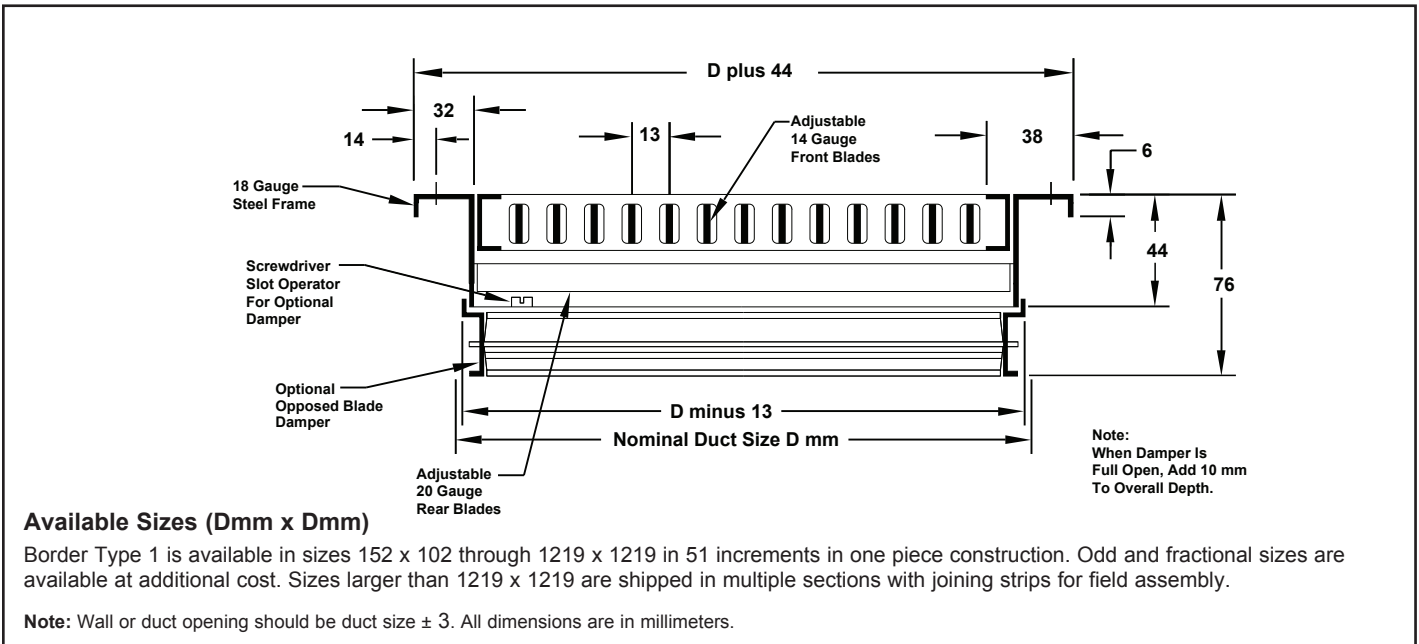
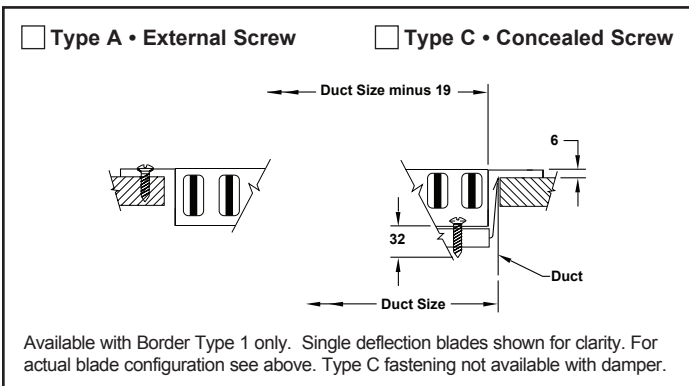


Heavy Duty Louvered Supply Grilles and Registers • Steel

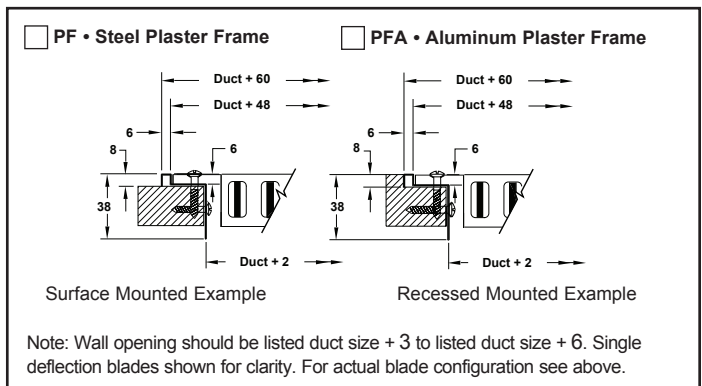
- Models: **M300RL-HD** • Double Deflection • Long Front Blades with 13mm Blade Spacing
 • Short Rear Blades with 19mm Spacing
 M300RS-HD • Double Deflection • Short Front Blades with 13mm Blade Spacing
 • Long Rear Blades with 19mm Spacing



Fastenings



Mounting Frames



Accessories (Optional)

- Neck mounted opposed blade damper (galvanized steel)

Check if provided

- EQT • Earthquake tabs
 Other _____

Standard Finish: #26 White

- Optional finish _____

General Description

- 14 gauge front blades individually adjustable, 0° - 40° deflection.
- #8 x 32mm lg. Phillip's flat head sheet metal screws painted white.
- Optional opposed blade damper has screwdriver adjustment accessible through face of register.
- Material: Steel.
- All dimensions are ± 2 mm.