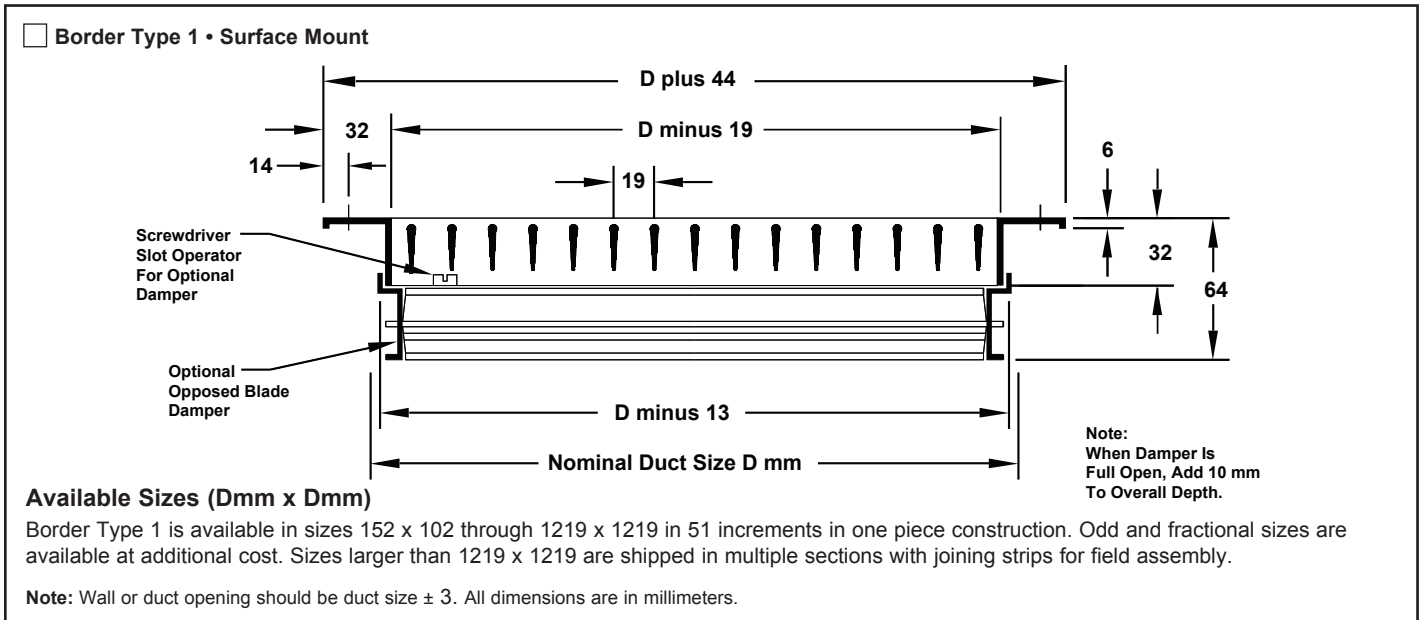
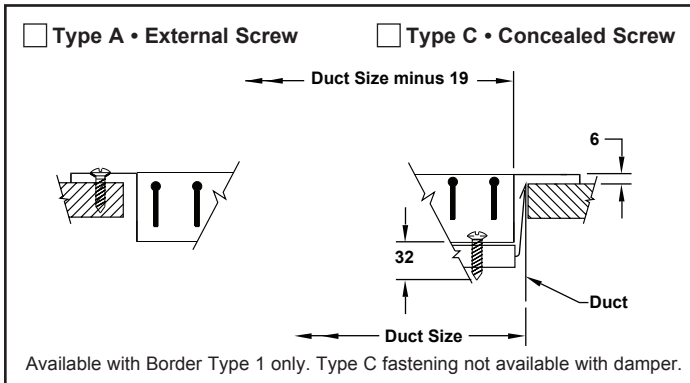


Louvered Supply Grilles and Registers • Aluminum

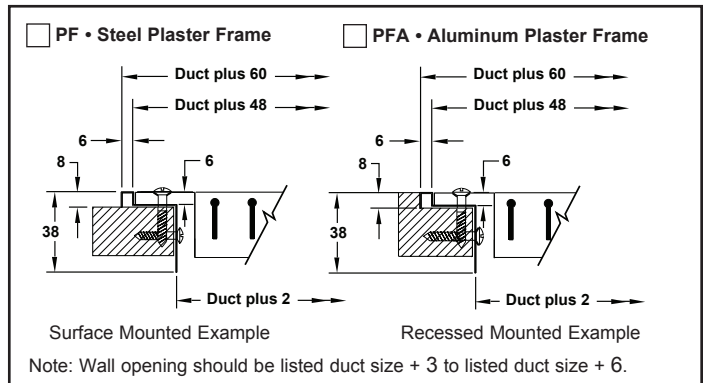
- Models: M301FL • Single Deflection • Long Blades • 19mm Blade Spacing
 M301FS • Single Deflection • Short Blades • 19mm Blade Spacing



Fastenings



Mounting Frames



Accessories (Optional)

Check if provided

- Neck mounted opposed blade damper (galvanized steel) DS • Debris Screen (6mm square mesh – galvanized steel)
- IS • Insect Screen 2mm square mesh – galvanized steel) EQT • Earthquake tabs
- Other _____

Standard Finish: #26 White

- Optional finish _____

General Description

- Available with louvers vertical or horizontal.
- Louvers are individually adjustable.
- Material is aluminum.
- #8 x 32mm lg. Phillip's flat head sheet metal screws painted white.
- Optional opposed blade damper has screwdriver adjustment accessible through face of register.
- All dimensions are ± 2 mm.