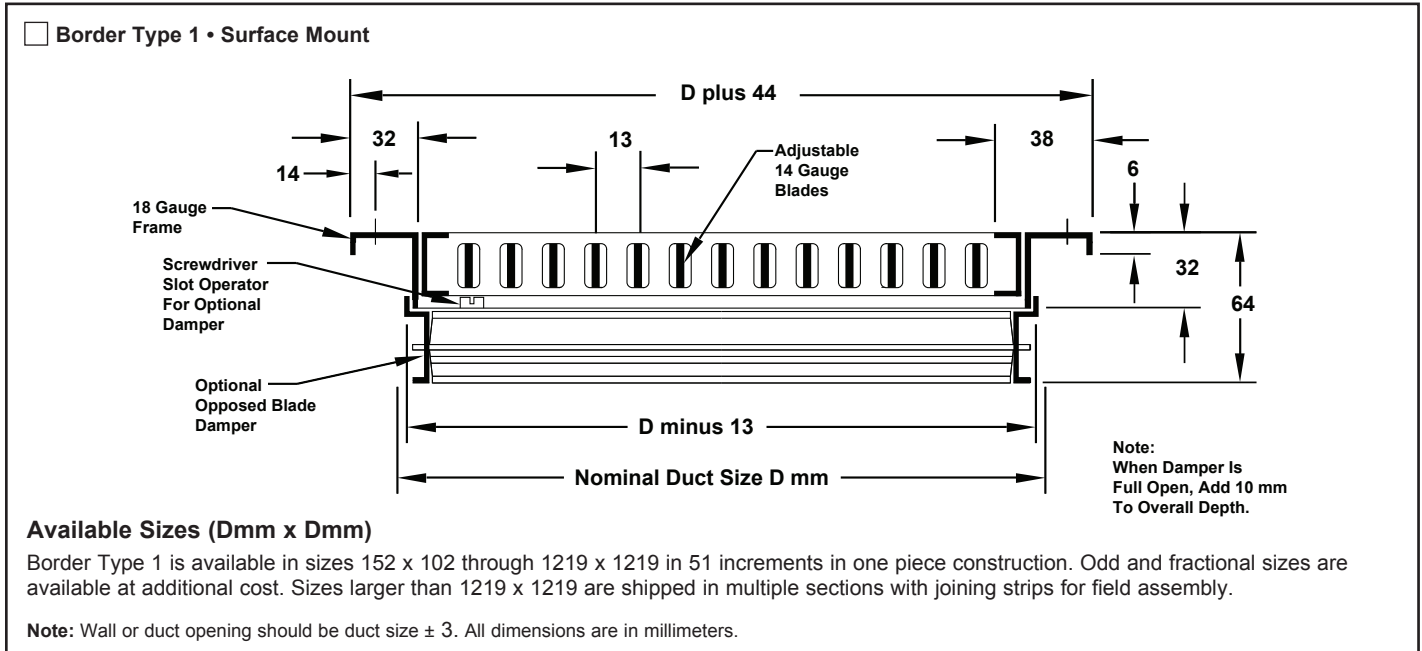


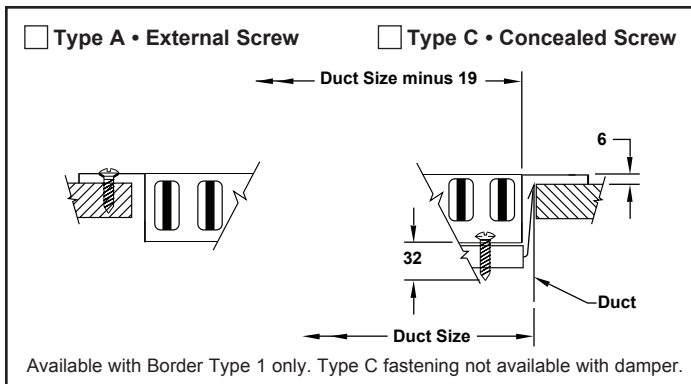
Heavy Duty Louvered Supply Grilles and Registers • Steel

Models: M301RL HD • Single Deflection • Long Blades with 13mm Spacing

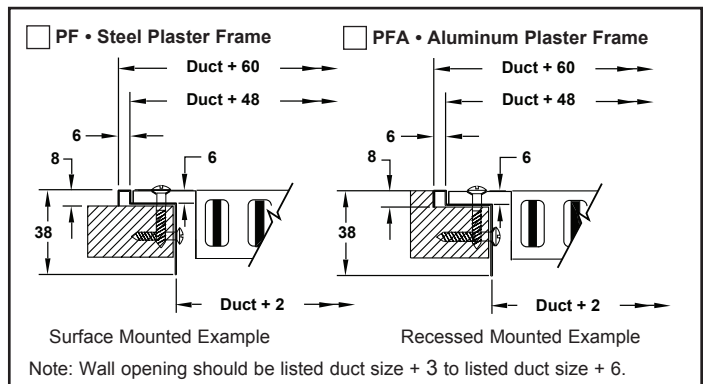
M301RS HD • Single Deflection • Short Blades with 13mm Spacing



Fastenings



Mounting Frames



Accessories (Optional)

Standard Finish: #26 White

Check if provided

Optional finish _____

Neck mounted opposed blade damper (galvanized steel)

EQT • Earthquake tabs

Other _____

General Description

• 14 gauge front blades individually adjustable, 0° - 40° deflection.

• #8 x 32mm lg. Phillips flat head sheet metal screws painted white.

• Optional opposed blade damper has screwdriver adjustment accessible through face of register.

• Material is steel.

• All dimensions are ± 2 mm.