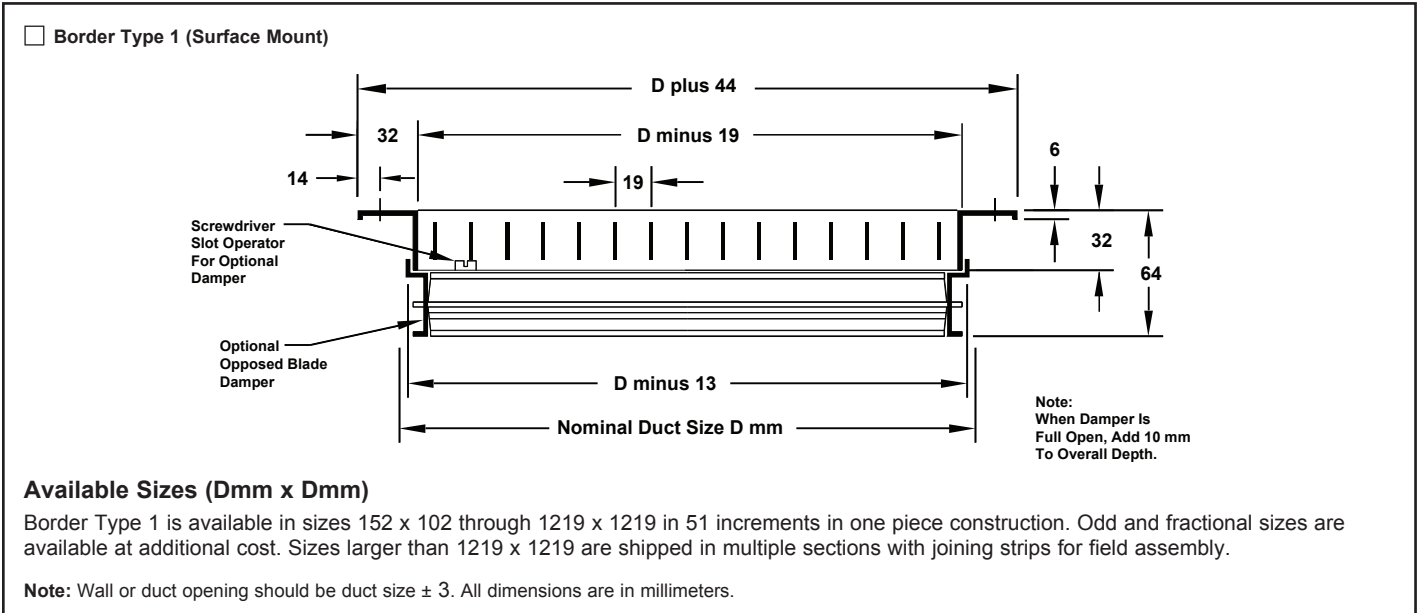
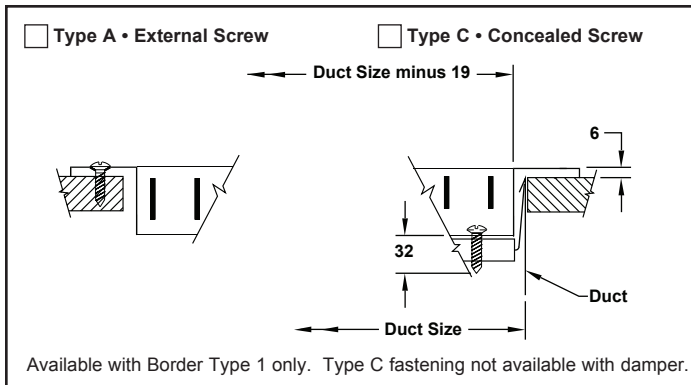


Louvered Return Grilles and Registers • Steel

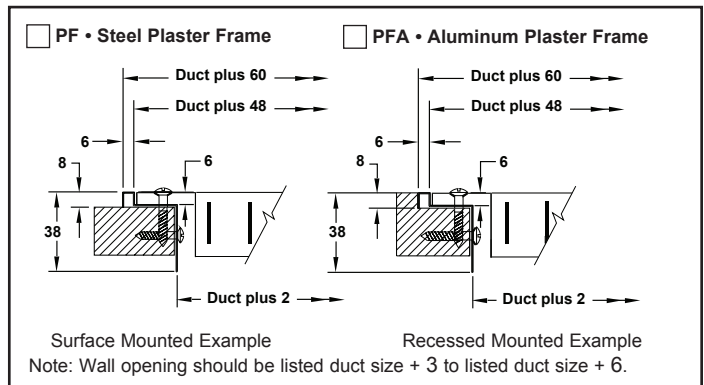
- Models: M350ZRL • 0° Deflection • Long Blades • 19mm Blade Spacing
 M350ZRS • 0° Deflection • Short Blades • 19mm Blade Spacing



Fastenings



Mounting Frames



Accessories (Optional) Check if provided

- | | |
|--|--|
| <input type="checkbox"/> Neck mounted opposed blade damper (galvanized steel) | <input type="checkbox"/> DS • Debris Screen (6mm square mesh – galvanized steel) |
| <input type="checkbox"/> IS • Insect Screen (2mm square mesh – galvanized steel) | <input type="checkbox"/> EQT • Earthquake tabs |
| | <input type="checkbox"/> Other _____ |

Standard Finish: #26 White

Optional finish _____

General Description

- Available with louvers vertical or horizontal.
- #8 X 32mm lg. Phillips flat head sheet metal screws painted white.
- Optional opposed blade damper has screwdriver adjustment accessible through face of register.
- Material: Steel.
- All dimensions are ± 2 mm.

Optional Border Types Available

**Border Type 2 (Snap-in)
Panel Mounted**

Available in 610 x 610 modules with neck sizes up to 509 x 509.

**Border Type 3 (Lay-in)
Panel Mounted**

Available in all standard module sizes with neck sizes up to module size minus 51.

**Border Type 4 (Spline)
Panel Mounted**

Available in 610 x 610 modules with neck sizes up to 509 x 509.
Splines on 2 opposite sides only

Border Type 7 (Channel)

Available in sizes up to 1219 x 1219.

Border Type 2, 3, 4

• Accessories & Options

Check if provided

- MAG-15 • Neck mounted opposed blade damper (galvanized steel)
- IS • Insect Screen (2mm square mesh – galvanized steel)
- DS • Debris Screen (6mm square mesh – galvanized steel)
- EQT • Earthquake tabs
- Other _____

Standard Finish: #26 White

- Optional finish _____

Border Type 7

• Accessories & Options

Check if provided

- EQT • Earthquake tabs
- Other _____

Standard Finish: #26 White

- Optional finish _____