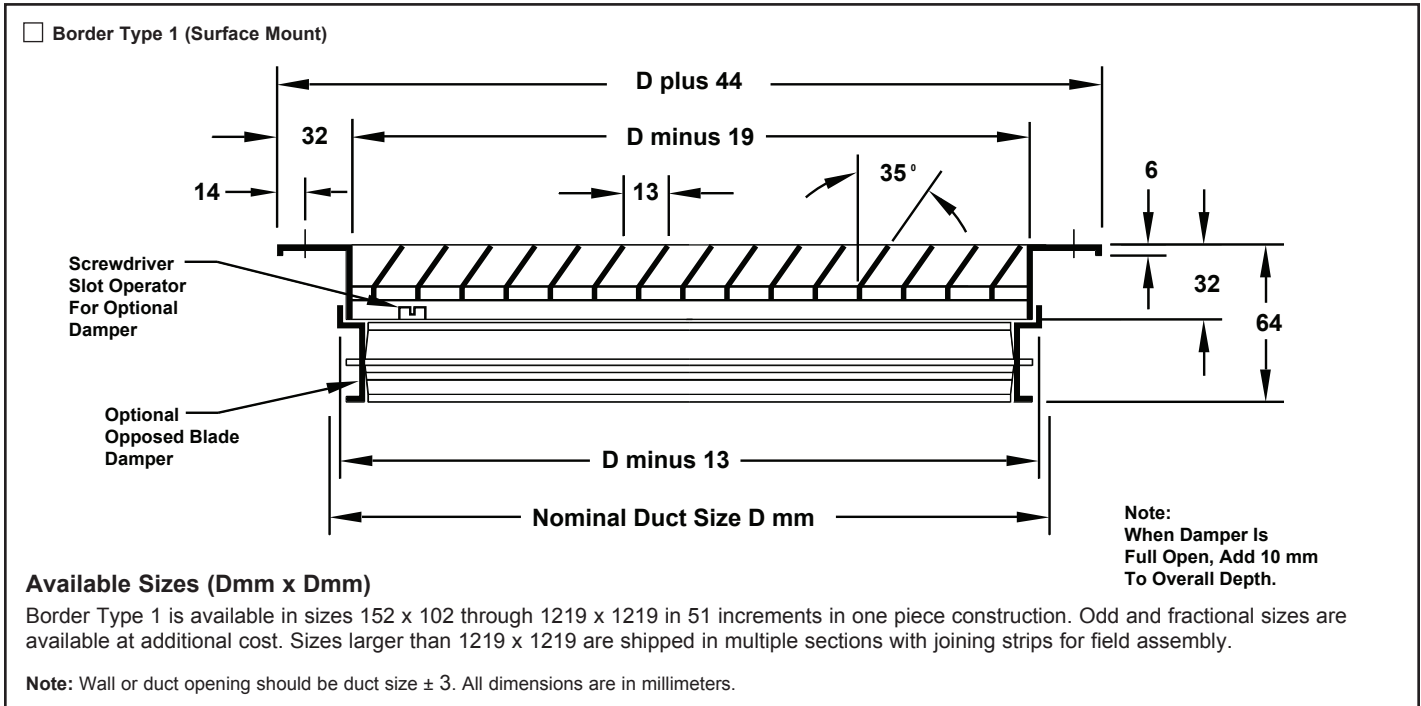


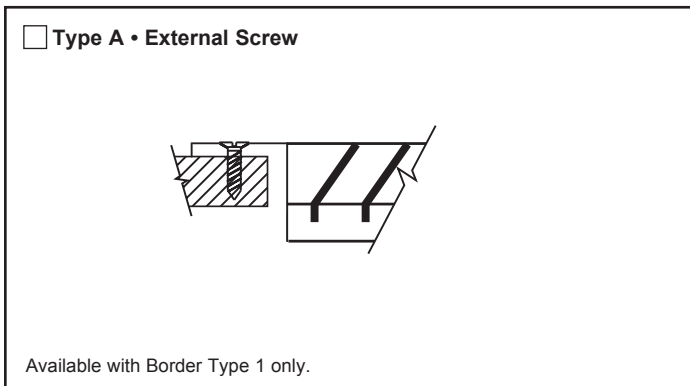
Louvered Return Grilles and Registers • Aluminum

Models: M355FL • 35° Deflection • Long Blades • 13mm Blade Spacing

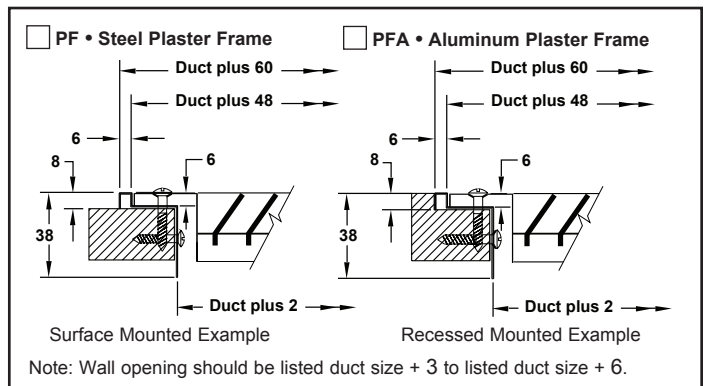
M355FS • 35° Deflection • Short Blades • 13mm Blade Spacing



Fastenings



Mounting Frames



Accessories (Optional) Check if provided

- Neck mounted opposed blade damper (galvanized steel)
- IS • Insect Screen (2mm square mesh – galvanized steel)
- DS • Debris Screen (6mm square mesh – galvanized steel)
- EQT • Earthquake tabs
- Other _____

Standard Finish: #26 White

Optional finish _____

General Description

- Available with louvers vertical or horizontal.
- Insect and debris screens are not available when dampers are fitted.
- Material: Aluminum.
- #8 x 32mm lg. Phillips flat head sheet metal screws painted white.
- All dimensions are ± 2mm.

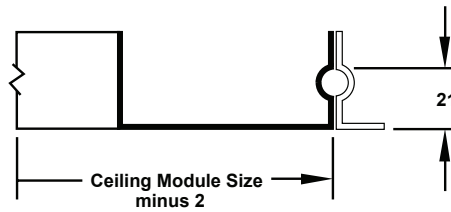


Note: This submittal is meant to demonstrate general dimensions of this product. The drawings on this submittal are not meant to detail every aspect of the product with exactness. Drawings are not to scale. TITUS reserves the right to make changes without written notice.
 605 Shiloh Road • Plano, Texas 75074 • 972-212-4800

MG-17.0-S

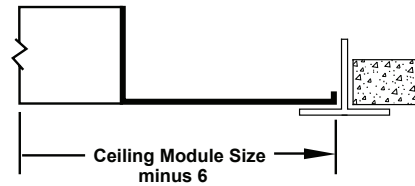
Optional Border Types Available

**Border Type 2 (Snap-in)
Panel Mounted**



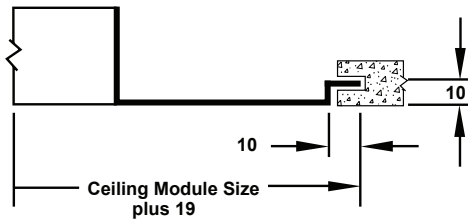
Available in 610 x 610 modules with neck sizes up to 509 x 509.

**Border Type 3 (Lay-in)
Panel Mounted**



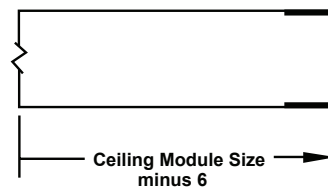
Available in all standard module sizes with neck sizes up to module size minus 51.

**Border Type 4 (Splined)
Panel Mounted**



Available in 610 x 610 modules with neck sizes up to 509 x 509.
Splines on 2 opposite sides only

Border Type 7 (Channel)



Available in sizes up to 1219 x 1219.

Border Type 2, 3, 4

• Accessories & Options

Check if provided

- MAG-15 • Neck mounted opposed blade damper (galvanized steel)
- IS • Insect Screen (2mm square mesh – galvanized steel)
- DS • Debris Screen (6mm square mesh – galvanized steel)
- EQT • Earthquake tabs
- Other _____

Standard Finish: #26 White

- Optional finish _____

Border Type 7

• Accessories & Options

Check if provided

- EQT • Earthquake tabs
- Other _____

Standard Finish: #26 White

- Optional finish _____