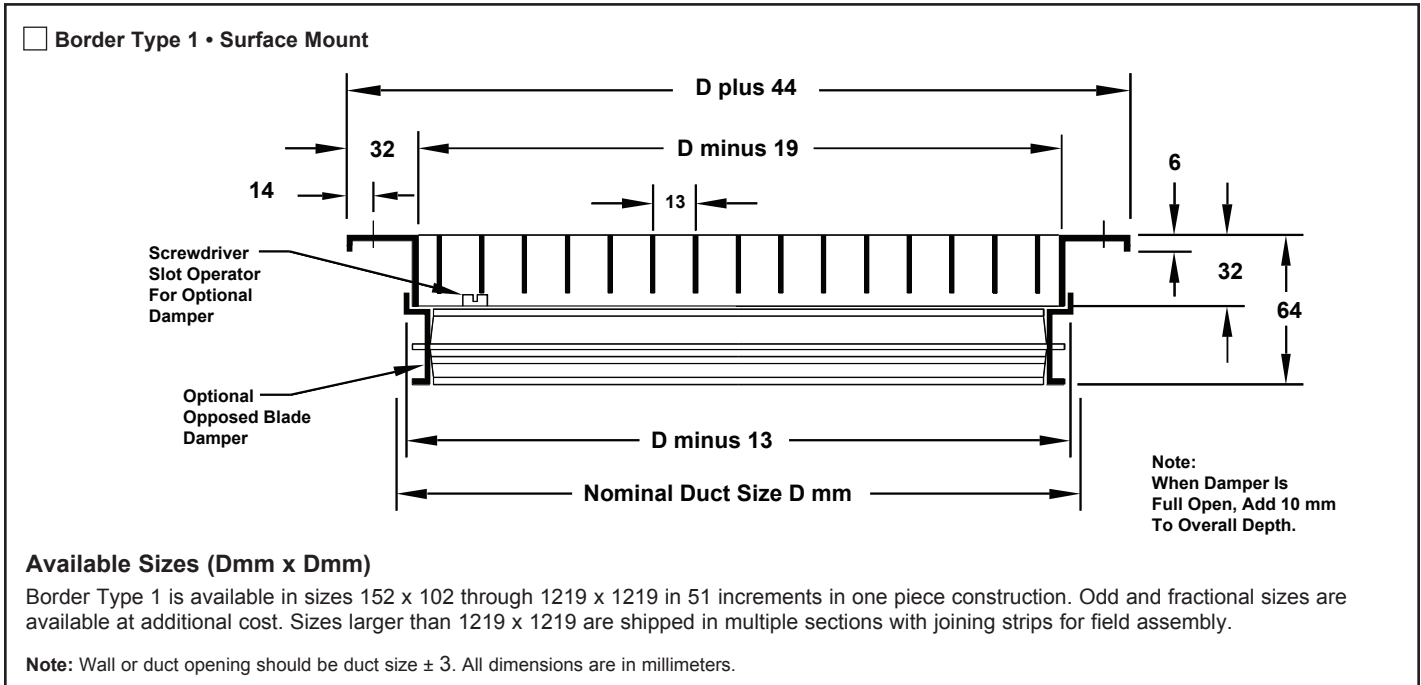


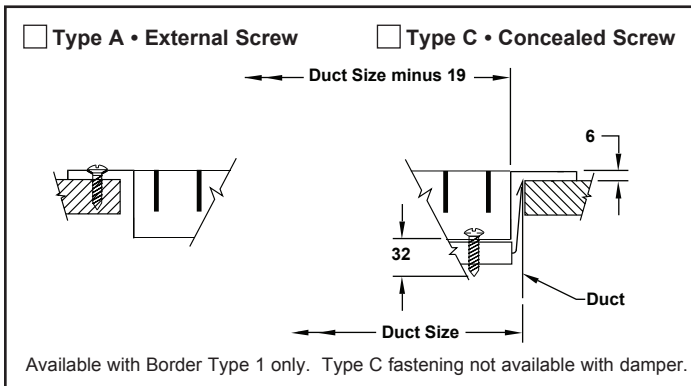
Louvered Return Grilles and Registers • Aluminum

Models: M355ZFL • 0° Deflection • Long Blades • 19mm Blade Spacing

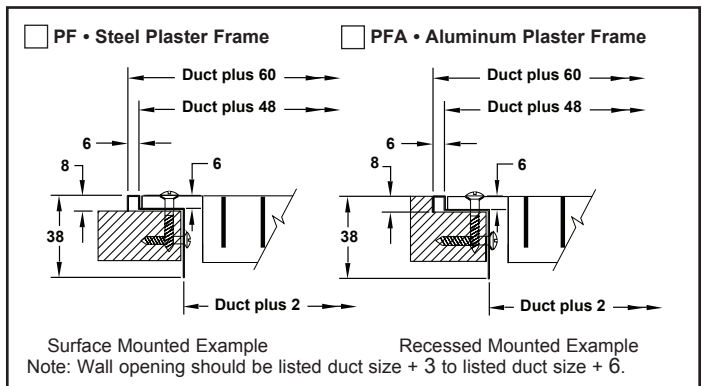
M355ZFS • 0° Deflection • Short Blades • 19mm Blade Spacing



Fastenings



Mounting Frames



Accessories & Options

Check if provided

- Neck mounted opposed blade damper (galvanized steel)
- IS • Insect Screen (2mm square mesh – galvanized steel)
- DS • Debris Screen (6mm square mesh – galvanized steel)
- EQT • Earthquake tabs
- Other _____

Standard Finish: #26 White

Optional finish _____

General Description

- Available with louvers vertical or horizontal.
- Material: Aluminum.
- All dimensions are ± 2 mm.
- Optional opposed blade damper has screwdriver adjustment accessible through face of register.
- #8 x 32mm lg. Phillips flat head sheet metal screws painted white.