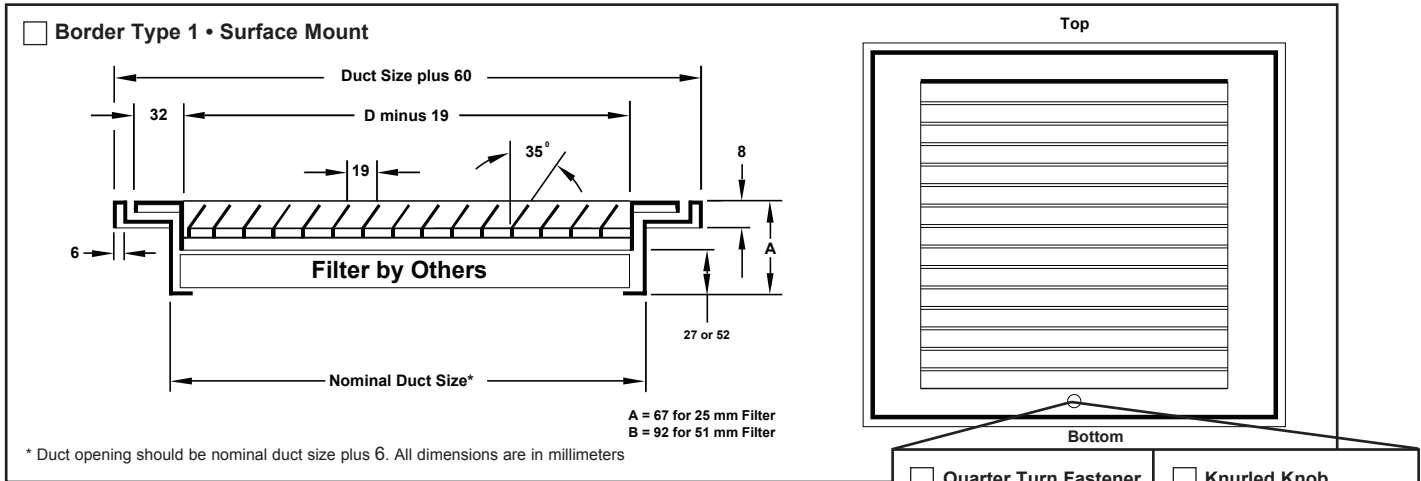


Louvered Return Filter Grille • Steel • 19 Blade Spacing

- Models: M350RLF1 • 35° Fixed Deflection • 25 Filter Frame • Long Blades
 M350RSF1 • 35° Fixed Deflection • 25 Filter Frame • Short Blades
 M350RLF2 • 35° Fixed Deflection • 51 Filter Frame • Long Blades
 M350RSF2 • 35° Fixed Deflection • 51 Filter Frame • Short Blades



Options

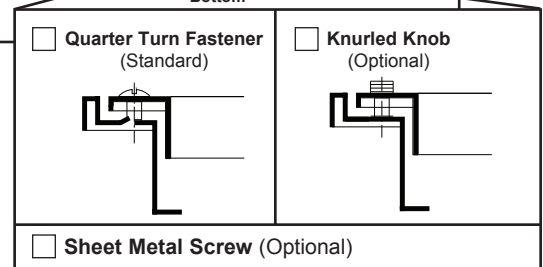
- Hinge location** Check if provided
- Hinged top
 - Hinged left
 - Hinged right
 - Hinged bottom
 - No hinge

Frame

Sizes 254 x 203 through 610 x 610 have 22 gauge roll formed frames. Sizes larger than 610 x 610 have heavy duty extruded frames.

Standard Finish:

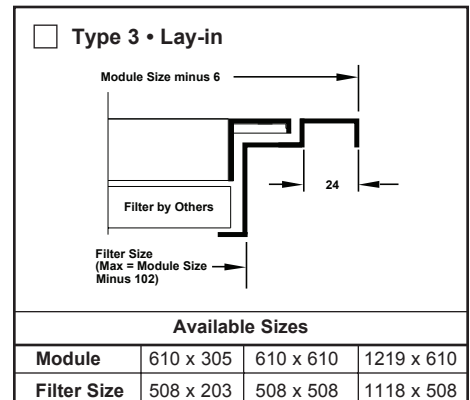
#26 White Other _____



Available Sizes & Common Filter Sizes: (Common filter sizes are shaded) (N/A = Not Available)

Height (mm)	Width (mm)																
	254	305	356	406	457	508	559	610	635	660	711	762	813	864	914	965	1016
203	X	X	X	X	X	X	X	X	N/A	X	X	X	X	X	X	X	X
254	X	X	X	X	X	X	X	X	X	X	X	X	X	X	X	X	X
305		X	X	X	X	X	X	X	X	X	X	X	X	X	X	X	X
356			X	X	X	X	X	X	X	X	X	X	X	X	X	X	X
381				N/A	N/A	N/A	N/A	N/A	X	N/A	N/A	X	N/A	N/A	N/A	N/A	N/A
406				X	X	X	X	X	X	X	X	X	X	X	X	X	X
457					X	X	X	X	X	X	X	X	X	X	X	X	X
508						X	X	X	X	X	X	X	X	X	X	X	X
610								X	N/A	X	X	X	X	X	X	X	X
635									X	N/A	N/A	N/A	N/A	N/A	N/A	N/A	N/A

Note: Filter by others.



General Description

- Series M350 filter grilles feature 20 gauge louvers spaced 19 apart.
- M350 models are available in common filter sizes. 25 thick filters may be purchased from hardware stores for the most common sizes.
- Blade deflection angle is 35°.
- Quarter turn fasteners are standard to make filter access easy.
- #8 x 32 lg. Phillips flat head sheet metal screws painted white.
- All dimensions are ± 2.