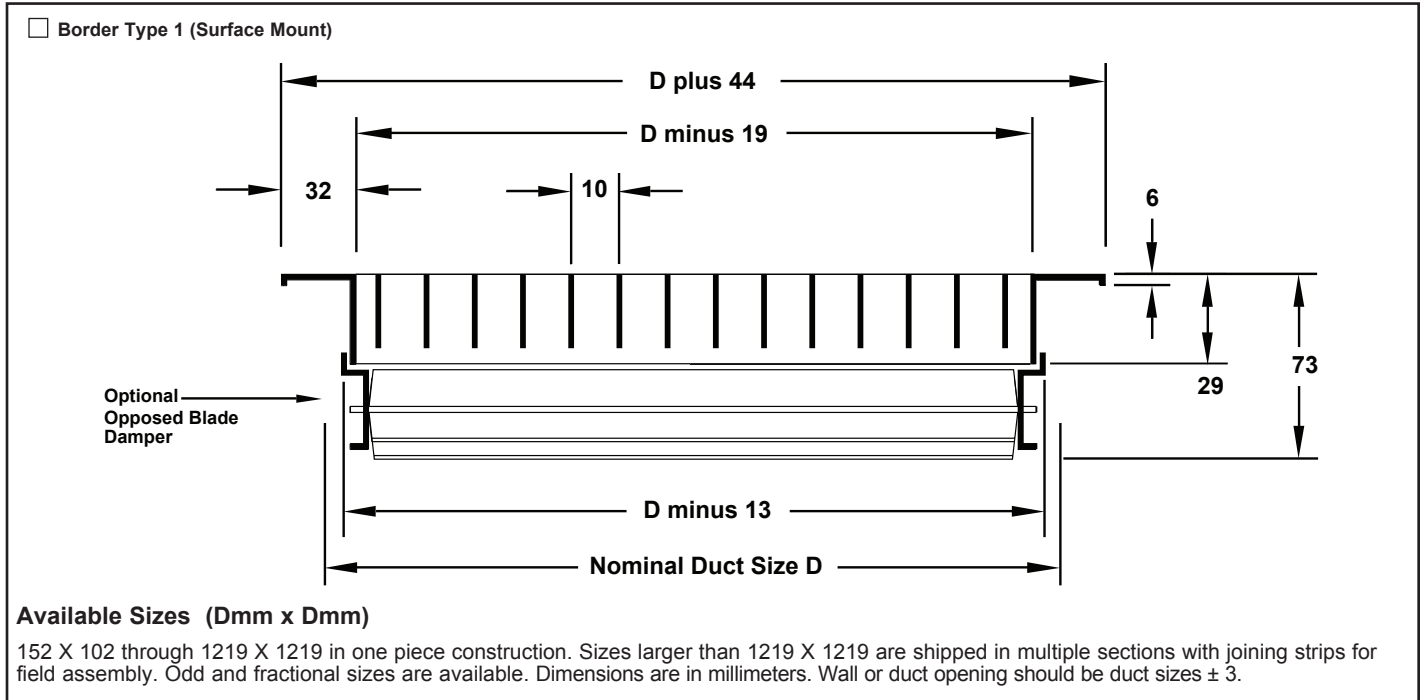


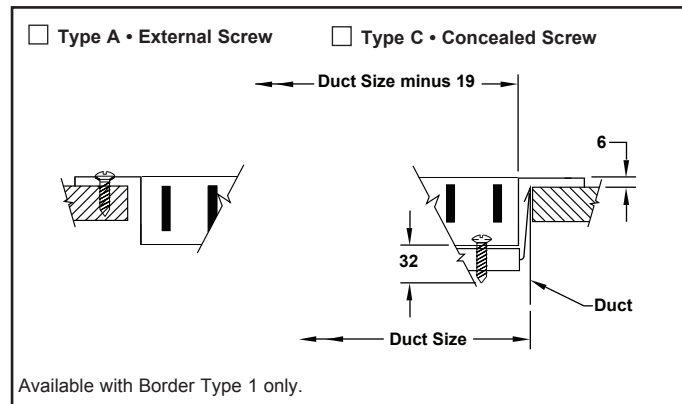
Bar Return • Heavy Duty Gym Grille

All Steel

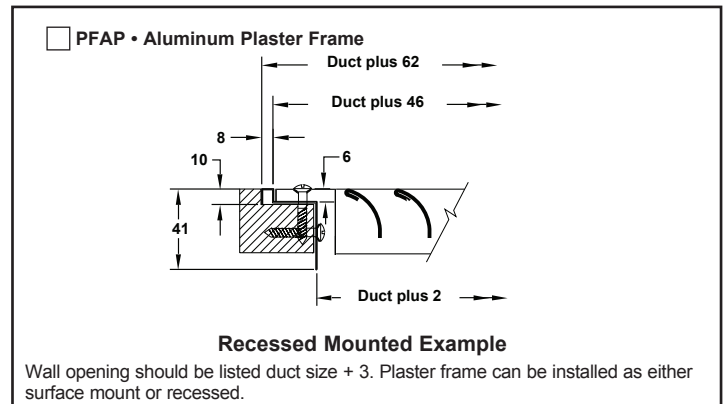
- Model: M30RL • 0° Deflection • Long Blades • 10mm Spacing
 M30RS • 0° Deflection • Short Blades • 10mm Spacing



Fasteners



Mounting Frames



Accessories (Optional) Check if provided

- Neck mounted opposed blade damper (galvanized steel) DS • Debris Screen (6mm square mesh – galvanized steel)
 IS • Insect Screen (2mm square mesh – galvanized steel) Other _____

Standard Finish: #26 White

- Optional finish _____

General Description

- Models M30RL and M30RS are for use in gymnasiums and other locations where an unusually strong, impact resistant return grille is required.
- One set of 0° fixed blades.
- Support bars 152mm on center.
- Optional opposed blade damper has slide adjustment accessible at face of register.
- Material is 16 gauge steel for border and 14 gauge steel for blades.