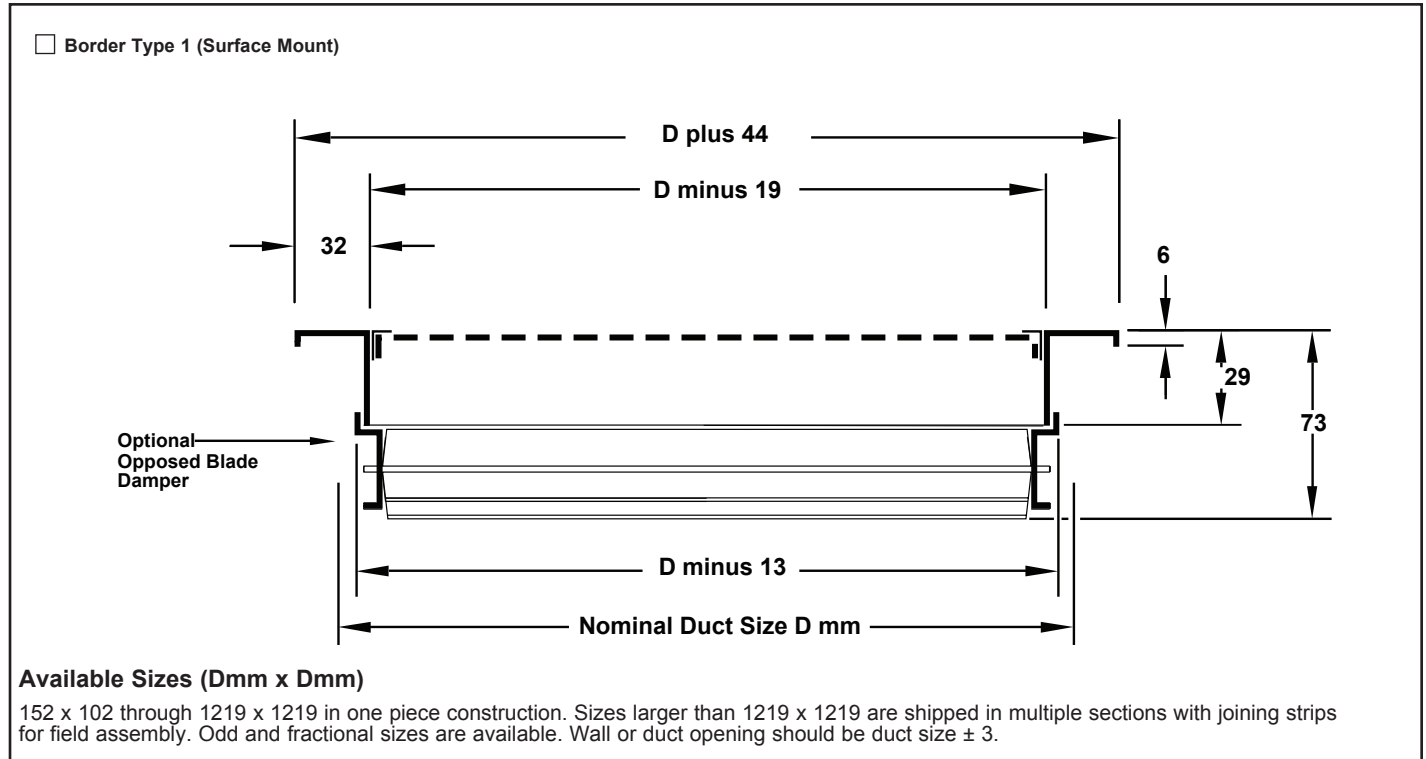
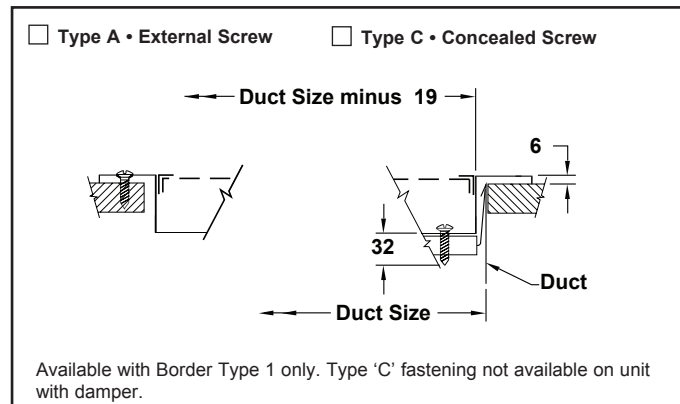


Perforated Return Grilles and Registers Steel Borders • Steel Perforated Face

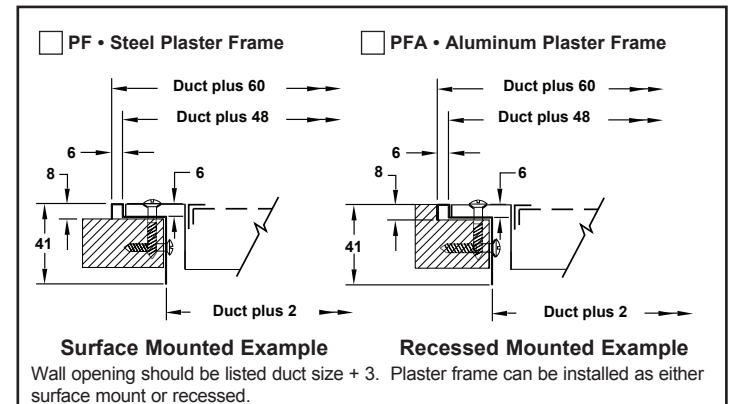
Model: M8R



Fasteners



Mounting Frames



Accessories (Optional) Check if provided

- | | |
|--|--|
| <input type="checkbox"/> Neck mounted opposed blade damper (galvanized steel) | <input type="checkbox"/> DS • Debris Screen (6mm square mesh – galvanized steel) |
| <input type="checkbox"/> IS • Insect Screen (2mm square mesh – galvanized steel) | <input type="checkbox"/> EQT • Earthquake tabs |
| | <input type="checkbox"/> Other _____ |

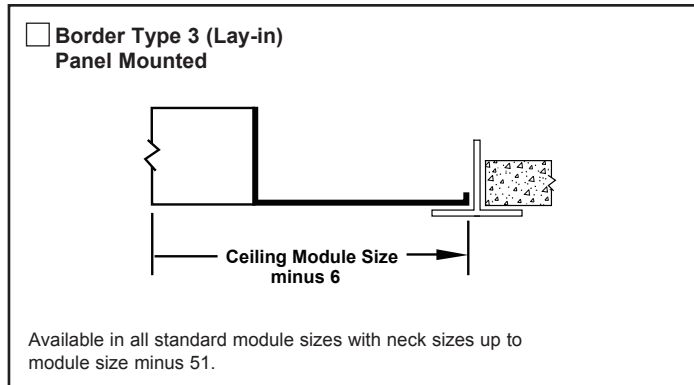
Standard Finish: #26 White

Optional finish _____

General Description

- Models M8R provides a smooth, perforated face that fits flush with the ceiling to blend with the room decor.
- 51% free area.
- Optional opposed blade damper has screw-driver adjustment accessible through face of register.
- Material is steel.

Optional Border Types Available



Border Type 3

• Accessories & Options

Check if provided

- Neck mounted opposed blade damper (galvanized steel)
- IS • Insect Screen (2mm square mesh – galvanized steel)
- DS • Debris Screen (6mm square mesh – galvanized steel)
- EQT • Earthquake tabs
- Other _____

Standard Finish: #26 White



Note: This submittal is meant to demonstrate general dimensions of this product. The drawings on this submittal are not meant to detail every aspect of the product with exactness. Drawings are not to scale. TITUS reserves the right to make changes without written notice.
605 Shiloh Road • Plano, Texas 75074 • 972-212-4800

MSPG-7.0-S