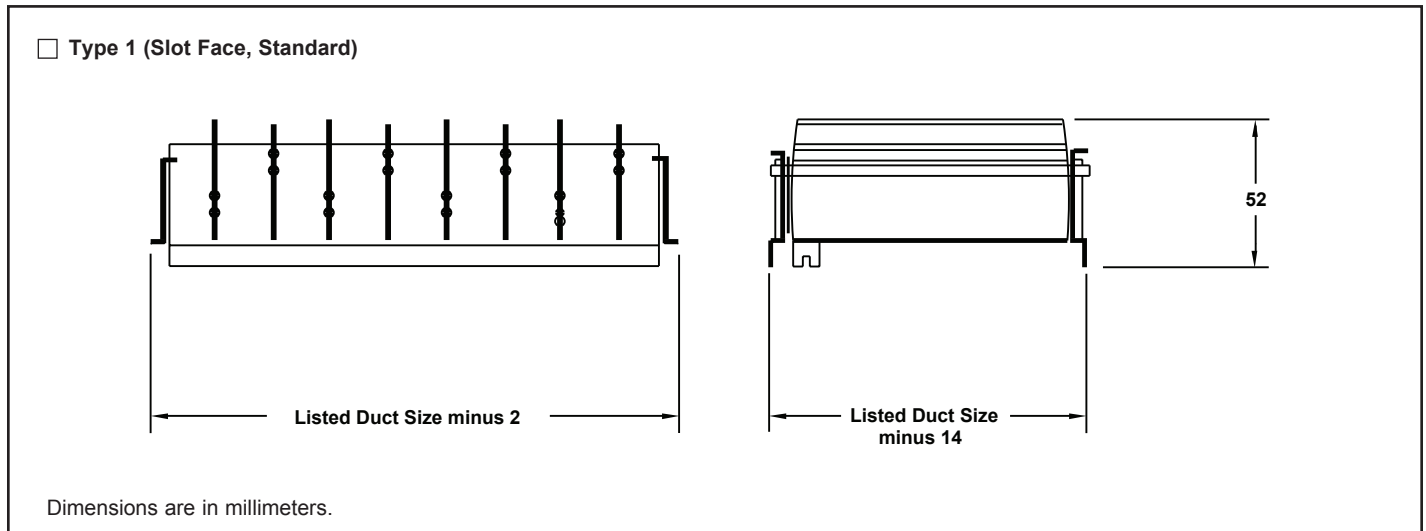
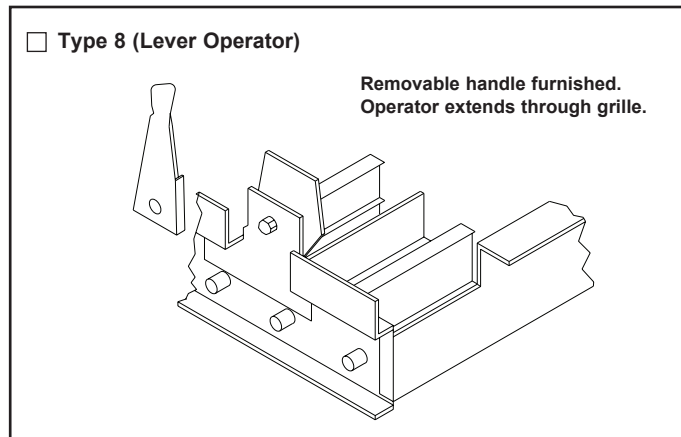


Air Balancing Devices Opposed Blade Dampers • Neck Mounted For Square and Rectangular Necks

Models: MAG-35



Additional Operator Type Check if provided



Available Sizes:

Sizes 152mm x 76mm to 1219mm x 1219mm

Standard Finish: Mill

General Description

- The TITUS MAG-35 can be specified for either factory or field installation on grille.
- Gang operated opposed blades meter air volume with minimal air disturbance.
- Slot-Face Operator (Type 1) is for supply grilles and Lever Operator (Type 8) is for return grilles.
- Material is galvanized steel.