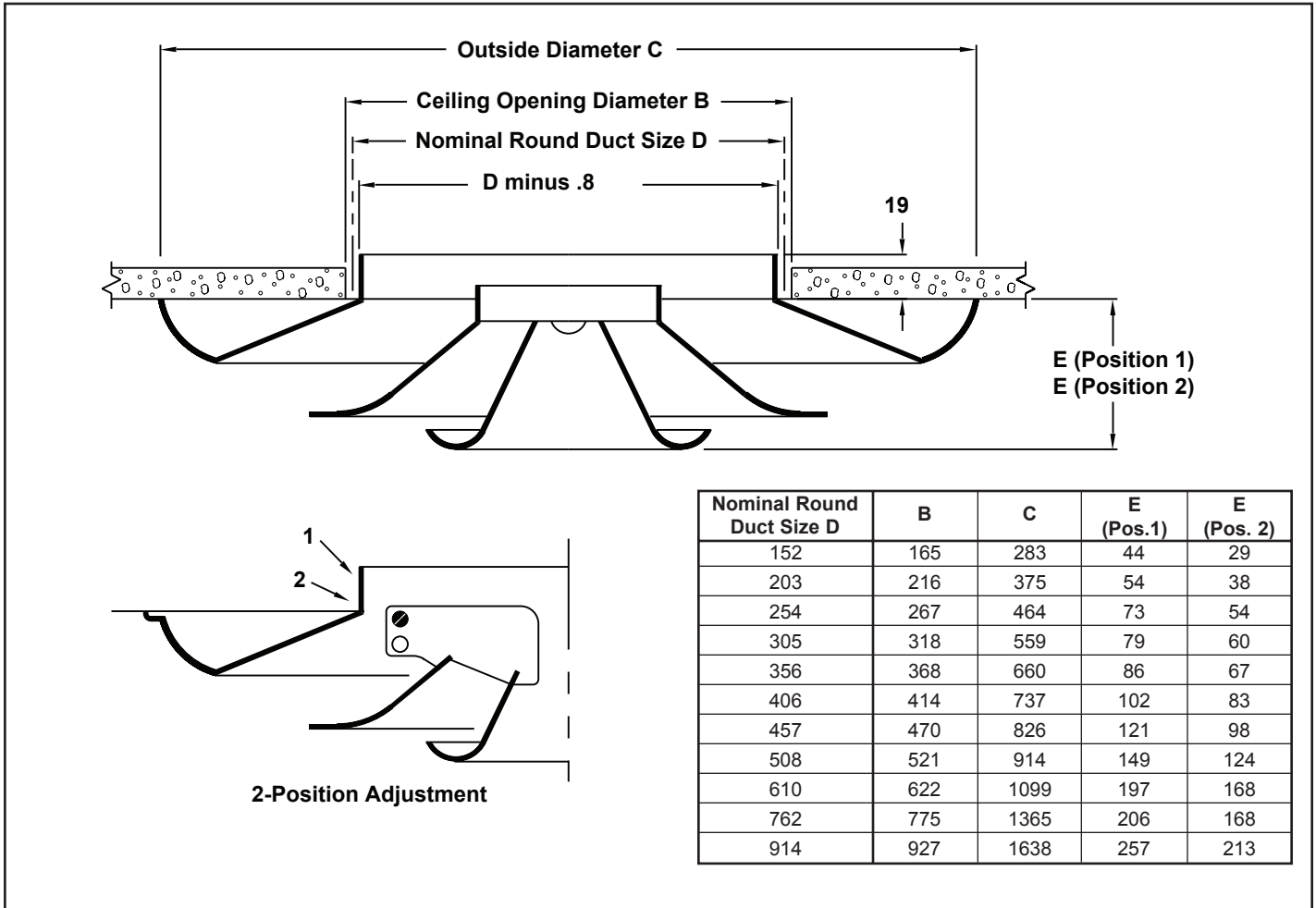


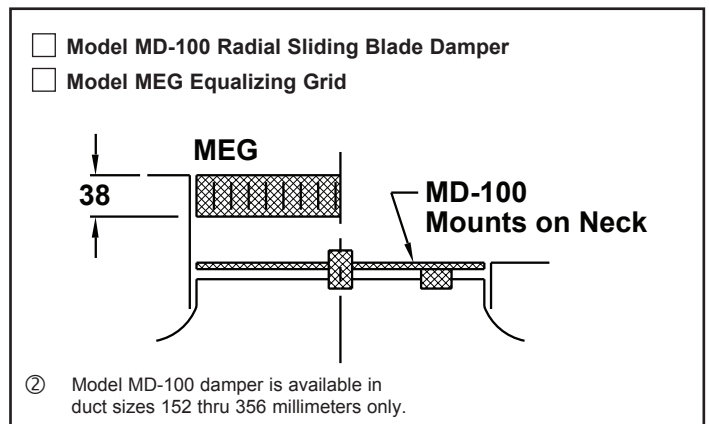
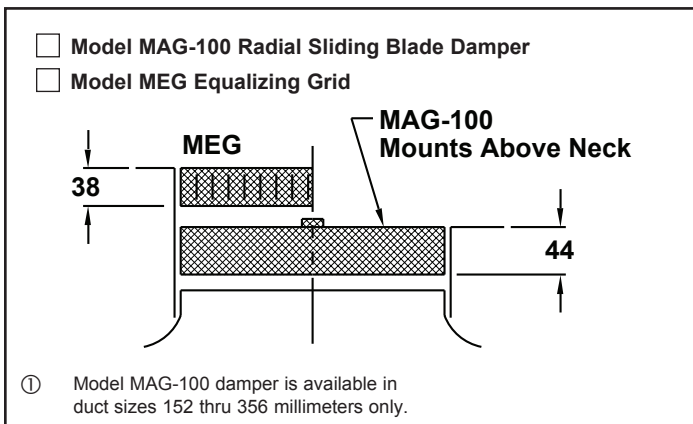
Round Ceiling Diffusers Steel

Model: MTMR • 2 Horizontal Discharge Patterns



Accessories (Optional)

Check if provided

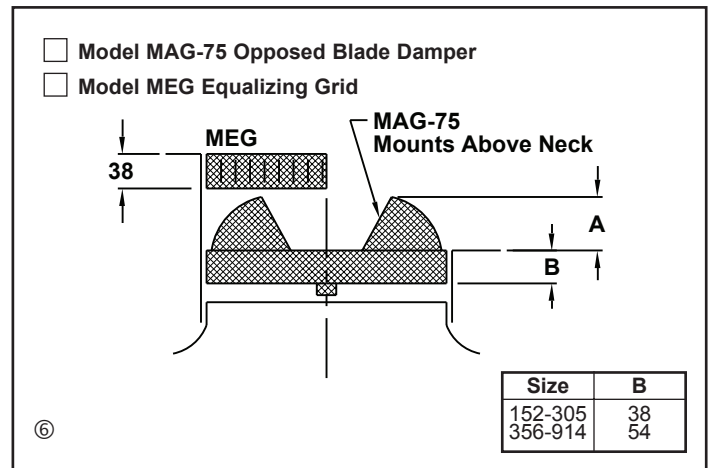
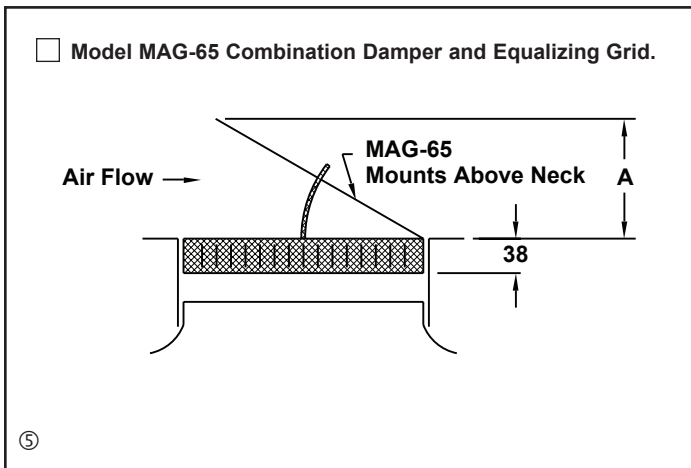
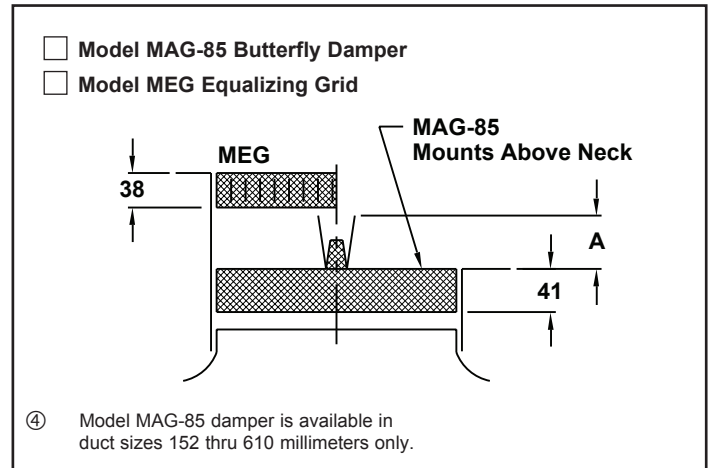
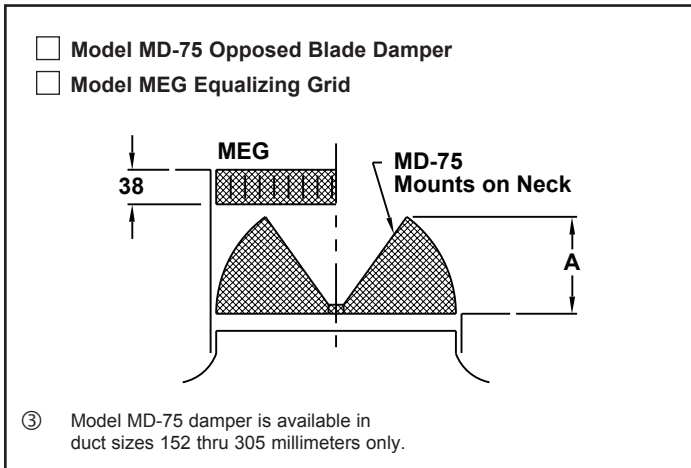


Dimensions are in millimeters.

(Please see reverse side.)

Accessories (Optional)

Continued Check if provided



Dimension "A" in millimeters, for Dampers Shown

Accessories	Nominal Round Duct Sizes										
	152	203	254	305	356	406	457	508	610	762	914
① MAG-100	—	—	—	—	—	N/A	N/A	N/A	N/A	N/A	N/A
② MD-100	—	—	—	—	—	N/A	N/A	N/A	N/A	N/A	N/A
③ MD-75	60	83	105	124	N/A	N/A	N/A	N/A	N/A	N/A	N/A
④ MAG-85	64	89	114	140	165	191	216	241	292	N/A	N/A
⑤ MAG-65	86	114	140	181	219	251	279	311	378	445	552
⑥ MAG-75	70	90	114	137	70	89	105	124	143	156	194

Notes ① and ② :

Model MAG-100 and MD-100 dampers have radial blades that slide in a horizontal plane. For that reason, no opening clearance "A" is dimensioned.

Other Accessories (Optional):

- Safety Chain
 Gasketing around outside edge

Standard Finish: #26 White

General Description

- Model MTMR round ceiling diffusers are designed for both heating and cooling applications.
- The horizontal discharge settings allow the diffuser to be adjusted for 2 different flow rate conditions. At Position 1, maximum capacity is obtained. At Position 2, induction is increased,

- and the noise level is increased by 1 NC above those shown in the catalog performance table.
- Uniform 360 degree discharge pattern.
- Excellent performance in variable air volume applications.

- Adjusted by removing the 2 inner cones as a unit and repositioning 6 screws.
- Spring lock allows easy removal and replacement of the 2 inner cones.
- Material is steel.



Note: This submittal is meant to demonstrate general dimensions of this product. The drawings on this submittal are not meant to detail every aspect of the product with exactness. Drawings are not to scale. TITUS reserves the right to make changes without written notice.
 605 Shiloh Road • Plano, Texas 75074 • 972-212-4800

MD-7.0-S