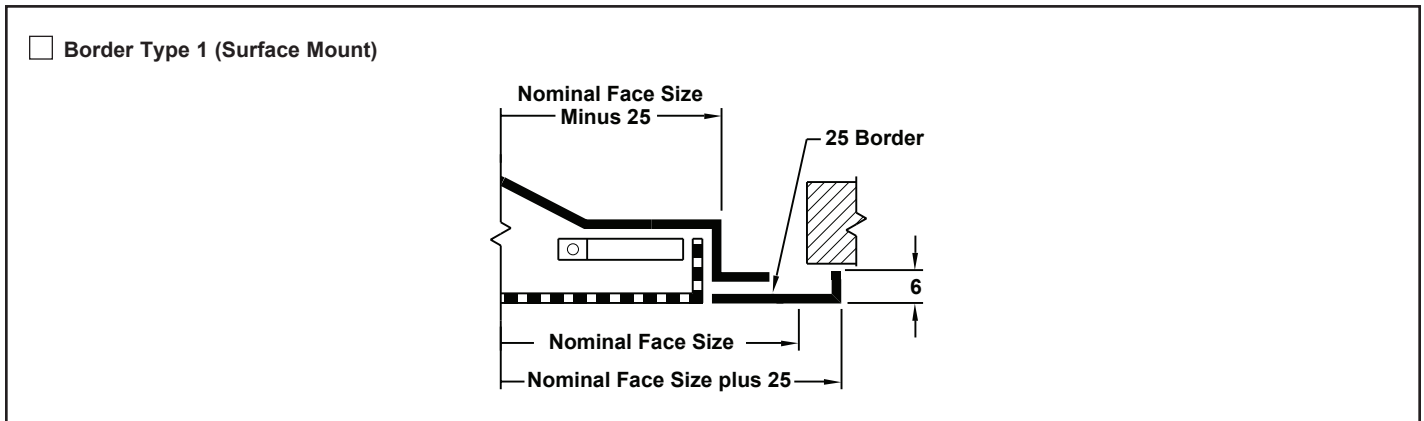
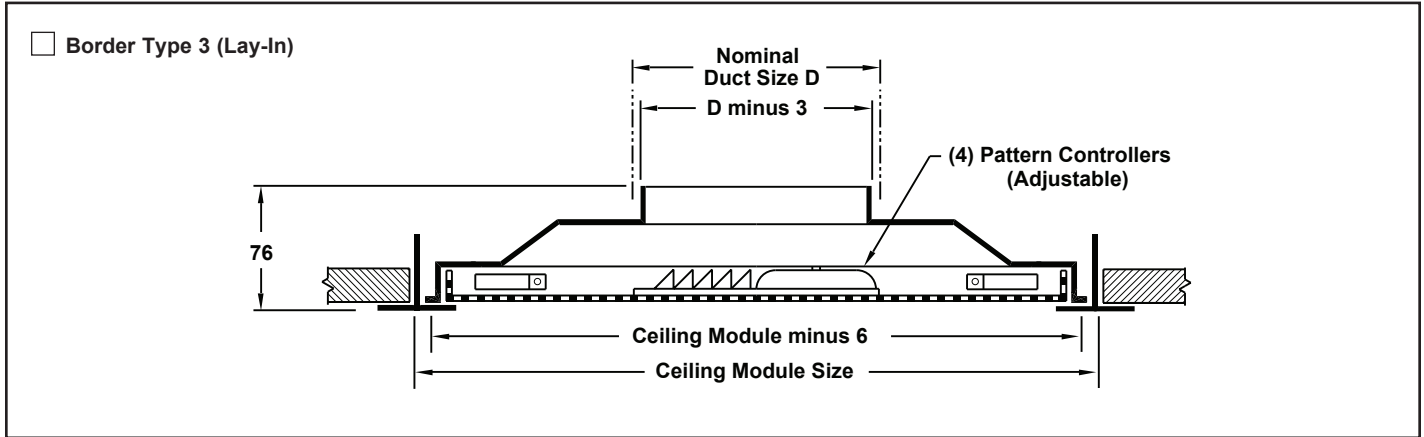


## Perforated Ceiling Diffusers Steel • Flush Face

Model: MPAS • Supply • 1, 2, 3, or 4 Way Adjustable Discharge Pattern



Available Sizes for Border Types 1, 2, 3, 4, 4SL

Face or Ceiling Module Size	Nominal Duct Size D												
	152 x 152	203 x 203	254 x 254	305 x 305	381 x 381	457 x 457	457 x 152	152 Dia.	203 Dia.	254 Dia.	305 Dia.	355 Dia.	406 Dia.
305 x 305	•							•					
600 x 305	•						•	•					
406 x 406	•	•						•	•	•			
508 x 508	•	•	•					•	•	•	•	•	
600 x 600	•	•	•	•	•	•		•	•	•	•	•	•
1219 x 600	•	•	•	•				•	•	•	•	•	•

• Indicates available combination

All dimensions are in millimeters.

## Removing Perforated Face

1. Lift diffuser up above grid.
2. Insert small screwdriver or other slim instrument to push latch inward from border.
3. Repeat on opposite side.
4. Face will now swing down with 2 remaining latches acting as hinges. For complete removal, release 2 remaining latches as at left.

## Adjusting Pattern Controllers

**Note:** Diffusers are shipped with 4-way setting. Patterns can be adjusted before or after installation.

## Accessories (Optional) for Round Neck

Check  if provided

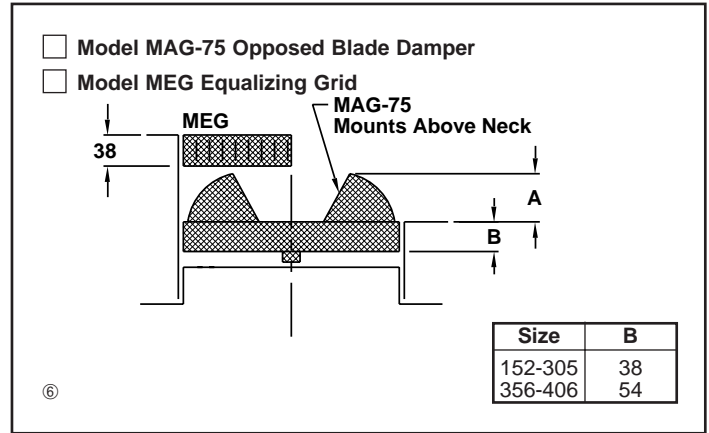
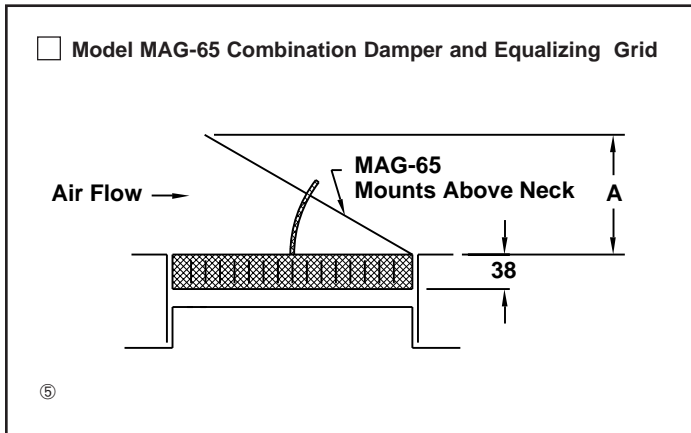
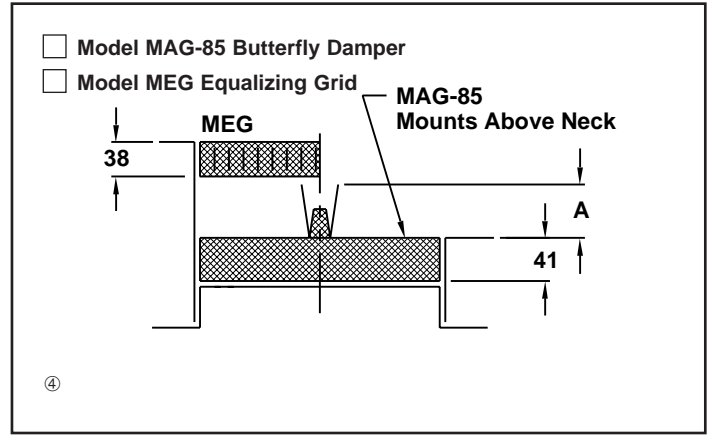
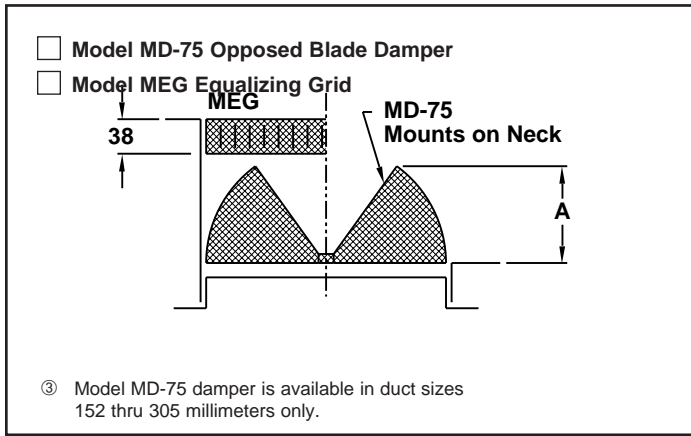
- Model MAG-100 Radial Sliding Blade Damper
- Model MEG Equalizing Grid

① Model MAG-100 damper is available in duct sizes 152 thru 356 millimeters only.

- Model MD-100 Radial Sliding Blade Damper
- Model MEG Equalizing Grid

② Model MD-100 damper is available in duct sizes 152 thru 356 millimeters only.

## Accessories (Optional) for Round Neck, continued



Dimension "A" in millimeters, for Dampers Shown Above

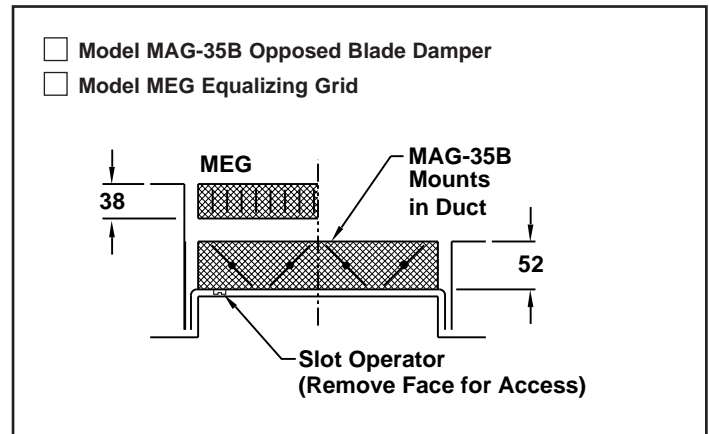
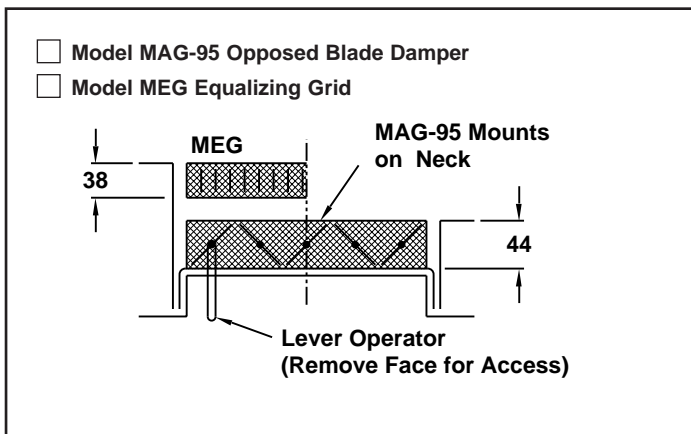
Accessories	Nominal Round Duct Sizes					
	152	203	254	305	356	406
① AG-100	—	—	—	—	—	N/A
② D-100	—	—	—	—	—	N/A
③ D-75	60	83	105	124	N/A	N/A
④ AG-85	64	89	114	140	165	191
⑤ AG-65	86	114	140	181	219	251
⑥ AG-75	108	130	152	175	70	89

Notes ① and ② :

Model MAG-100 and MD-100 dampers have radial blades that slide in a horizontal plane. For that reason, no opening clearance "A" is dimensioned.

## Accessories (Optional) for Rectangular Neck

Check  if provided

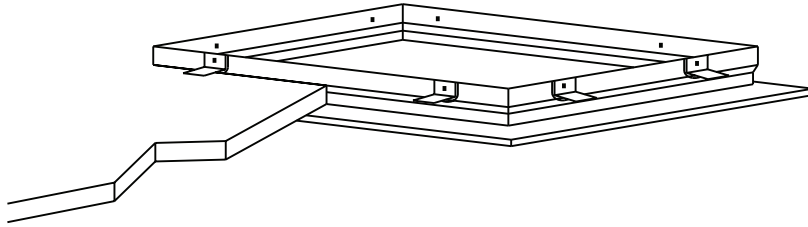


Dimensions are in millimeters.

Submittal MD-MPAS 2-28-13  
Accessories (Optional)

Check  if provided

MTRM TITUS Rapid Mount Frame



For Surface Mounting Border Type 3

**Standard Finish:** #26 White

## General Description

- Model MPAS flush face perforated ceiling diffusers are designed to provide a uniform circular pattern.
- Excellent performance in variable air volume systems.
- A tight, uniform horizontal blanket of air protects the ceiling against smudging.
- Discharge pattern can be adjusted to vertical as well as to 1, 2, 3 or 4 way horizontal. Can be adjusted before or after installation.
- Discharge pattern is adjusted by dropping the perforated face (see Page 2) and rotating the pattern controllers.
- Dropping the perforated face also gives access for adjusting the optional dampers.
- Perforated face has 5mm diameter holes on 6mm staggered centers.
- Inlet collar is approximately 38mm deep to allow easy duct connection.
- Material is heavy gauge steel.



Note: This submittal is meant to demonstrate general dimensions of this product. The drawing on this submittal are not meant to detail every aspect of the product with exactness. Drawings are not to scale. TITUS reserves the right to make changes without written notice.

605 Shiloh Road • Plano, Texas 75074 • 972-212-4800

MD-13.0-S