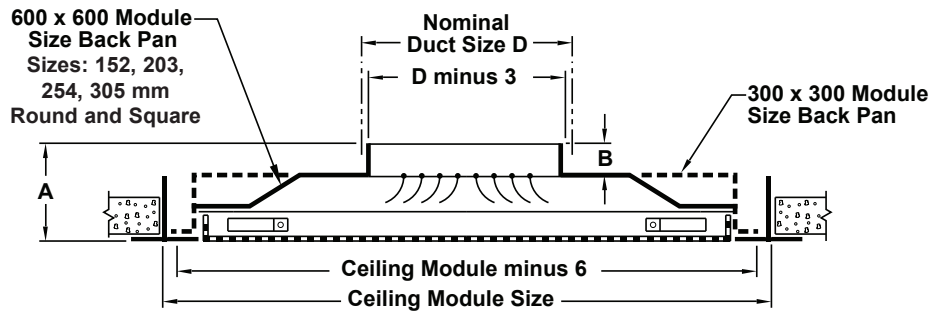


Perforated Ceiling Diffusers Aluminum • Flush Face • Curved Blade

Model: MPCS-AA • Supply • 4-Way Adjustable Discharge Pattern

Border Type 3 (Lay-In)



Face or Module Size	Neck Size	Dimension A	Dimension B
300 x 300	152	102	51
300 x 300	152 x 152	86	35
600 x 600	152, 203	83	25
	254, 305	95	38
600 x 600	152 x 152, 203 x 203	95	38
	254 x 254, 305 x 305	95	38

Note: Shaded neck sizes indicate the die-stamped backpan shown above is used. The square backpan is used for all other neck sizes.

Available Sizes for Border Types 3

Face or Ceiling Module Size	Nominal Duct Size D							
	152 x 152	203 x 203	254 x 254	305 x 305	152 Dia.	203 Dia.	254 Dia.	305 Dia.
300 x 300	•				•			
600 x 600	•	•	•	•	•	•	•	•

• Indicates available combination

All dimensions are in millimeters.

Note: Shaded neck sizes indicate the die-stamped backpan shown above is used. The square backpan is used for all other neck sizes.

Removing Perforated Face

- Lift diffuser up above grid.
- Insert small screwdriver or other slim instrument to push latch inward from border.
- Repeat on opposite side.
- Face will now swing down with 2 remaining latches acting as hinges. For complete removal, release 2 remaining latches as at left.

Adjusting Pattern Controllers

Round Neck • 4-Way (Standard)

Square Neck • 4-Way (Standard)

The pattern deflector in the neck of the diffuser consists of individually adjustable blades. These blades vary the discharge pattern from full horizontal to vertical and also damper the air volume.

The standard Model PCS diffuser has a 4-Way discharge pattern. Also available are:

- 1-Way
- 2-Way Opposite
- 2-Way Corner
- 3-Way

Tension wire holds blades in position after pattern has been adjusted.

Individually adjustable curved blades.

Accessories (Optional) for Round Neck

Check if provided

- Model MAG-100 Radial Sliding Blade Damper
- Model MEGT Equalizing Grid

MAG-100 Mounts Above Neck

① Model MAG-100 damper is available in duct sizes 152 thru 356 millimeters only.

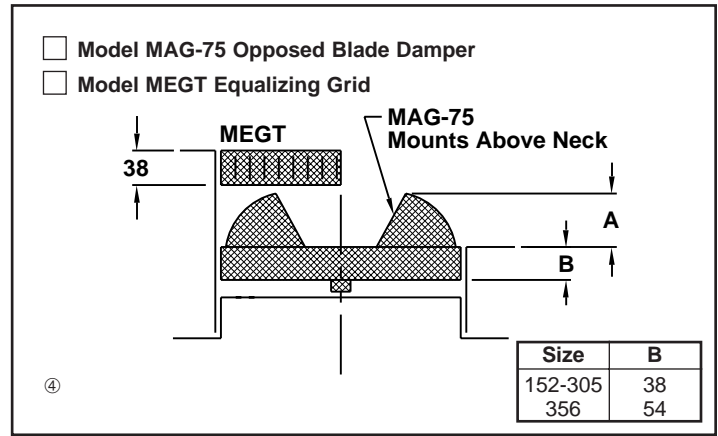
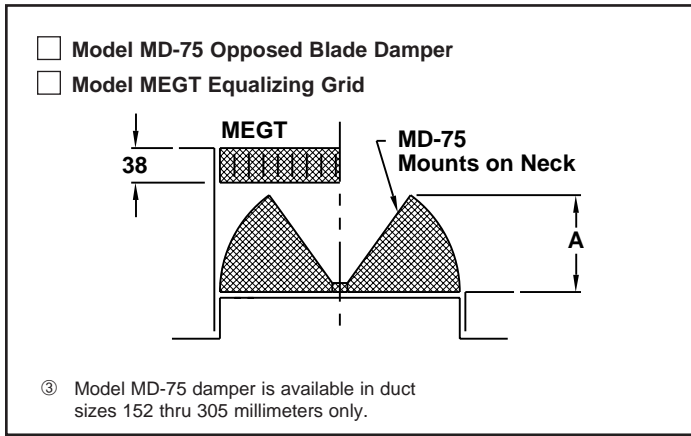
- Model MD-100 Radial Sliding Blade Damper
- Model MEGT Equalizing Grid

MD-100 Mounts on Neck

② Model D-100 damper is available in duct sizes 152 thru 356 millimeters only.

All dimensions are in millimeters.

Accessories (Optional) for Round Neck, Continued



Dimension "A" in Inches, for Dampers Shown Above

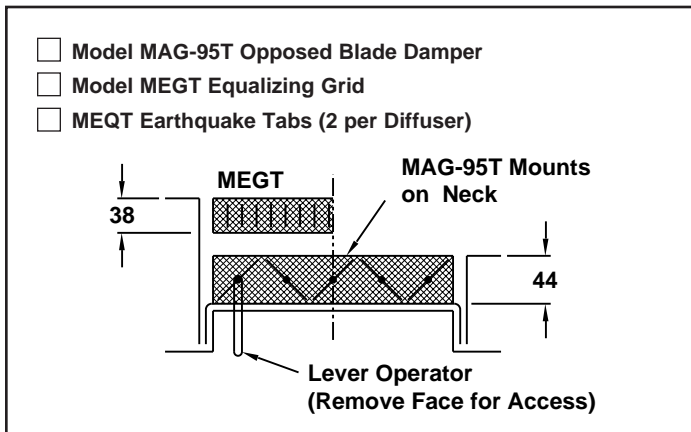
Accessories	Nominal Round Duct Sizes				
	152	203	254	305	356
① MAG-100	—	—	—	—	—
② MD-100	—	—	—	—	—
③ MD-75	60	83	105	124	N/A
④ MAG-75	108	130	152	175	70

Notes ① and ② :

Model MAG-100 and MD-100 dampers have radial blades that slide in a horizontal plane. For that reason, no opening clearance "A" is dimensioned.

Accessories (Optional) for Rectangular Neck

Check if provided



Accessories	Nominal Rectangular Duct Sizes			
	152 x 152	203 x 203	254 x 254	305 x 305
<input type="checkbox"/> MAG-95T	•	•	•	•
<input type="checkbox"/> MEGT	•	•	•	•
<input type="checkbox"/> MEQT	•	•	•	•

Accessories (Optional)

Check if provided

Standard Finish: #26 White

General Description

- Model MPCS-AA flush face perforated ceiling diffusers are designed to maximize throw.
- Excellent performance in variable air volume systems.
- Discharge pattern can be adjusted from horizontal to vertical. Can be adjusted before or after installation.
- Discharge pattern is easily adjusted by dropping the perforated face (see Page 2) and adjusting the curved blades.
- Dropping the perforated face also gives access for adjusting the optional dampers.
- Perforated face has 5 mm diameter holes on 6 mm staggered centers.
- Inlet collar is approximately 38 mm deep to allow easy duct connection.
- Material is heavy gauge aluminum face with steel backpan.



Note: This submittal is meant to demonstrate general dimensions of this product. The drawing on this submittal are not meant to detail every aspect of the product with exactness. Drawings are not to scale. TITUS reserves the right to make changes without written notice.
605 Shiloh Road • Plano, Texas 75074 • 972-212-4800

MD-28.0-S