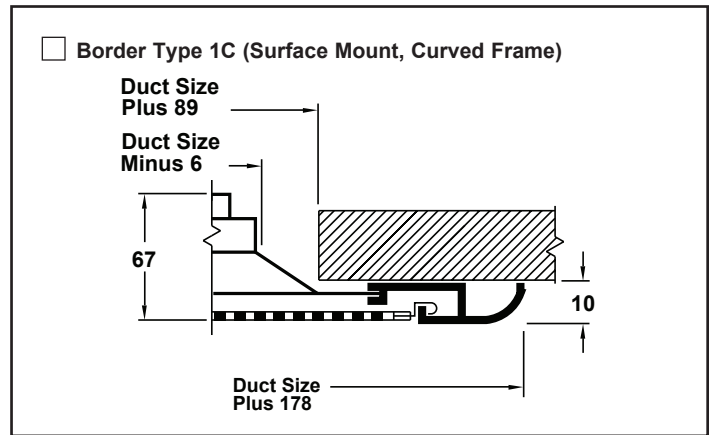
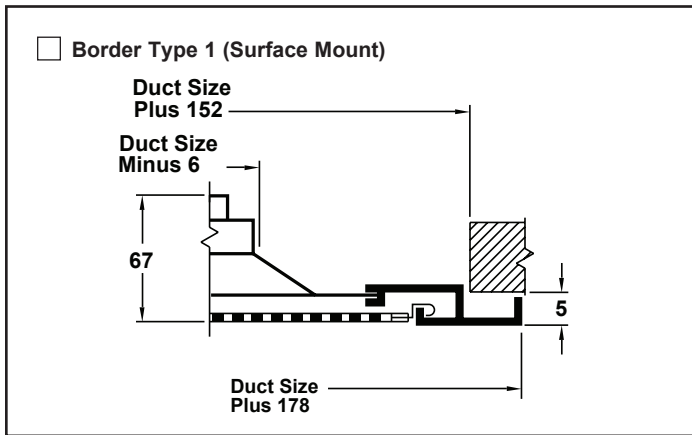
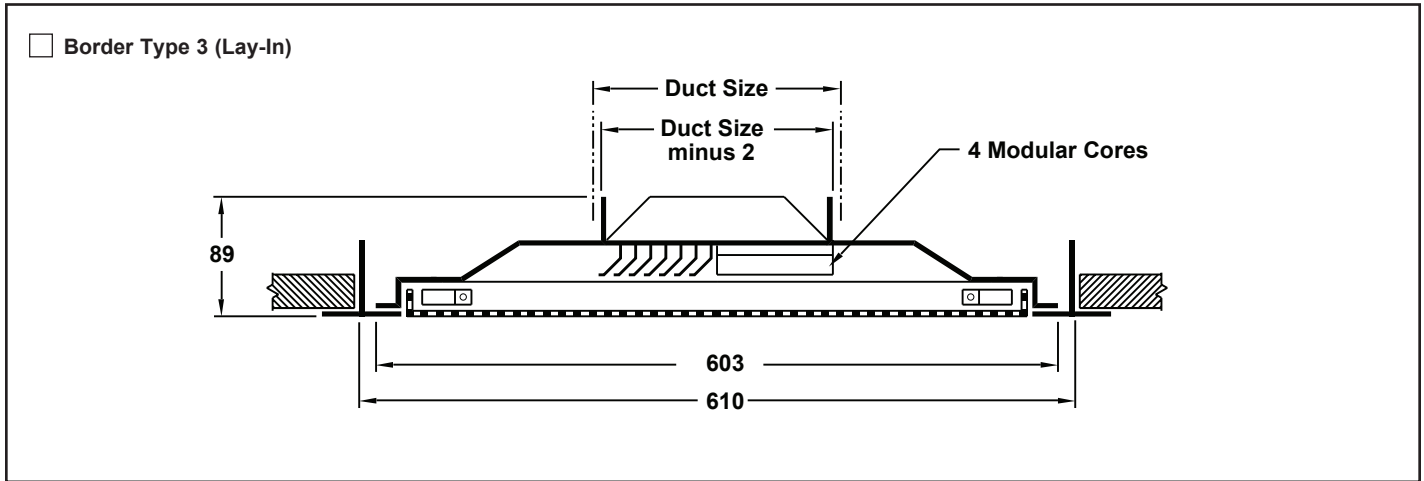


Perforated Ceiling Diffusers

Steel • Flush Face • Modular Core

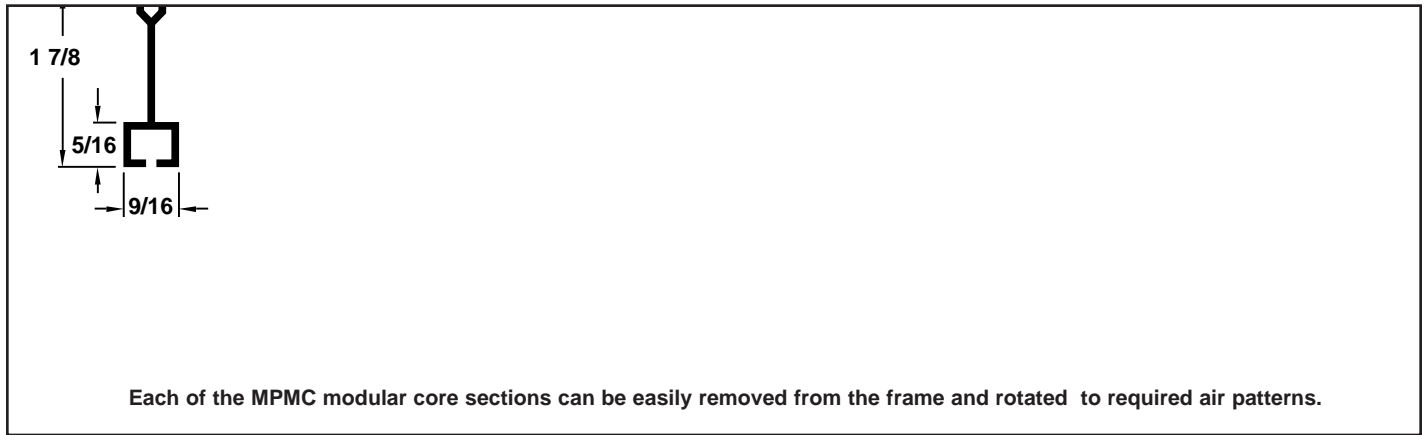
Model: MPMC • Supply • 1, 2, 3 or 4 Way Adjustable Discharge Pattern



Available Duct Sizes

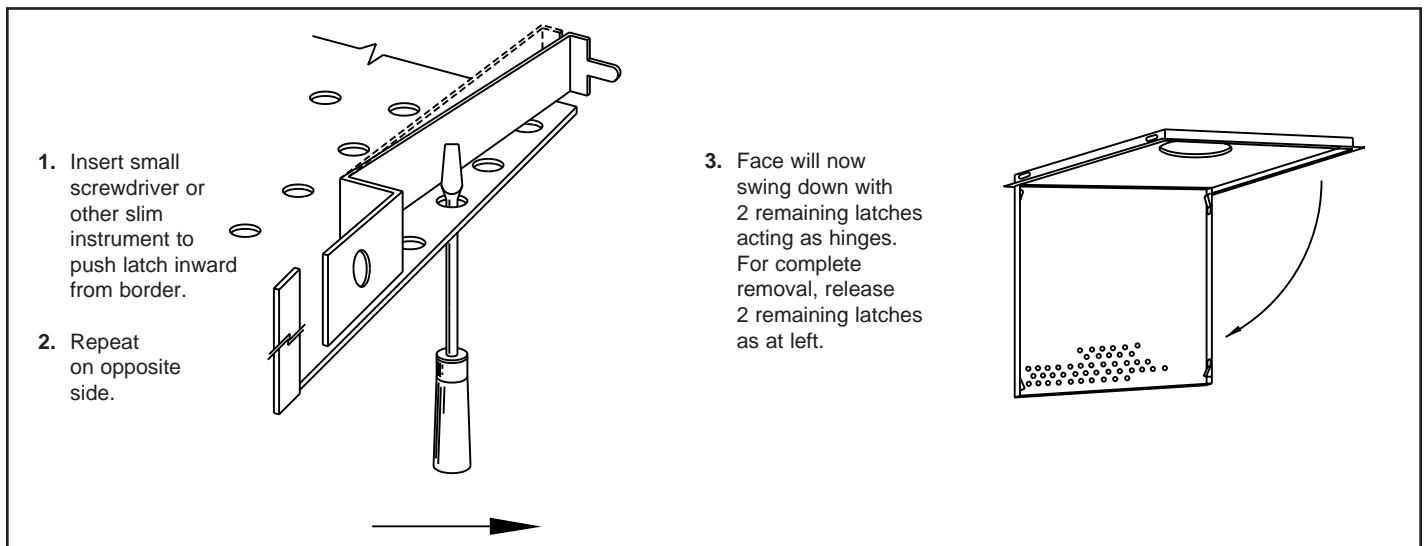
Border Type 1, 3, and 1C	
Duct Size	
152 x 152	305 x 305
203 x 203	356 x 356
254 x 254	381 x 381

Modular Core Adjustments



All dimensions are in millimeter.

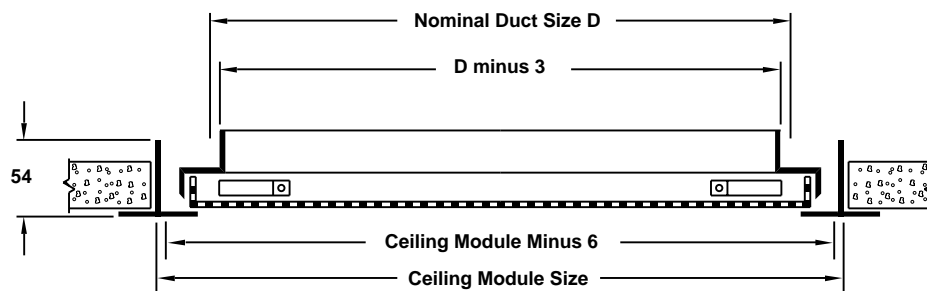
Removing Perforated Face (Border Type 3)



Accessories (Optional)

Check if provided

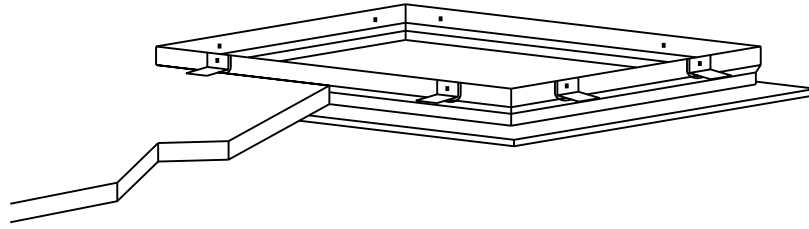
Model MAG-40 Opposed Blade Damper



Accessories (Optional)

Continued Check if provided

MTRM TITUS Rapid Mount Frame



For Surface Mounting Border Type 3

Standard Finish: #26 White

General Description

- Model MPMC perforated modular core diffuser is extremely flexible and can be adjusted for a 1, 2, 3 or 4 way air pattern after it has been installed.
- The perforated face provides the architectural advantages of blending the diffuser into the ceiling system and at the same time offering the performance of the modular core diffuser for variable air volume applications.
- Perforated face has 5 diameter holes on 6 staggered centers.
- Model MPMC is shipped with modular cores set for a 4 way throw.
- The perforated face discourages unwanted tampering with the air pattern by providing a barrier to the modular cores.
- Model MPMC diffuser maintains a horizontal flow pattern from maximum to minimum cfm, making it an excellent choice for VAV applications.
- Optional MAG-40 opposed blade damper is accessible by opening the perforated face and removing a modular core.
- Material: Perforated face, modular core, and backpan are steel.



Note: This submittal is meant to demonstrate general dimensions of this product. The drawing on this submittal are not meant to detail every aspect of the product with exactness. Drawings are not to scale. TITUS reserves the right to make changes without written notice.
605 Shiloh Road • Plano, Texas 75074 • 972-212-4800

MD-24.0-S