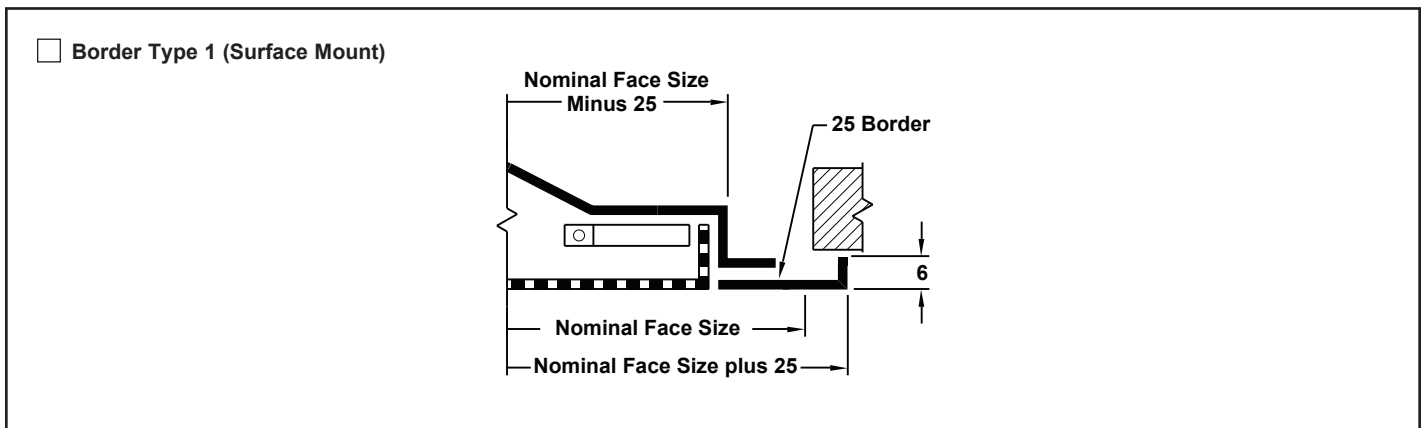
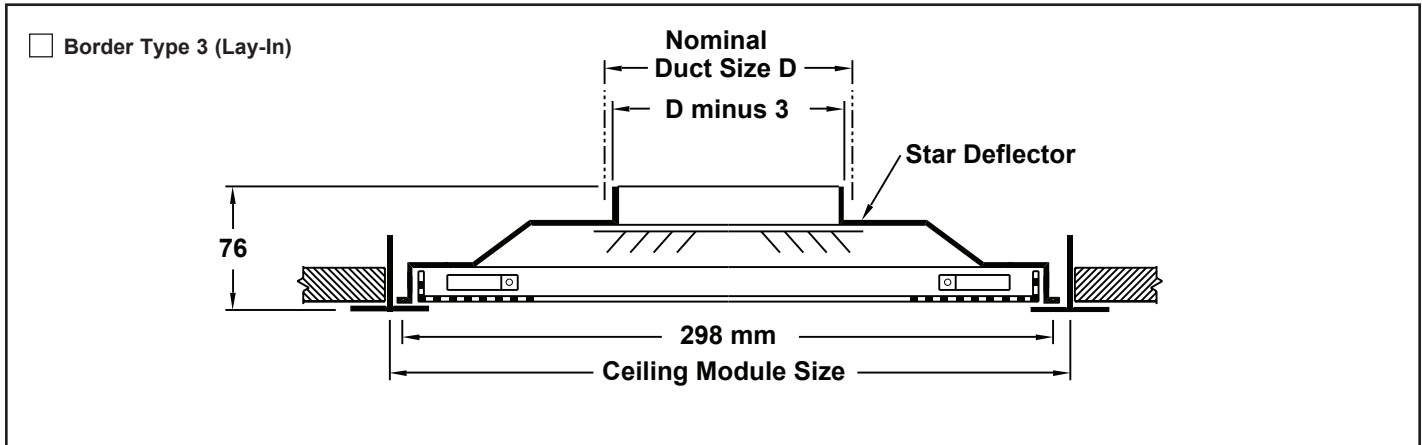


Perforated Ceiling Diffusers Steel • Flush Face

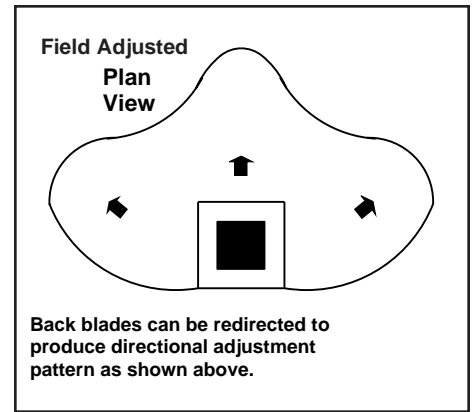
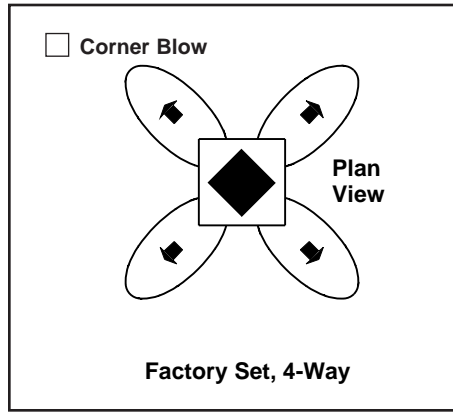
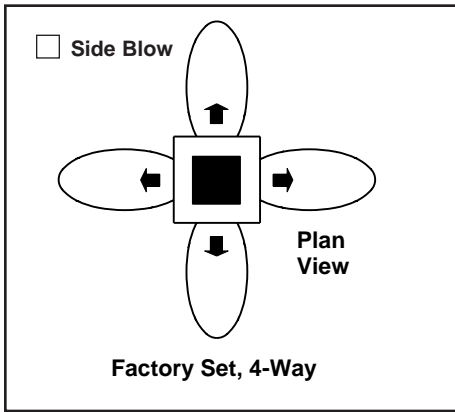
Model: MPSS • Supply • Star Pattern



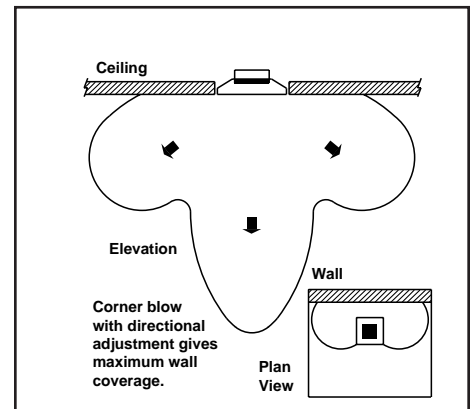
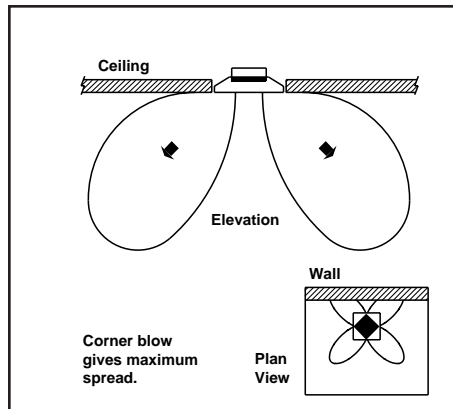
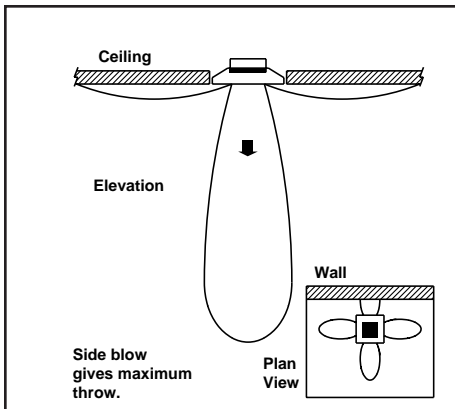
Available Sizes for Border Types 1 305 x 305; 610 x 610 (Border 3 only 600 x 600)

Face or Ceiling Module Size	Nominal Duct Size D									
	152 x 152	203 x 203	254 x 254	305 x 305	152 Dia.	203 Dia.	254 Dia.	305 Dia.	356 Dia.	406 Dia.
305 x 305	•				•					
600 x 600	•	•	•	•	•	•	•	•	•	•
610 x 610	•	•	•	•	•	•	•	•	•	•

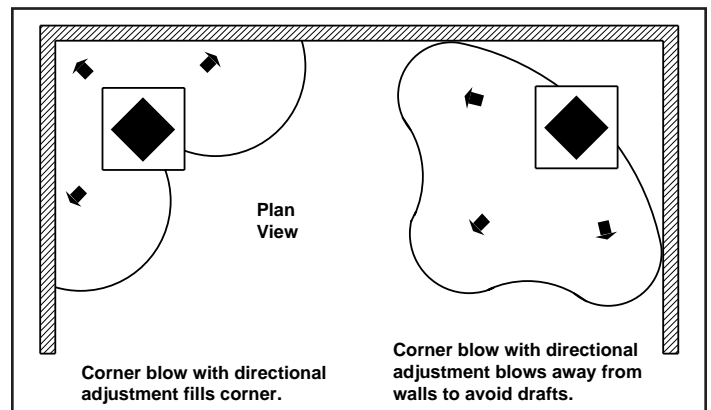
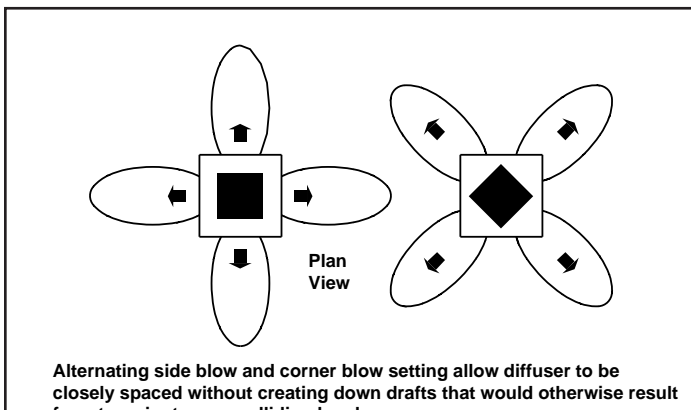
Available Discharge Patterns



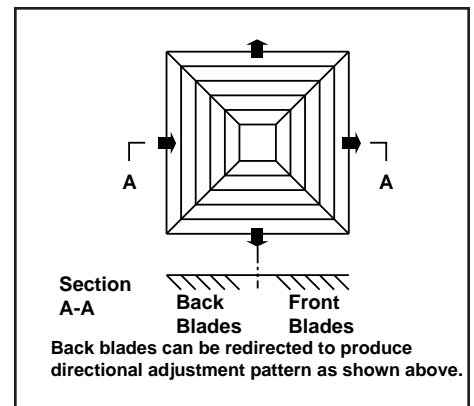
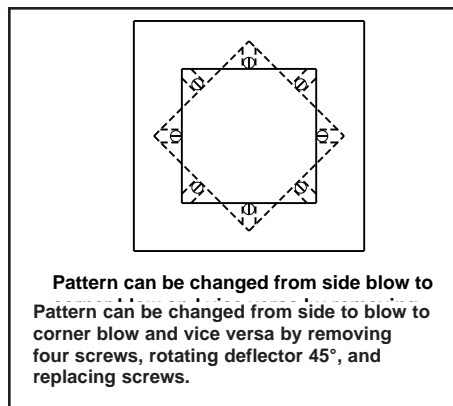
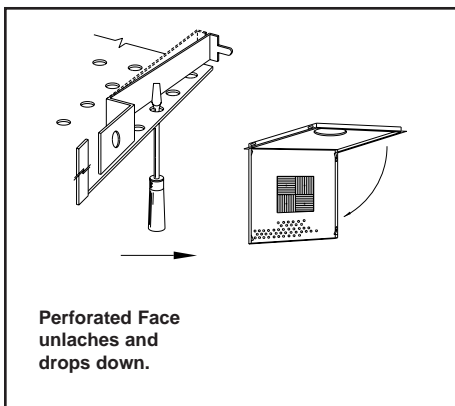
Exterior Zone Applications Illustrating Wall Effect



Interior Zone Applications



Field Adjustments



Accessories (Optional) for Round Neck

Check if provided

Model MAG-100 Radial Sliding Blade Damper
 Model MEG Equalizing Grid

① Model MAG-100 damper is available in duct sizes 152 thru 356 millimeters only.

Model MD-100 Radial Sliding Blade Damper
 Model MEG Equalizing Grid

② Model MD-100 damper is available in duct sizes 152 thru 356 millimeters only.

Model MD-75 Opposed Blade Damper
 Model MEG Equalizing Grid

③ Model MD-75 damper is available in duct sizes 152 thru 305 millimeters only.

Model MAG-85 Butterfly Damper
 Model MEG Equalizing Grid

④

Model MAG-65 Combination Damper and Equalizing Grid

⑤

Model MAG-75 Opposed Blade Damper
 Model MEG Equalizing Grid

Size	B
152x305	38
356x406	54

⑥

Dimension "A" in Inches, for Dampers Shown on Preceding Page and Above

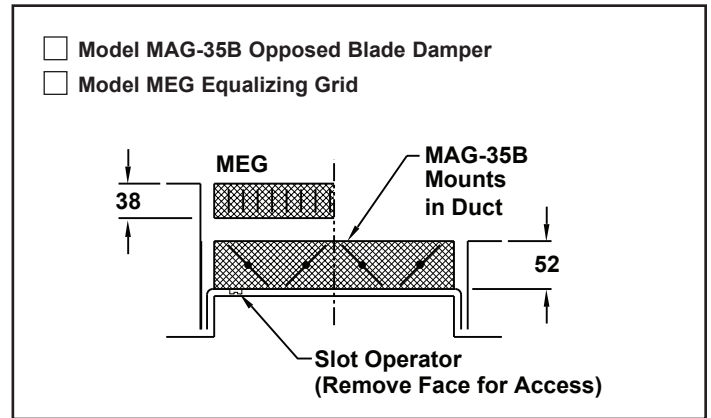
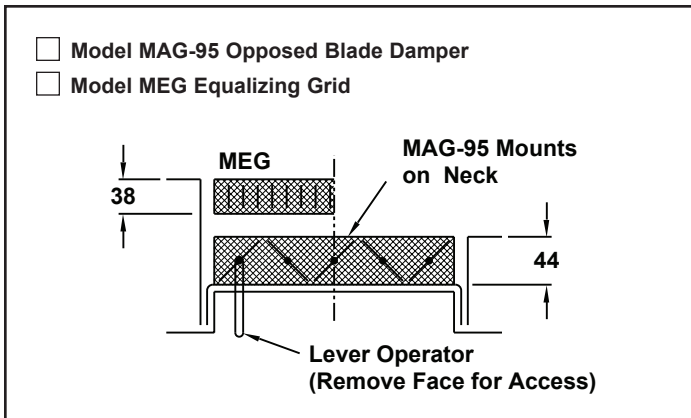
Accessories	Nominal Round Duct Sizes					
	152	203	254	305	356	406
① MAG-100	—	—	—	—	—	N/A
② MD-100	—	—	—	—	—	N/A
③ MD-75	60	83	105	124	N/A	N/A
④ MAG-85	64	89	114	140	165	191
⑤ MAG-65	86	114	140	181	219	251
⑥ MAG-75	108	130	152	175	70	89

Notes ① and ② :

Model MAG-100 and MD-100 dampers have radial blades that slide in a horizontal plane. For that reason, no opening clearance "A" is dimensioned.

Accessories (Optional) for Rectangular Neck

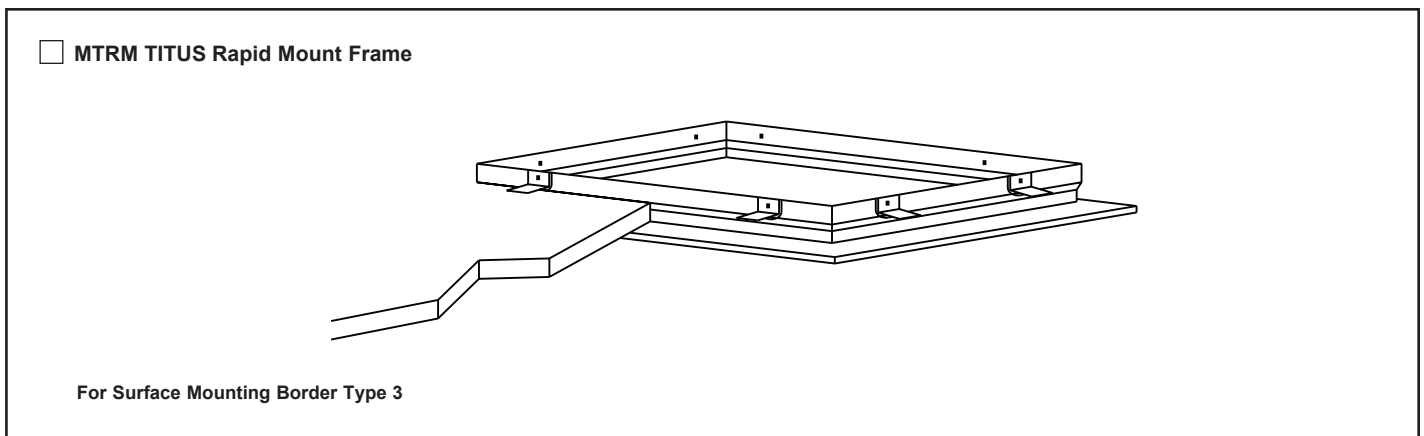
Check if provided



All dimensions are in millimeters.

Accessories (Optional)

Check if provided



Standard Finish: #26 White

General Description

- Model MPSS perforated star diffuser is designed to provide a high induction air pattern that maximizes throw distance.
- Excellent performance in variable air volume systems.
- MPSS deflector is mounted directly under the neck of the diffuser to generate the long-throw star pattern.
- Air direction can be field adjusted with no increase in pressure drop or sound level.

- Model MPSS is available with either side blow or corner blow. Side blow maximizes throw distance. Corner blow maximizes wall surface coverage in a perimeter installation.
- Model MPSS can be changed to either side blow or corner blow in the field.
- Vertical air pattern can be obtained by turning all deflector blades inward.

- Perforated face is hinged to allow access to the star deflector. The damper (where used) is adjustable after removal of the star deflector.
- Perforated face has 5 diameter holes on 6 staggered centers.
- Inlet collar is approximately 38 deep to allow easy duct connection.
- Material is heavy gauge steel.



Note: This submittal is meant to demonstrate general dimensions of this product. The drawing on this submittal are not meant to detail every aspect of the product with exactness. Drawings are not to scale. TITUS reserves the right to make changes without written notice.

605 Shiloh Road • Plano, Texas 75074 • 972-212-4800

D-19.0-S