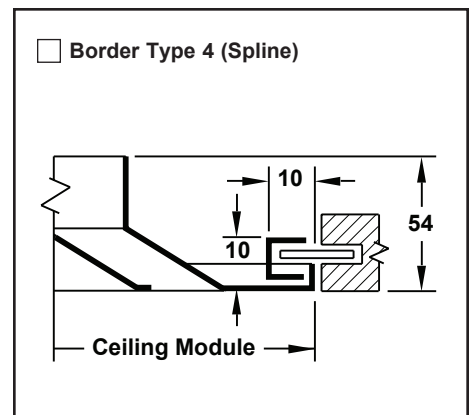
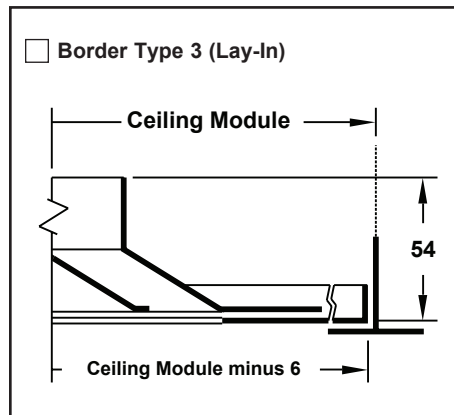
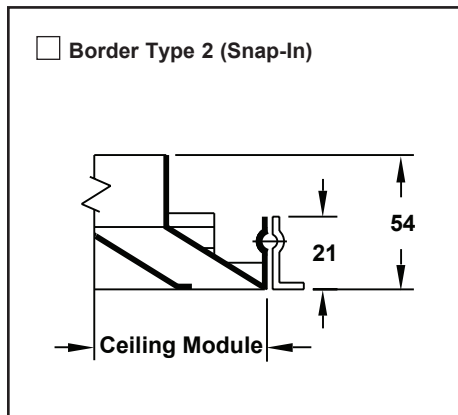
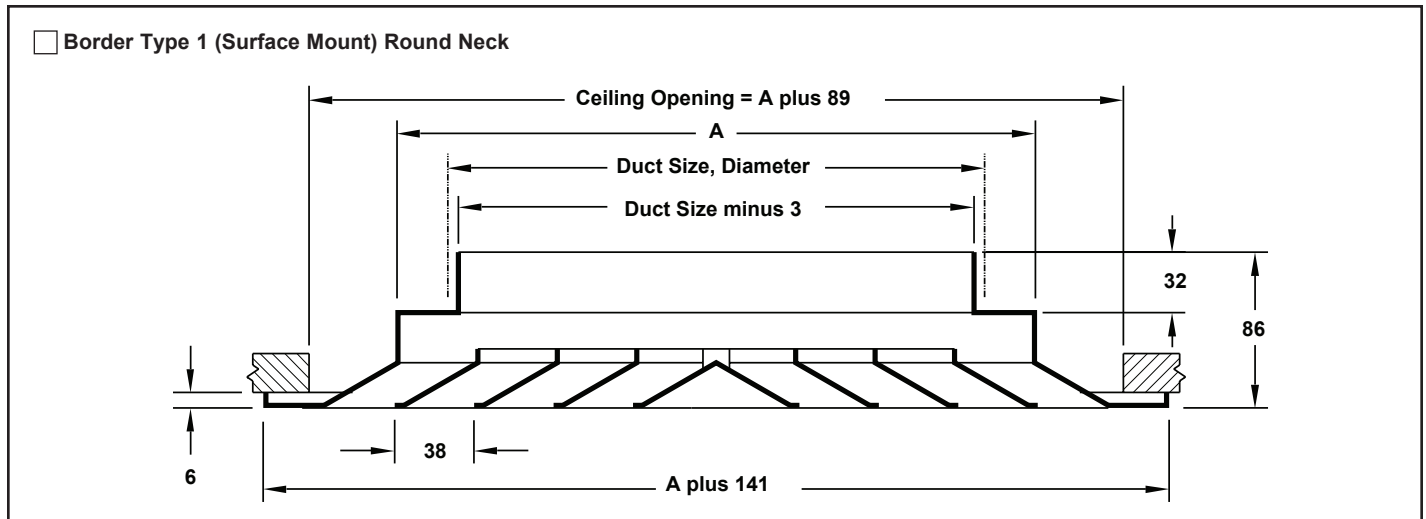
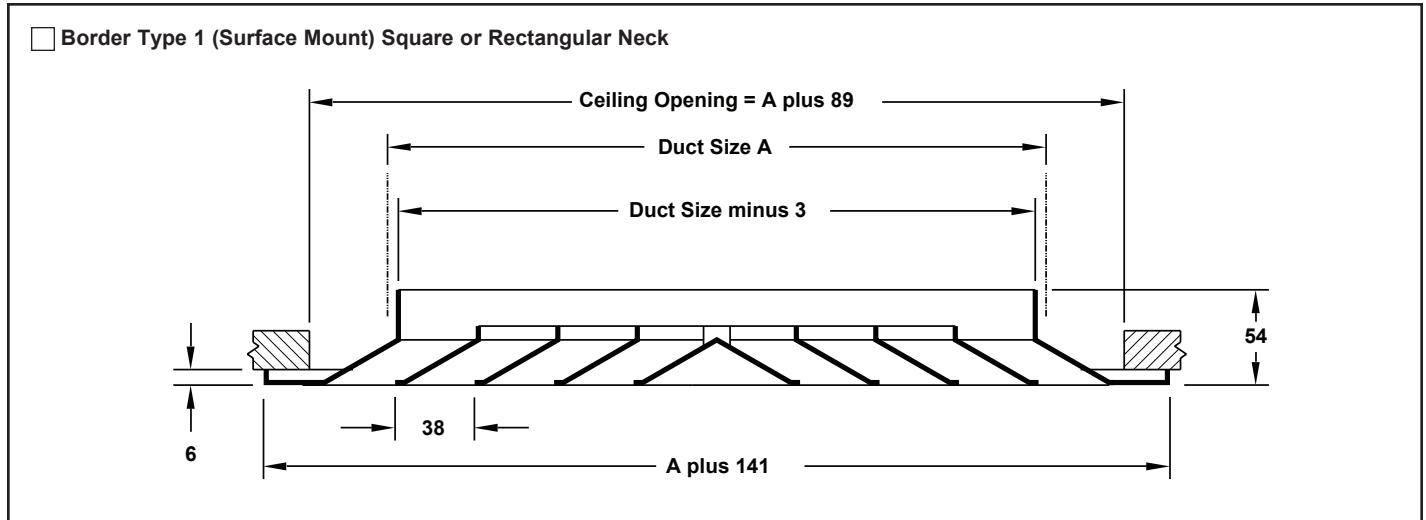


Square and Rectangular Ceiling Diffusers Steel • Louvered Face • High Capacity

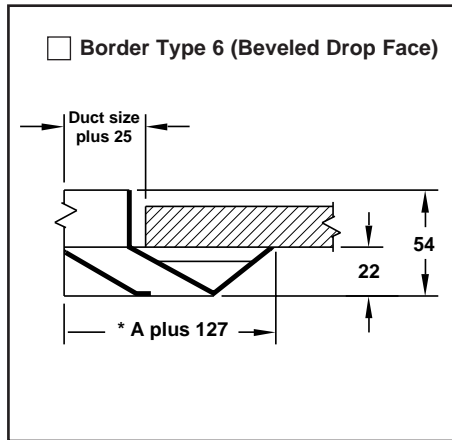
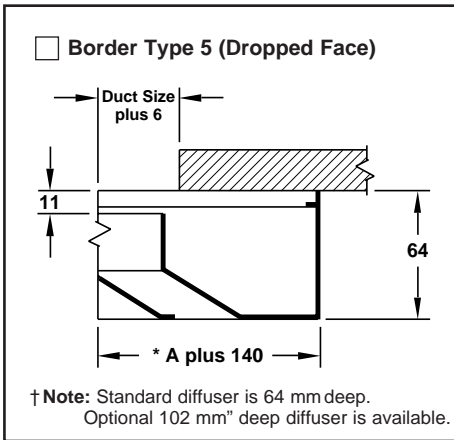
Model: MTDC • Square, Rectangle or Round Neck



For Dimensions "A" see table on next page.

Dimensions are in millimeters.

Border Types, Dimensions (Continued)



***Note:** Dimension A refers to either square/rectangle or round neck diffusers. See drawings below.

Available Duct Sizes, Square and Rectangular Necks

Border Type 1, 5, 6	
Minimum Duct Size A	Maximum Duct Size A
152 x 152	1219 x 1219

Note: Duct sizes are available in 76 mm increments only. Maximum duct size for border 5 is 914 x 914.

Border Type 2, 4		
Available Module Size	Minimum Duct Size A	Maximum Duct Size A
305 x 305	152 x 152	229 x 229
610 x 610	152 x 152	533 x 533
1219 x 610	305 x 305	1143 x 533

Border Type 3		
Available Module Size	Minimum Duct Size A	Maximum Duct Size A
300 x 300	152 x 152	229 x 229
600 x 600	152 x 152	533 x 533
1200 x 600	305 x 305	1143 x 533

Available Duct Sizes, Round Necks

Border Type 1, 5, 6	
Dimensions A	Available Rnd. Duct Size
152 x 152	152
229 x 229	152, 203
305 x 305	203, 254, 305
381 x 381	305, 356
457 x 457	356, 406

Border Type 3		
Available Module Size	Minimum A	Available Rnd. Duct Size
300 x 300	152 x 152	152
	229 x 229	152, 203
600 x 600	152 x 152	152
	229 x 229	152, 203
	305 x 305	203, 254, 305
	381 x 381	305, 356
	457 x 457	152, 203, 245, 305, 356, 406

Border Type 2, 4		
Available Module Size	Minimum A	Available Rnd. Duct Size
305 x 305	152 x 152	152
	229 x 229	152, 203
610 x 610	152 x 152	152
	229 x 229	152, 203
	305 x 305	203, 254, 305
	381 x 381	305, 356
	457 x 457	152, 203, 245, 305, 356, 406

***Note:** Round duct sizes are available only in sizes shown.

Accessories (Optional) for Round Neck

Check if provided

Model MAG-100 Radial Sliding Blade Damper *

Model MEG Equalizing Grid

① Model MAG-100 damper is available in duct sizes 152 thru 356 mm only

Model MD-100 Radial Sliding Blade Damper *

Model MEG Equalizing Grid

② Model MD-100 damper is available in duct sizes 152 thru 356 mm only.

Model MD-75 Opposed Blade Damper *

Model MEG Equalizing Grid

③ Model MD-75 damper is available in duct sizes 152 thru 305 mm only

Model MAG-85 Butterfly Damper *

Model MEG Equalizing Grid

④

Model MAG-65 Combination Damper and Equalizing Grid *

⑤

Model MAG-75 Opposed Blade Damper *

Model MEG Equalizing Grid

Size	B
152-305	38
356-406	54

⑥

Dimension "A" in mm, for Dampers Shown as Above

Accessories	Nominal Round Duct Sizes					
	152	203	254	305	356	406
① MAG-100	—	—	—	—	—	N/A
② MD-100	—	—	—	—	—	N/A
③ MD-75	60	83	105	124	N/A	N/A
④ MAG-85	64	89	114	140	165	191
⑤ MAG-65	86	114	140	181	219	251
⑥ MAG-75	108	130	152	175	70	89

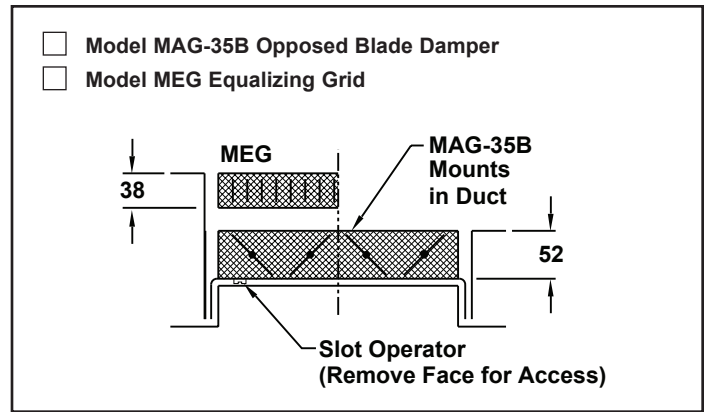
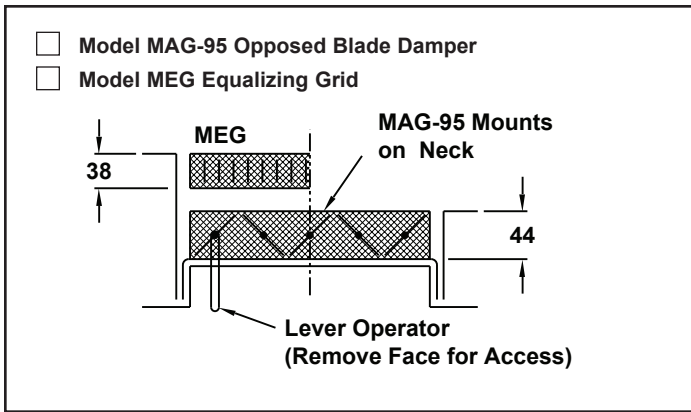
Notes ① and ② :

Model MAG-100 and MD-100 dampers have radial blades that slide in a horizontal plane. For that reason, no opening clearance "A" is dimensioned.

*Damper operators on all round neck dampers are screwdriver type. Remove diffuser core (See back page) for access.

Accessories (Optional) for Rectangular Neck

Check if provided



All dimensions are in millimeters.

Other Accessories (Optional)

Standard Finish: #26 White

- Model MTRV Throw Reducing Vanes
- Model MSR Square-to-Round Transition

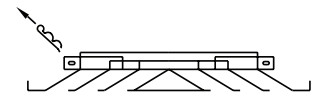
Optional Patterns

Check selection

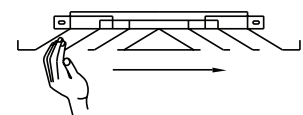
↕ 1 Way	<input type="checkbox"/> S1 Square	<input type="checkbox"/> A1	<input type="checkbox"/> B1
↕↕ 2 Way	<input type="checkbox"/> A2	<input type="checkbox"/> S2 Square	<input type="checkbox"/> B2
↕↙ 2 Way Corner	<input type="checkbox"/> E2	<input type="checkbox"/> F2	<input type="checkbox"/> G2 Square
↕↙↘ 3 Way	<input type="checkbox"/> A3 $X \geq Y$	<input type="checkbox"/> E3 $X > 2Y$	<p>For A3, $X \geq Y$ For A3-2, $X > Y, X < 2Y$ For B3, $X = 2Y$ For E3, $X > 2Y$</p> <p>* Dimensions X and Y shown here are the proportions of available rectangular duct sizes. Duct sizes are available in 76 mm increments. Dimension X is always the longer dimension for each core option.</p>
	<input type="checkbox"/> A3-2 $X > Y, X < 2Y$	<input type="checkbox"/> B3 $X = 2Y$	
↕↕↕ 4 Way	<input type="checkbox"/> A4 Square	<input type="checkbox"/> B4	

Removing Center Core

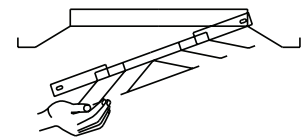
1. Remove shipping clips.



2. Push core sideways against spring.



3. Hold core securely and allow to drop down.



General Description

- TITUS Model MTDC is a high capacity ceiling diffuser. Because it maintains an unbroken horizontal flow pattern from maximum M^3/SEC down to minimum, it is an excellent choice for variable air volume application.
- Core is removable from the face of the diffuser.

- Lever operator on optional Model MAG-95 damper allows easy volume adjustment from the face of the diffuser. (Rectangular necks only).
- Model MTDC is extremely flexible, with cores available for 1, 2, 3 or 4-way horizontal flow patterns.

- Material is heavy gauge steel.



Note: This submittal is meant to demonstrate general dimensions of this product. The drawing on this submittal are not meant to detail every aspect of the product with exactness. Drawings are not to scale. TITUS reserves the right to make changes without written notice.

605 Shiloh Road • Plano, Texas 75074 • 972-212-4800

MD-38.0-S