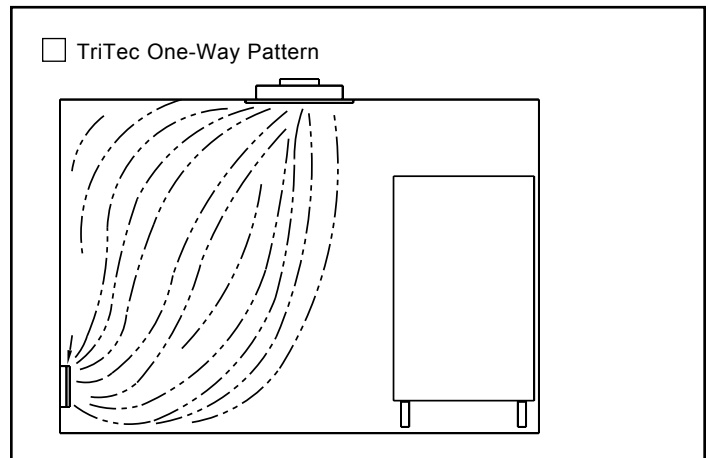
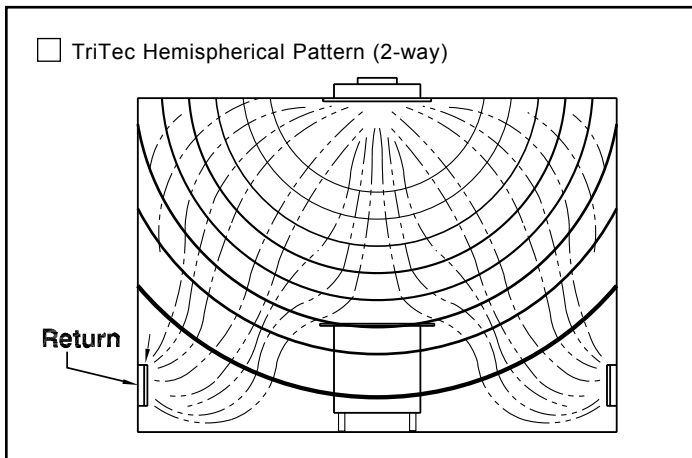
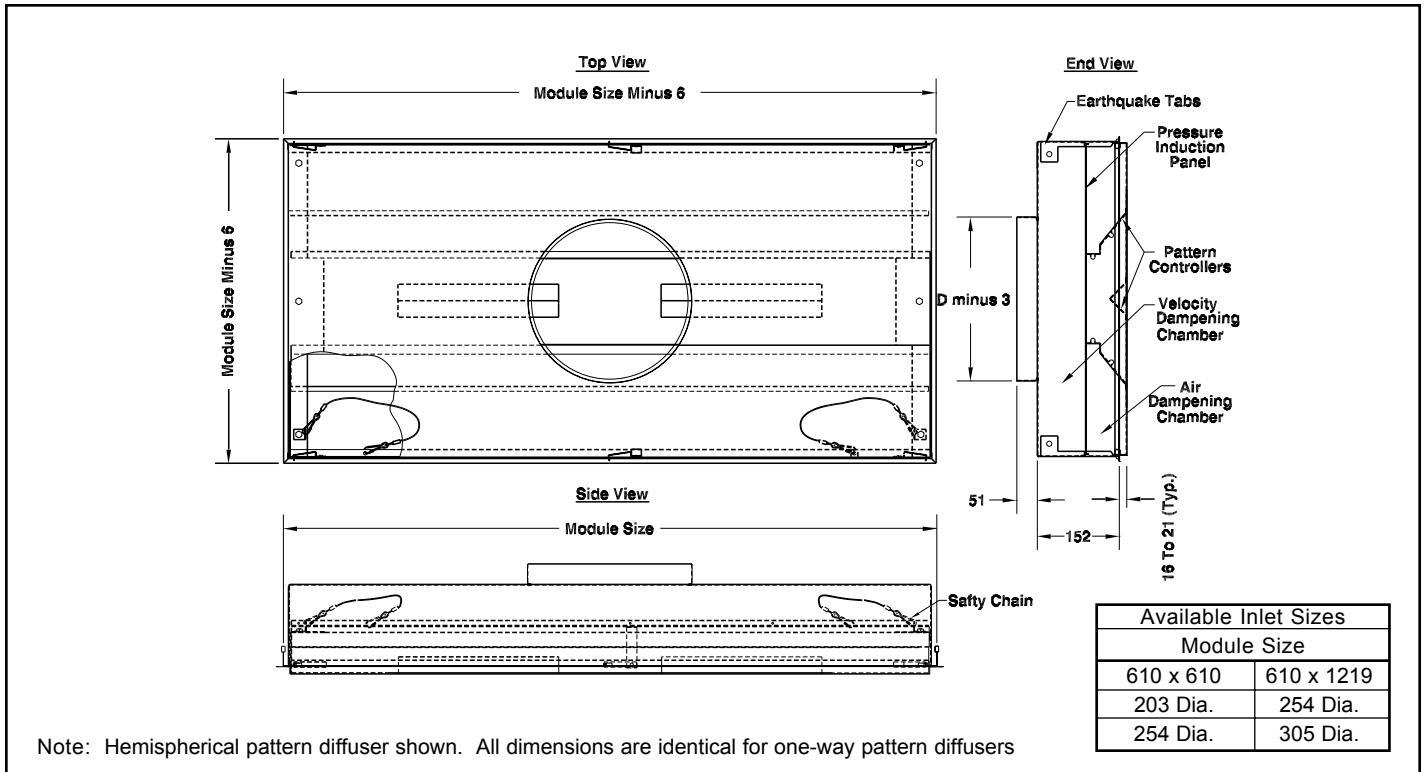


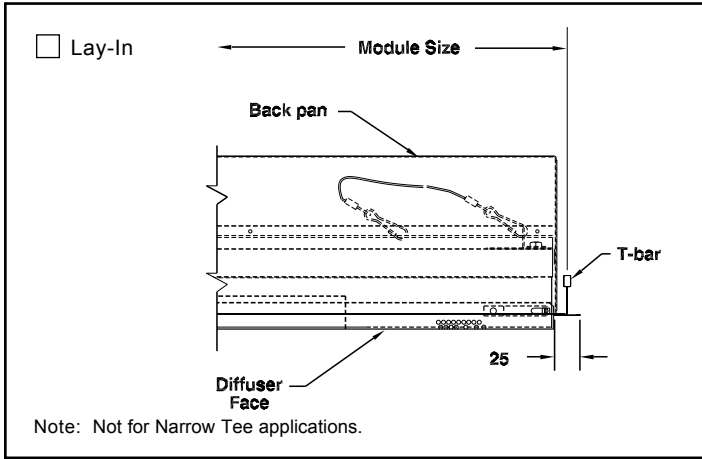
Critical Environment Diffusion Products High Volume • Low Velocity • Radial Air Diffusion

Model: MTriTec • Steel

MTriTec-AL • Aluminum Backpan • 304 Stainless Steel Face

MTriTec-SS • 304 Stainless Steel

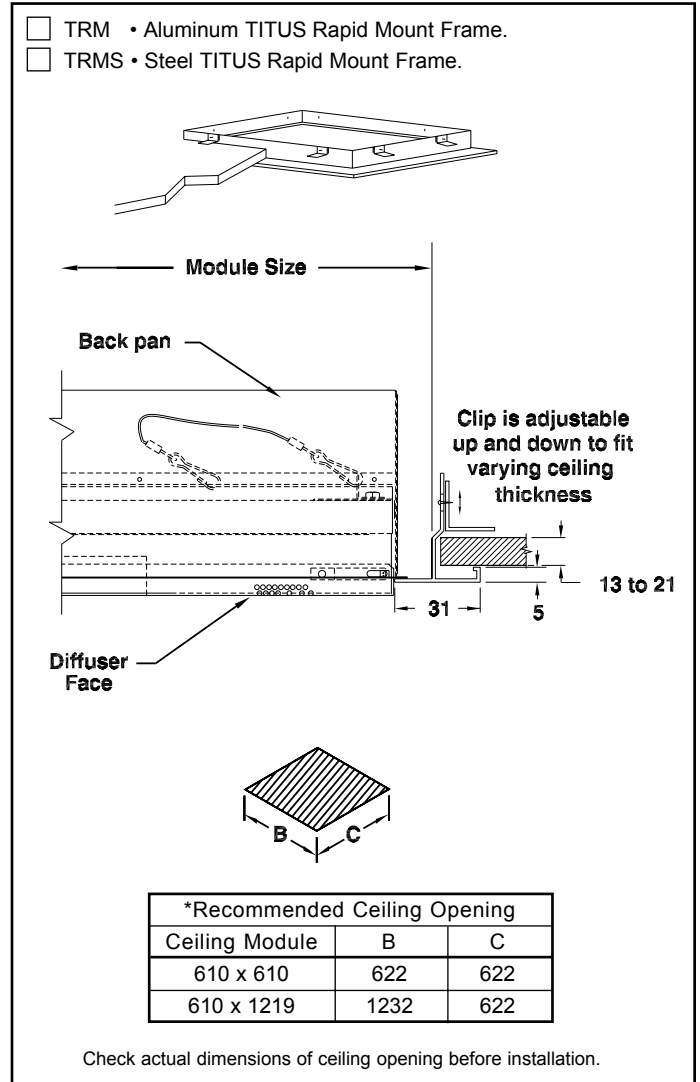




Standard Finish: For steel and aluminum products
#26 White

Standard Finish: For stainless steel products
#04 Mill

Optional Finish _____



Note: All dimensions are in millimeters.

General Description

- TriTec hemispherical face drops below the ceiling 16.
- Removable face for sanitizing, (no special tool required to remove the face).
- Available in Steel, 304 Stainless Steel, and Aluminum with 304 Stainless Steel face.
- Available in 610 x 610 and 1219 x 610 module sizes.

- Low velocity hemispherical (2-way) pattern or one-way pattern available.
- Factory supplied plenum with every unit.
- Standard unit lays into standard T-Bar ceiling. Optional TRM/TRMS mounting frame available for surface mounting.
- Simple to install and maintain.

- Great for use in fume hood areas.
- Earthquake tabs supplied as standard.
- Safety chain is standard.
- 51% free area perforated face matches industry standard perforated diffuser's appearance.
- 22 gauge backpan.



Note: This submittal is meant to demonstrate general dimensions of this product. The drawings on this submittal are not meant to detail every aspect of the product with exactness. Drawings are not to scale. TITUS reserves the right to make changes without written notice.

605 Shiloh Road • Plano, Texas 75074 • 972-212-4800

CED-2.0-S