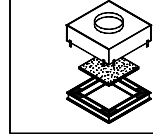


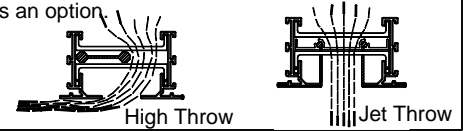
FlowBar™ Architectural Ceiling Diffusers Aluminum • ModuFlow

- MFB-10** • 1" Slot • Bolt-Slot
- MFBI-10** • 1" Slot • Bolt-Slot • Insulated
- MFRB-10** • 1" Slot • Bolt-Slot • Return

ModuFlow Bolt-Slot

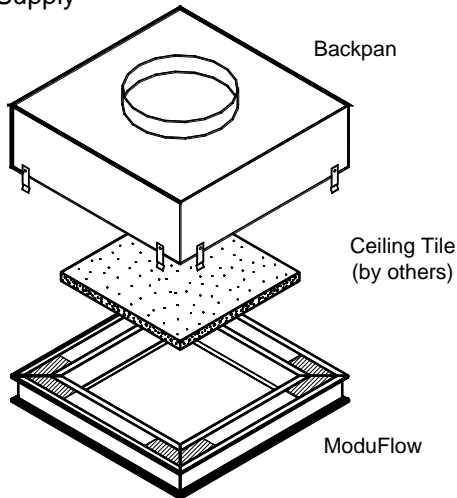


Standard HighThrow pattern controller shown. Optional JetThrow pattern controller available as an option.

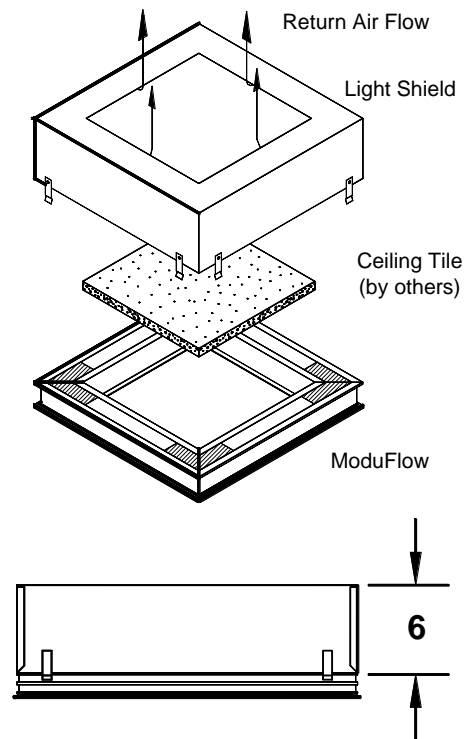


Border 16

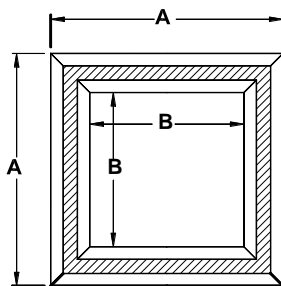
ModuFlow Supply



ModuFlow Return

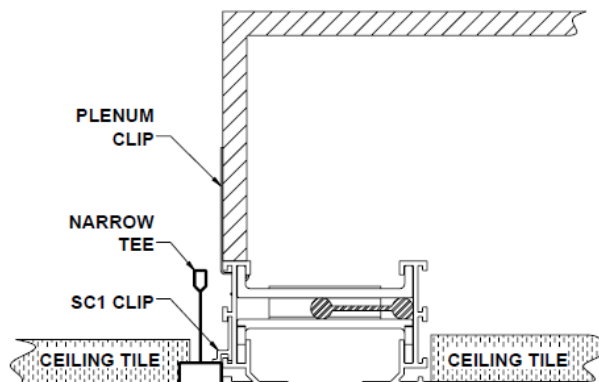


Dimensional Data



Model	A	B
MFB-10	23 7/16	17 9/16
MFI-10	23 7/16	17 9/16
MFR-10	23 7/16	17 9/16

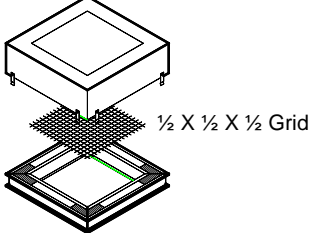
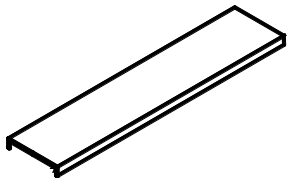
Edge/Border Detail



Dimensions are in inches.

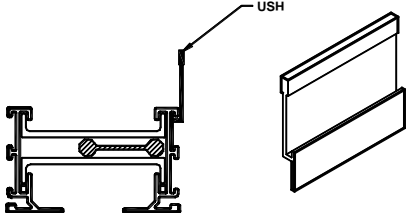
Accessories (Optional)

Check if provided.

<input type="checkbox"/> Optional High Capacity Return  <p style="text-align: center;">$\frac{1}{2} \times \frac{1}{2} \times \frac{1}{2}$ Grid</p>	<input type="checkbox"/> FBBO – Optional Blank Off <input type="checkbox"/> 1 Side <input type="checkbox"/> 2 Side <input type="checkbox"/> 3 Side  <p>Note: Blankoffs are painted black. Field cut to length.</p>
--	--

Hanger & Mounting Clips

Check if provided.

USH – Upper Support Hanger


Sustains one side of the FlowBar assembly from the ceiling structure.

Standard Finish:

- #26 White border
- Flat Black interior.

Optional High Capacity Return:

- $\frac{1}{2}$ " x $\frac{1}{2}$ " x $\frac{1}{2}$ " Aluminum Grid.

General Description

- | | | |
|--|---|---|
| <ul style="list-style-type: none"> • Diffuser material is extruded aluminum. • Pattern controllers change direction of the air flow. | <ul style="list-style-type: none"> • HighThrow pattern controllers are standard. • Standard size is nominal 24" x 24" | <ul style="list-style-type: none"> • ModulFlow Return has HighThrow pattern controllers. |
|--|---|---|

This submittal is meant to demonstrate general dimensions of this product. The drawings are not meant to detail every aspect of the product. Drawings are not to scale. Titus reserves the right to make changes without written notice.