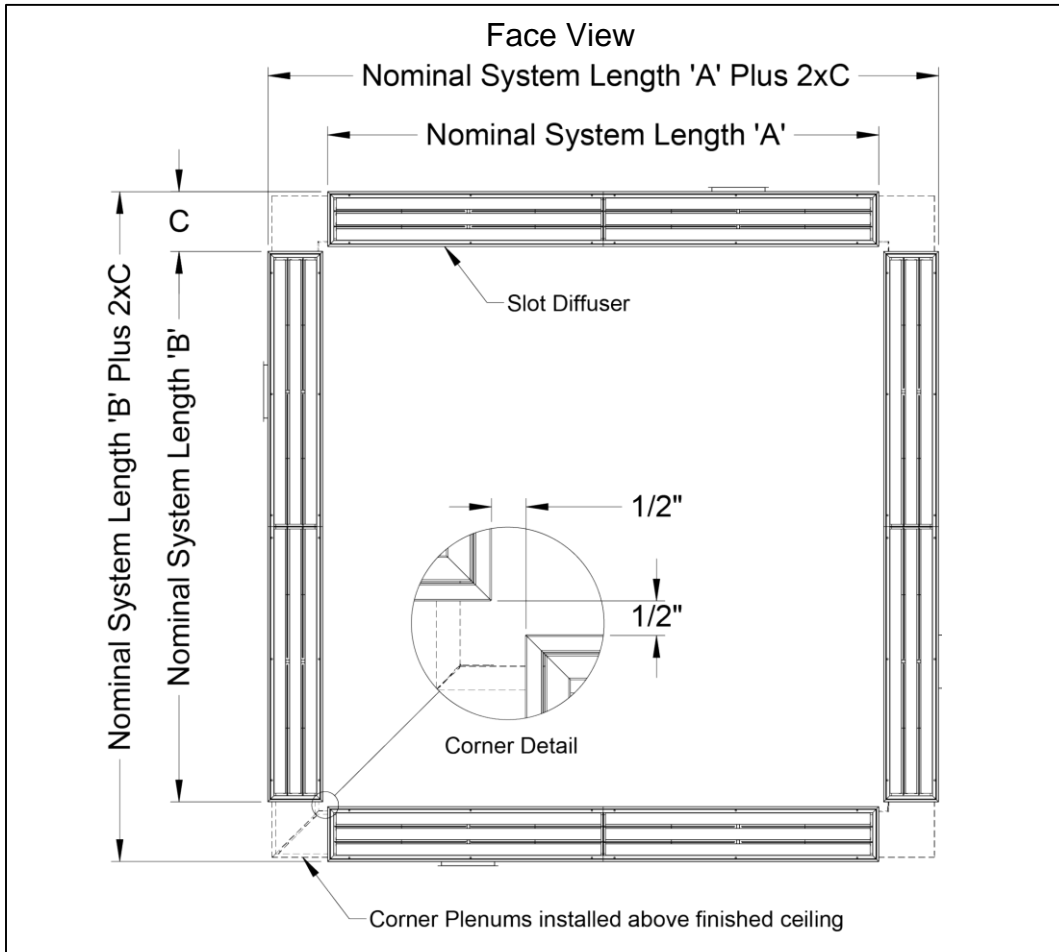


SteriTec-AL
SteriTec-SS

- Aluminum
- Stainless Steel

Critical Environment Diffusion Products
Sterile Environment System Technology



Construction Material

Check material type provided

Aluminum

304 Stainless Steel

Finish

Check finish type provided

#01 Aluminum

#04 Mill Finish

#26 White

System Size:

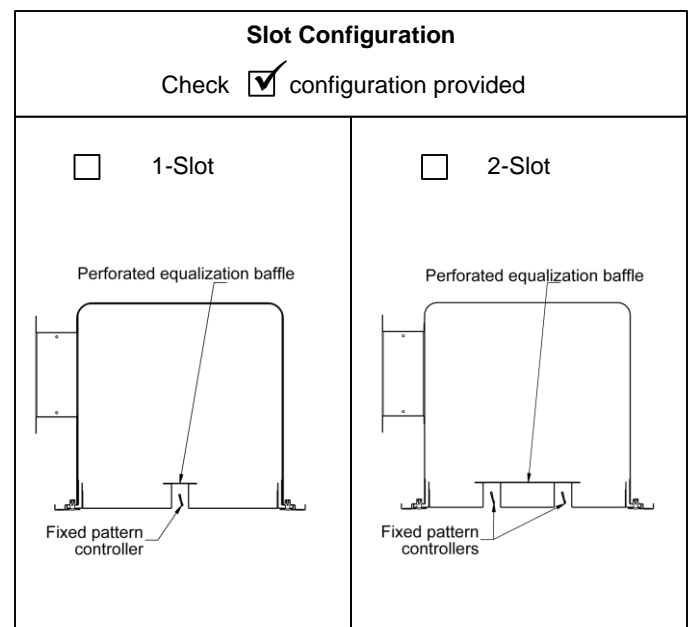
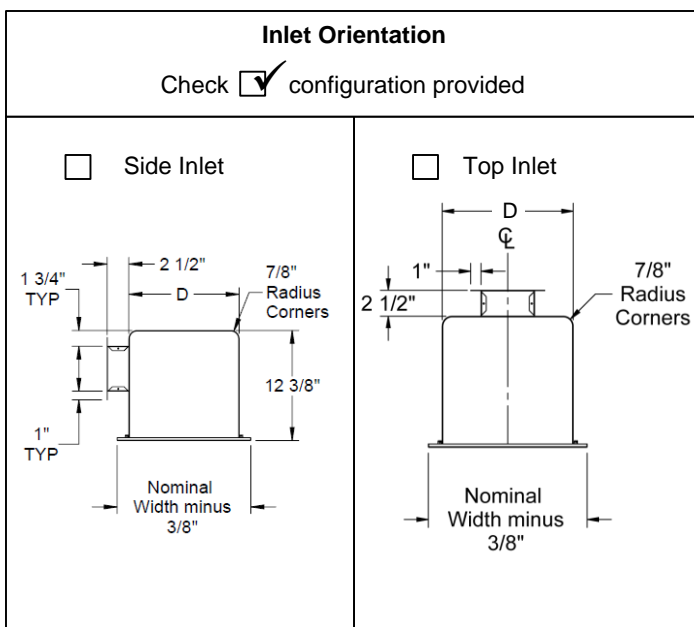
Nominal length 'A': _____

Nominal Width 'B': _____

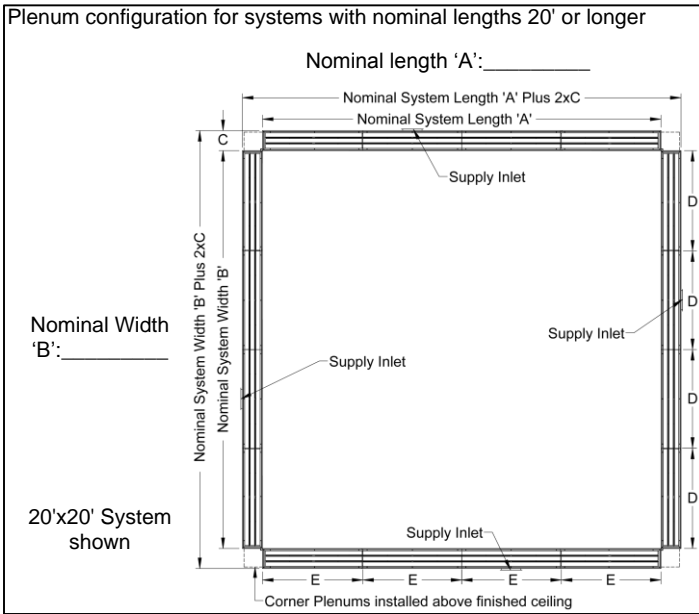
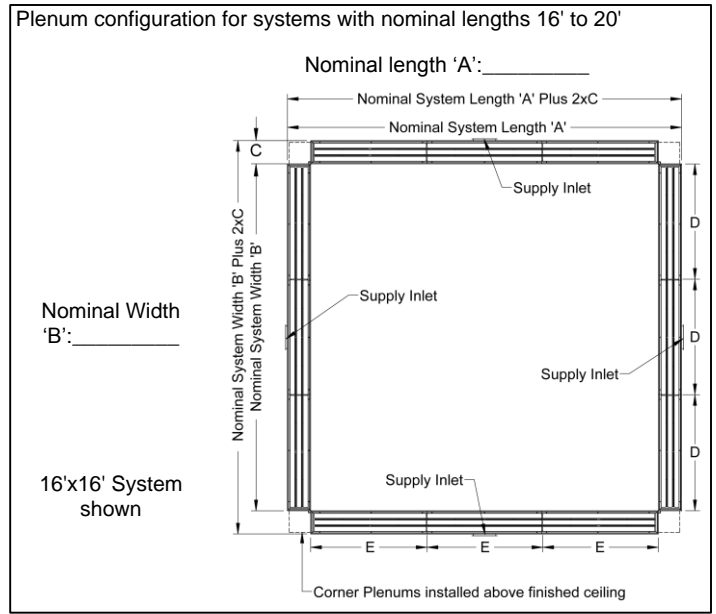
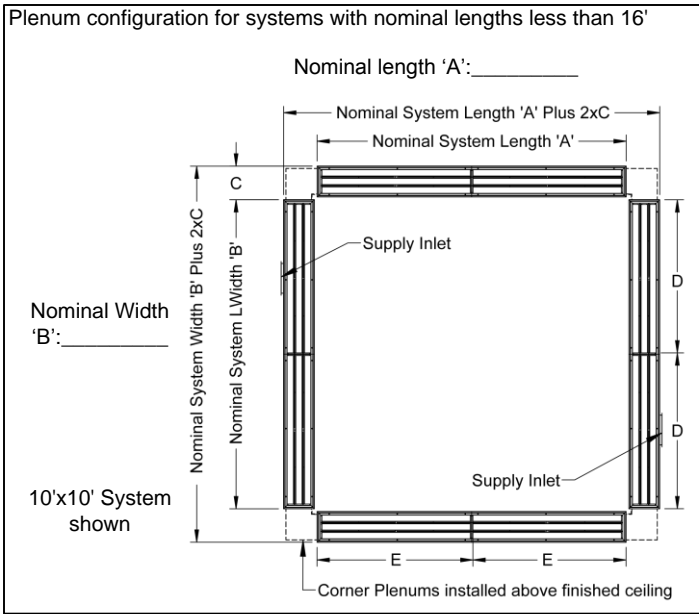
Minimum length increment is 1/4".

Check configuration provided

Nominal Width (in)	C (in)	D (in)
<input type="checkbox"/> 10	10 1/8	6
<input type="checkbox"/> 12	12 1/8	9
<input type="checkbox"/> 15	15 1/8	12



Plenum Details

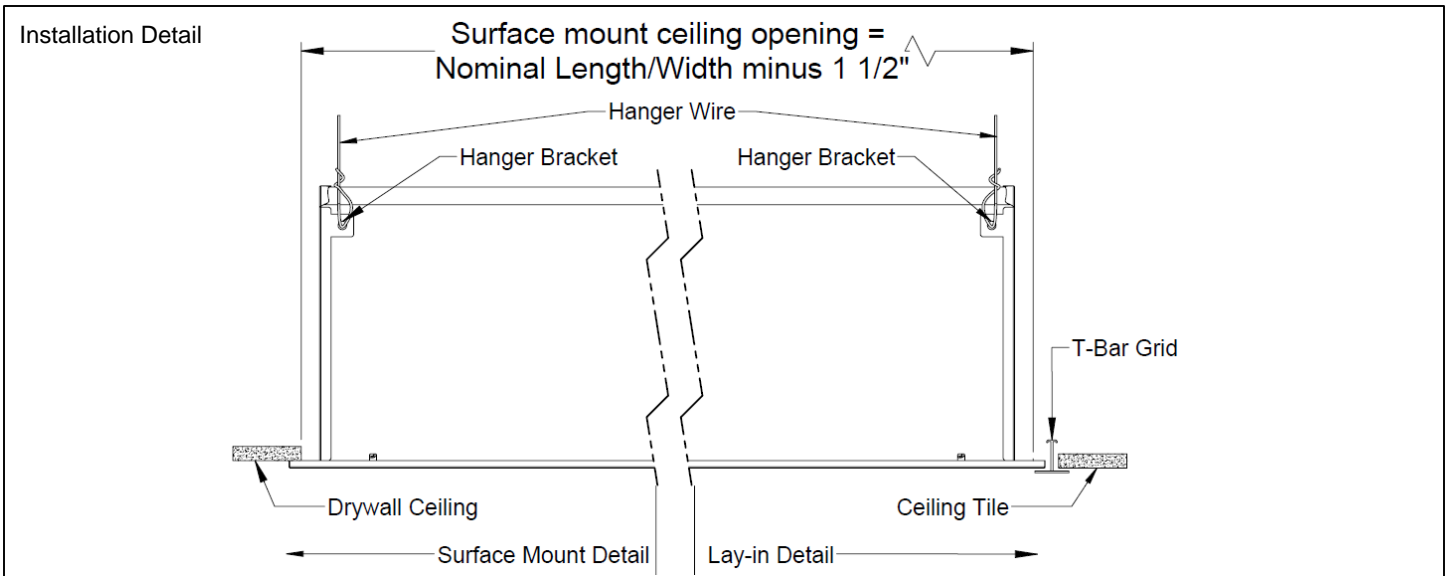


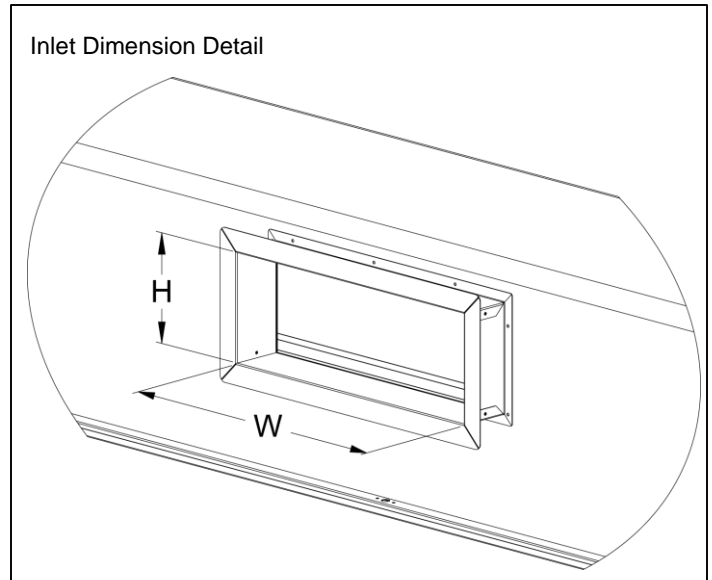
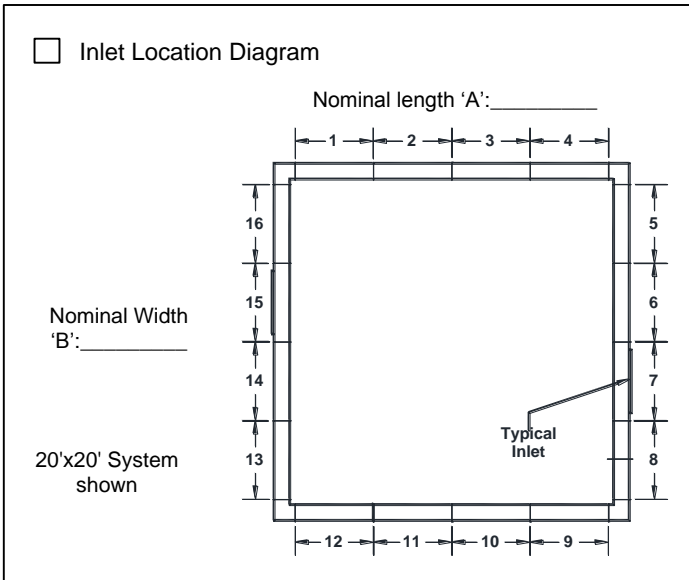
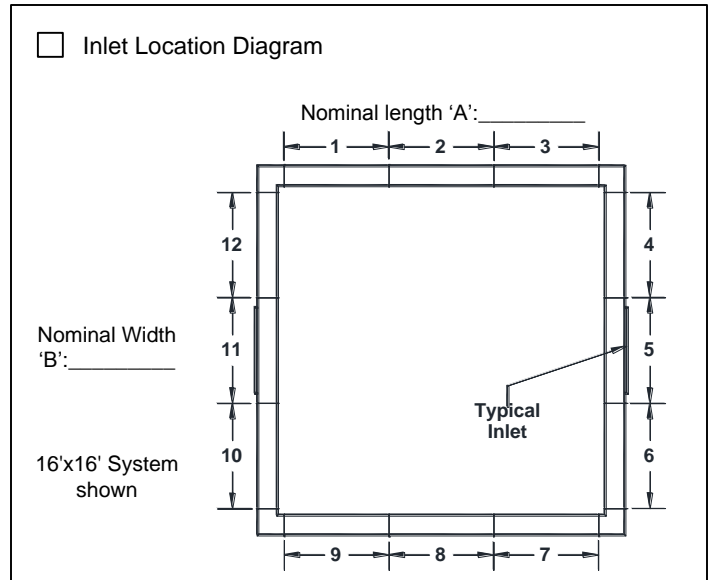
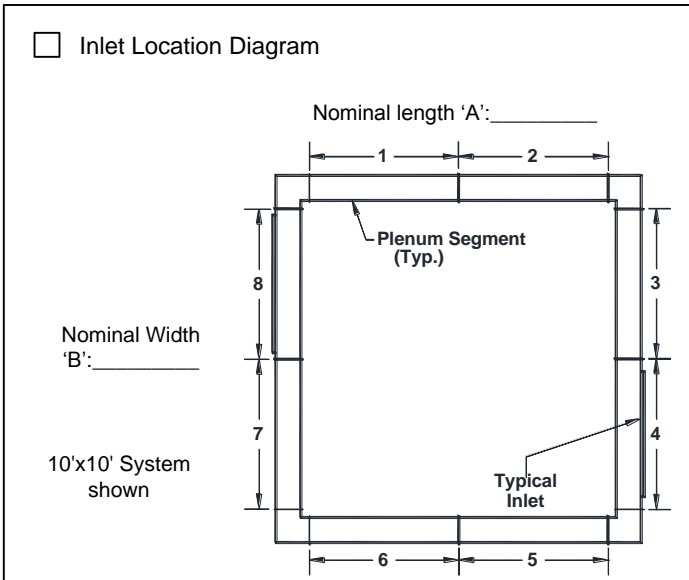
Plenum Section Lengths

Nominal Length	Nominal Plenum Length
A: _____	→ E: _____
Nominal Width	Nominal Plenum Length
B: _____	→ D: _____

Note:

- If: nominal length/w idth ≤ 16': E = A ÷ 2 & D = B ÷ 2
- If: 16' < nominal length/w idth < 20': E = A ÷ 3 & D = B ÷ 3
- If: nominal length/w idth ≥ 20': E = A ÷ 4 & D = B ÷ 4





Inlet Reference Chart

Nominal Length	Number of Inlets for 25 CFM/ft.	Number of Inlets for 50 CFM/ft.	Maximum Inlet Size	Inlet Locations for 25 CFM/ft. Design	Inlet Locations for 50 CFM/ft. Design
10'	2	4	48" x 8"	4, 8	2, 4, 6, 8
12'	2	4	60" x 8"	4, 8	2, 4, 6, 8
14'	4	8	42" x 8"	2, 5, 8, 11	1, 3, 4, 6, 7, 9, 10, 12
16'	12	12	48" x 8"	2, 5, 8, 11	All Sections
18'	12	12	60" x 8"	2, 5, 8, 11	All Sections
20'	8	16	48" x 8"	1, 3, 5, 7, 9, 11, 13, 15	All Sections

Inlet Configuration

Check if provided.

Inlet Height 'H':
 4 inches
 5 inches
 6 inches
 8 inches
 X: _____

Inlet Width 'W':

Inlet Locations:
 1 2 3 4
 5 6 7 8
 9 10 11 12
 13 14 15 16

Note: Maximum inlet width is 48 inches; for sections less than 48 inches, maximum inlet width is section length minus 4 inches.

System Calculation Table

Room Volume _____ ft³

Perimeter Air Curtain CFM _____

Air Changes Per Hour _____

Number of Center Diffusers _____

Nominal System Size _____' X _____'

CFM/ft² per Center Diffuser _____

Total System CFM _____

CFM/Linear Ft of Slot Diffuser _____

Perimeter Air Curtain CFM	Perimeter Air Curtain CFM/ft	Number of Inlets	Location of Inlets	Inlet Size	Inlet Velocity	Plenum Velocity
_____ CFM	_____ CFM/ft		A	_____ " x _____ " or _____ ft ²	_____ fpm	_____ fpm
Should be 67% of the total.	Should be between 25 and 50 CFM/ft	See the Inlet Location Chart	See the Inlet Location Chart	Maximum Height is 8" tall. Maximum length is section size minus 12".	$\frac{\text{Total Perimeter CFM}}{\text{\# of Inlets}}$ Inlet size in square feet	$\frac{\text{Total Perimeter CFM}}{(2 \times \text{\# of inlets})}$

Note: A copy of this submittal MUST accompany order.

General Description _____

- The SteriTec System is a continuous plenum perimeter air curtain
- Available with 7/8" radius plenums. Radius cornered plenums are continuously welded along all corner seams and ground smooth. This makes cleaning easy with no crevices in the corners to trap containments or mold.
- Plenums include heavy duty flanges that are bolted together in the field
- Hardware for assembly (nuts, bolts, washers) and clear silicone provided by others
- Plenums include heavy duty hanger brackets allowing the suspension of the entire system from the structure
- For surface mounted or lay-in T-Bar system
- ¼ turn fasteners hold all face panels in place.
- Inlets available in 4", 5", 6", or 8" heights.
- Units are shipped in sections for field installation.

This submittal is meant to demonstrate general dimensions of this product. The drawings are not meant to detail every aspect of the product. Drawings are not to scale.

Titus reserves the right to make changes without written notice.

All rights reserved. No part of this work may be reproduced or transmitted in any form or by any means, electronic or mechanical, including photocopying and recording, or by any information storage retrieval system without permission in writing from Air Distribution Technologies.