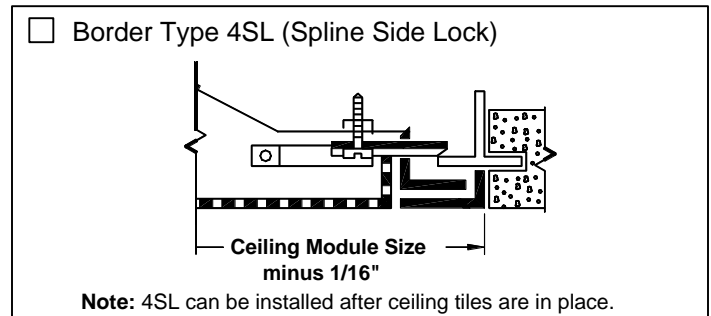
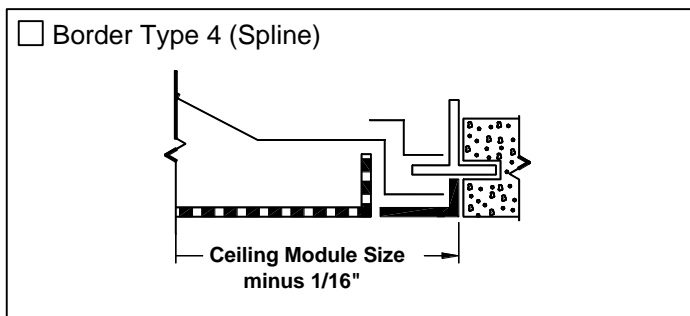
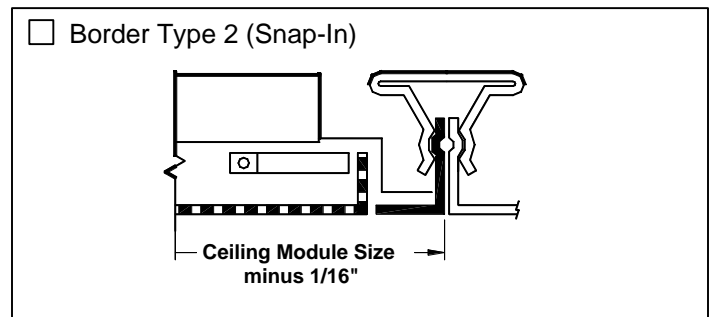
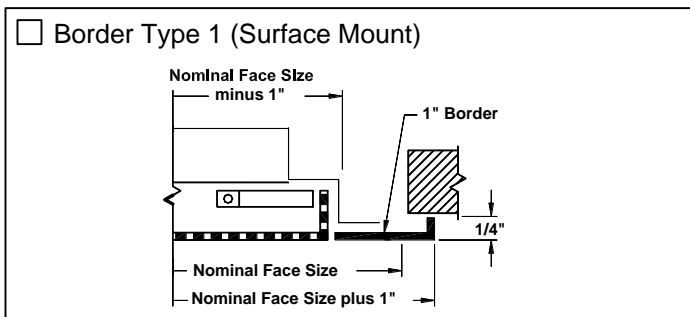
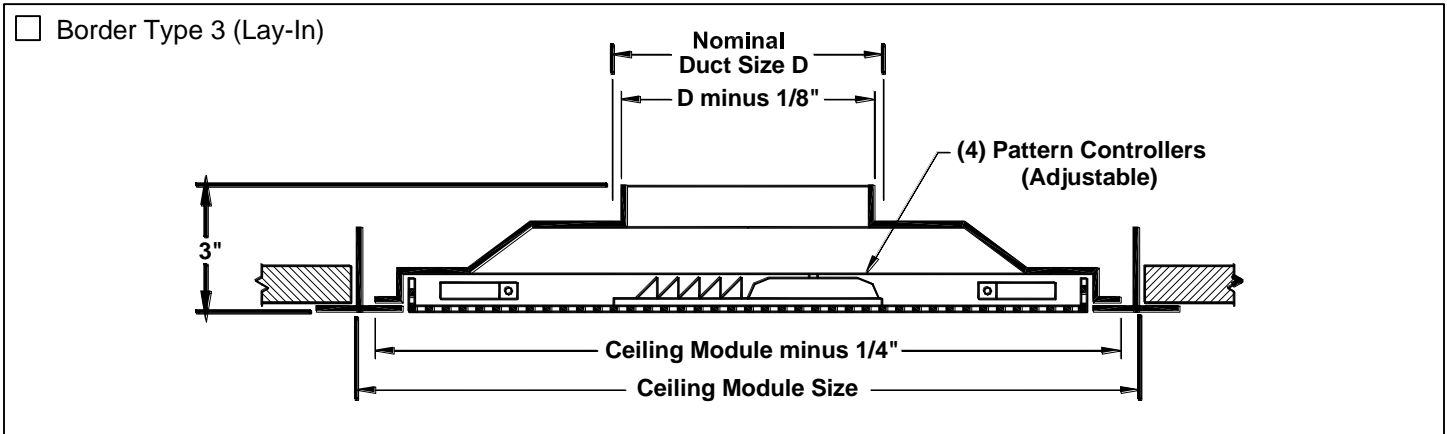


## Perforated Ceiling Diffusers Aluminum • Flush Face

Model: PAS-AA • Supply • 1, 2, 3, or 4 Way Adjustable Discharge Pattern



Available Sizes for Border Types 1, 2, 3, 4, 4SL												
Face or Ceiling Module Size	Nominal Duct Size D											
	6 x 6	8 x 8	10 x 10	12 x 12	15 x 15	18 x 18	6" Dia.	8" Dia.	10" Dia.	12" Dia.	14" Dia.	16" Dia.
12 x 12	•						•					
24 x 24	•	•	•	•	•	•	•	•	•	•	•	•

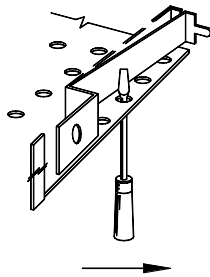
• Indicates available combination

All dimensions are in inches.

## Removing Perforated Face

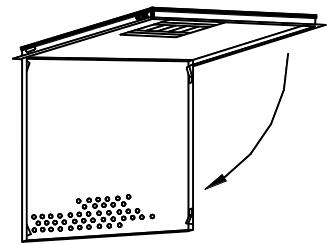
1. Insert small Screwdriver or other slim instrument to push latch inward from border.

2. Repeat on opposite side.



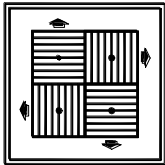
3. Face will now swing down with 2 remaining latches acting as hinges.

For complete removal, release 2 remaining latches at left.

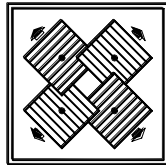


## Adjusting Pattern Controllers

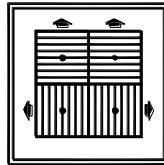
4-Way



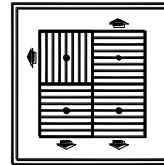
4-Way Corner



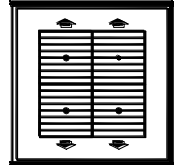
3-Way



3-Way



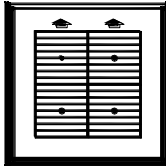
2-Way



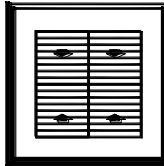
2-Way Corner



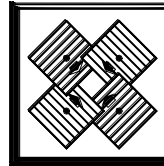
1-Way



Vertical



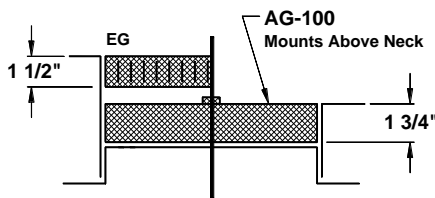
Vertical



## Accessories (Optional) for Round Neck

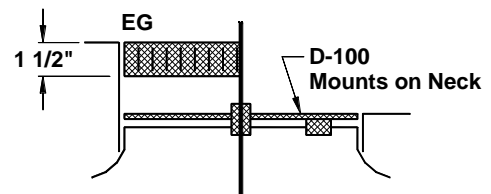
Check  if provided.

- Model AG-100 Radial Sliding Blade Damper
- Model EG Equalizing Grid



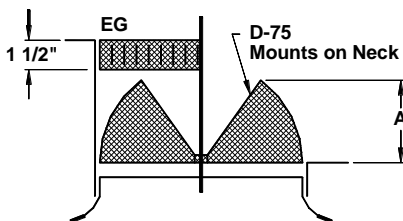
Model AG-100 damper is available in duct sizes 6 thru 14 inches only.

- Model D-100 Radial Sliding Blade Damper
- Model EG Equalizing Grid



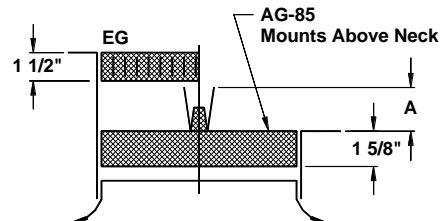
Model D-100 damper is available in duct sizes 6 thru 14 inches only.

- Model D-75 Opposed Blade Damper
- Model EG Equalizing Grid



Model D-75 damper is available in duct sizes 6 thru 12 inches only.

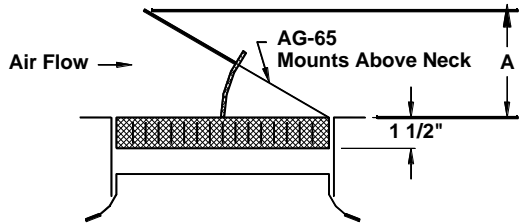
- Model AG-85 Butterfly Damper
- Model EG Equalizing Grid



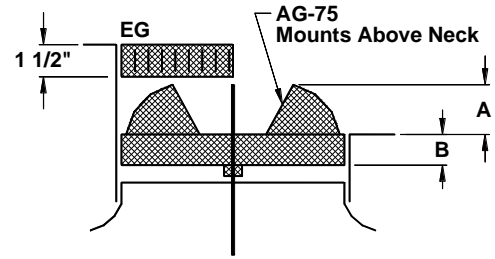
### Accessories (Optional) for Round Neck

Check  if provided.

- Model AG-65 Combination Damper and Equalizing Grid



- Model AG-75 Opposed Blade Damper
- Model EG Equalizing Grid



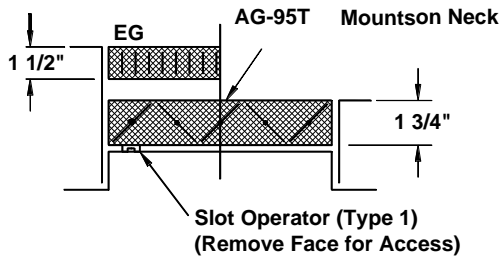
Accessories	Nominal Round Duct Sizes					
	6	8	10	12	14	16
AG-100	—	—	—	—	—	N/A
D-100	—	—	—	—	—	N/A
D-75	2 3/8	3 1/4	4 1/8	4 7/8	N/A	N/A
AG-85	2 1/2	3 1/2	4 1/2	5 1/2	6 1/2	7 1/2
AG-65	3 3/8	4 1/2	5 1/2	7 1/8	8 5/8	9 7/8
AG-75	4 1/4	5 1/8	6	6 7/8	2 3/4	3 1/2

Note: Model AG-100 and D-100 dampers have radial blades that slide in a horizontal plane. For that reason, no opening clearance "A" is dimensioned.

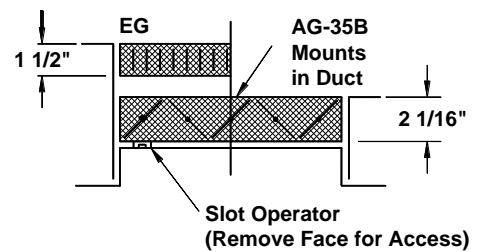
### Accessories (Optional) for Rectangular Neck

Check  if provided.

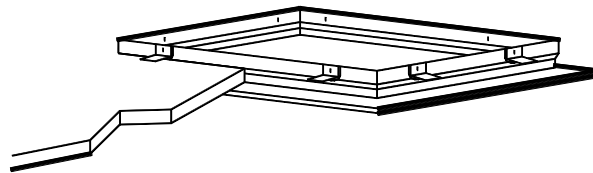
- Model AG-95 Opposed Blade Damper
- Model EG Equalizing Grid



- Model AG-35B Opposed Blade Damper
- Model EG Equalizing Grid



- TRM TITUS Rapid Mount Frame



For Surface Mounting Border Type 3

### Accessories (Optional) for Rectangular and Round Neck

Check  if provided.

- IB Molded Insulation Blanket



Insulation is R-6 where blanket has the most depth. One-inch clearance on each side of neck is left for insulated duct connection. 24 x 24-inch module size only. Blanket is factory installed.

## Standard Finish: #26 White

### General Description

---

- Model PAS-AA flush face perforated ceiling diffusers are designed to provide a uniform circular pattern.
- Excellent performance in variable air volume systems.
- A tight, uniform horizontal blanket of air protects the ceiling against smudging.
- Discharge pattern can be adjusted to vertical as well as to 1, 2, 3 or 4 way horizontal. Can be adjusted before or after installation.
- Discharge pattern is adjusted by dropping the perforated face (see Page 2) and rotating the pattern controllers.
- Dropping the perforated face also gives access for adjusting the optional damper.
- Perforated face has 3/16" diameter holes on 1/4" staggered centers.
- Inlet collar is approximately 1/2" deep to allow easy duct connection.
- Material: Heavy gauge aluminum face, steel backpan and pattern controllers.