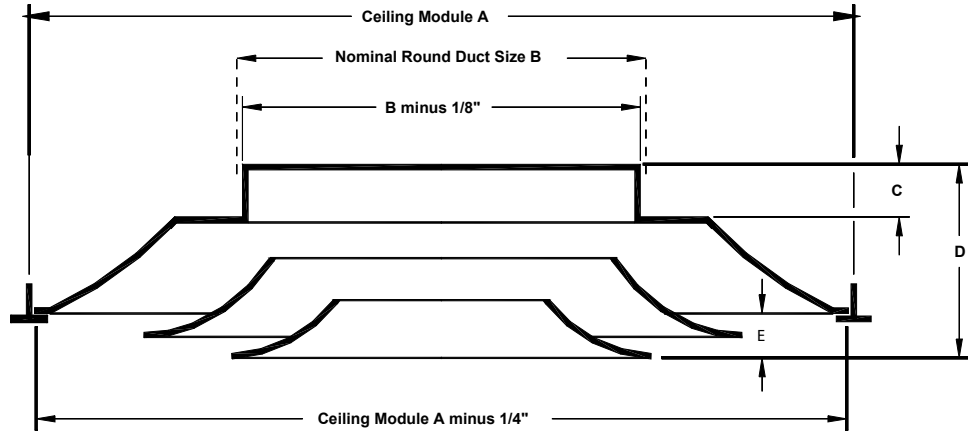


TMS • Round Neck

Square Ceiling Diffusers
Steel • High Performance

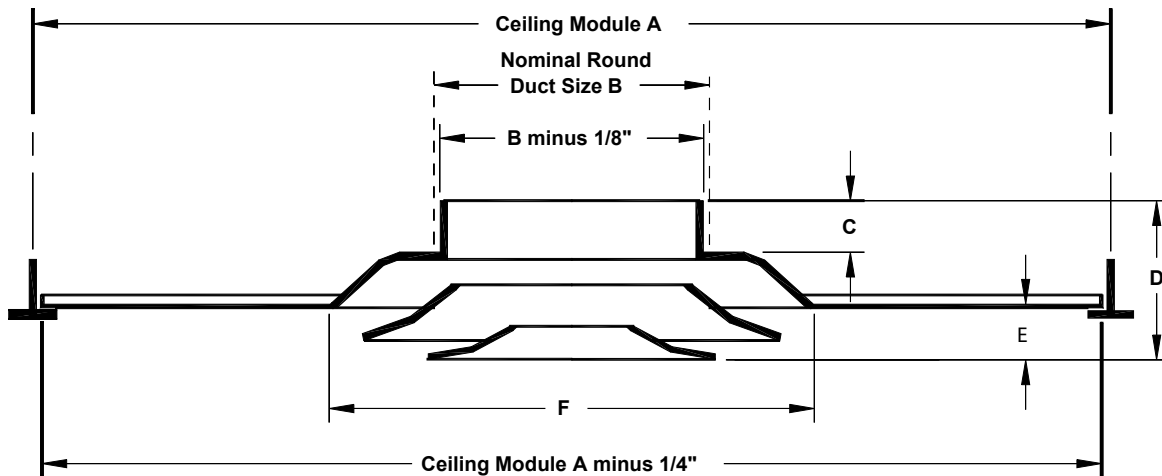
Border Type 3 (Lay-In) Full Face. For other border types, please see next page.



Ceiling Module A	Nominal Round Duct Size B	C	D	E
12 x 12	4, 5*	3 1/8	5 3/8	1 1/8
12 x 12	6, 7	1 1/8	3 3/8	1 1/8
12 x 12	8	1 1/4	3 1/2	1 1/8
20 x 20	4, 5*	2 3/4	6 3/8	1 1/4
20 x 20	6, 8, 10	3/4	4 3/8	1 1/4
24 x 24	6, 8	1 1/4	5	1 1/4
24 x 24	10, 12, 14, 15	1 3/8	5 1/8	1 1/4

* Adapter is provided for Sizes 4 & 5

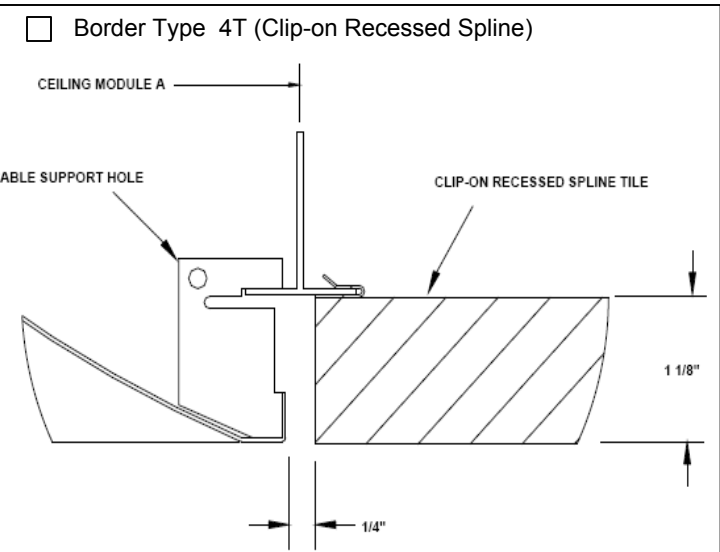
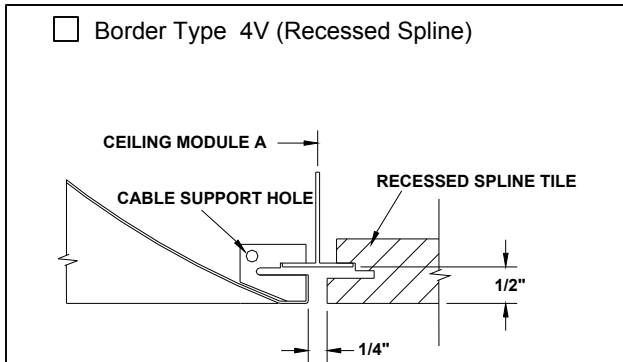
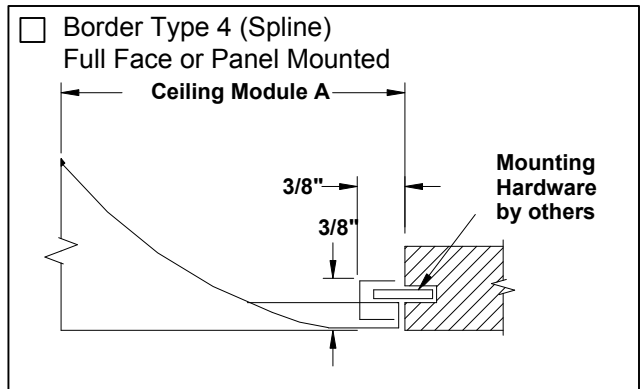
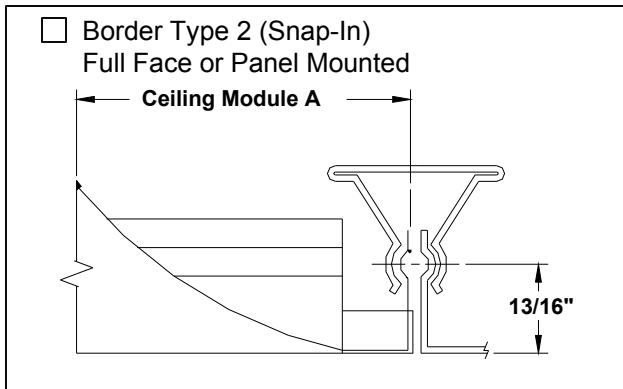
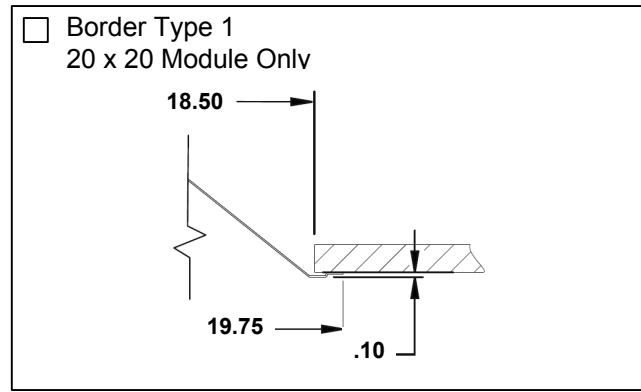
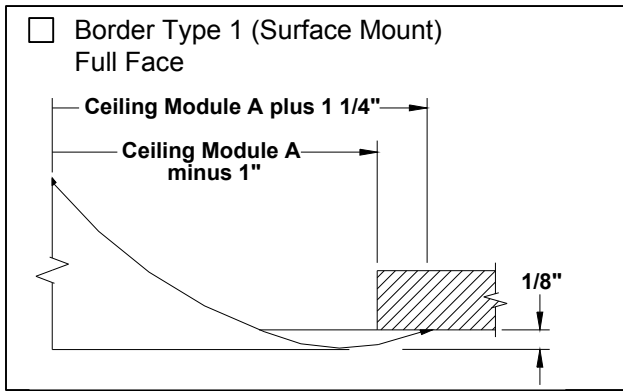
Border Type 3 (Lay-In) Panel Mount. For other border types, please see next page.



Ceiling Module A	Nominal Round Duct Size B	Nominal Face Sizes F	C	D	E
24 x 24	4, 5*	12 X 12	2 3/4	5	1 1/8
24 x 24	6, 7	12 X 12	3/4	3	1 1/8
24 x 24	8	12 x 12	3/4	3	1 1/8

* Adapter is provided for Sizes 4 & 5

Other Available Border Types

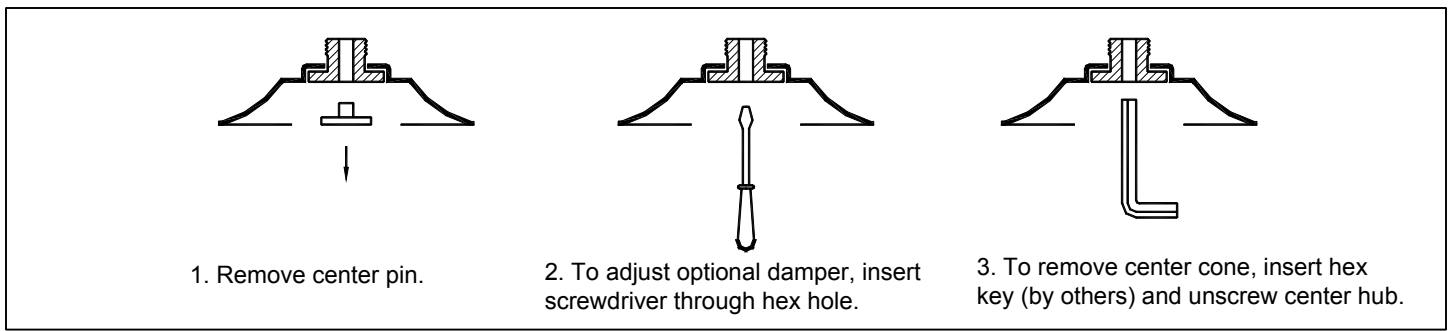


Note: If Border 4V is adjacent to a light fixture a gap will be visible above the backpan. A t-bar extender is available to fill this void, available from the ceiling manufacturer.

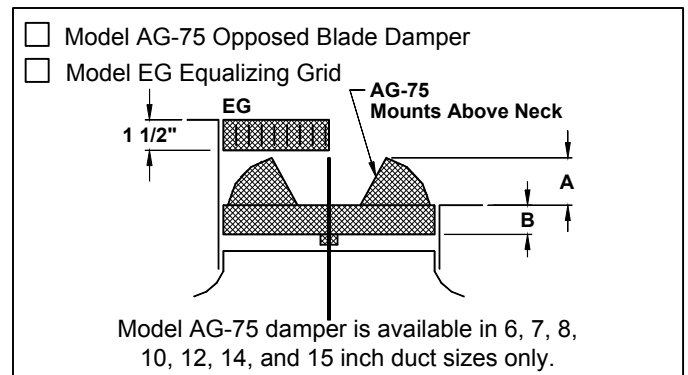
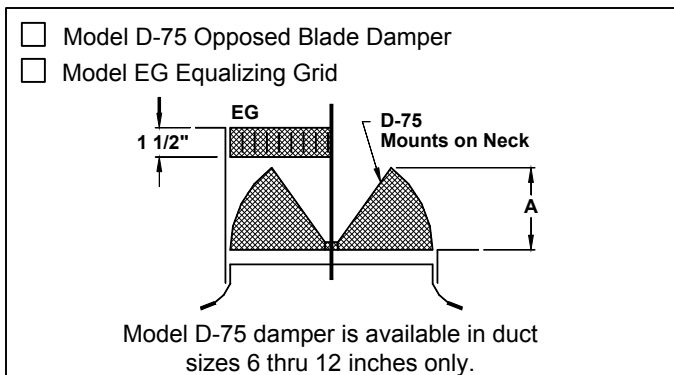
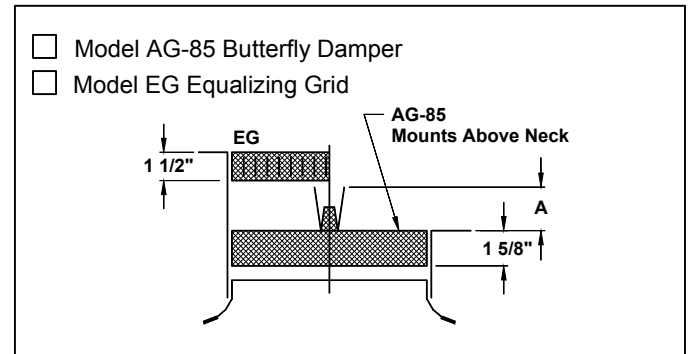
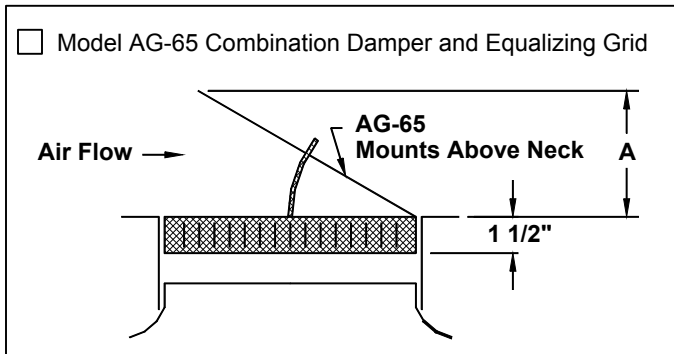
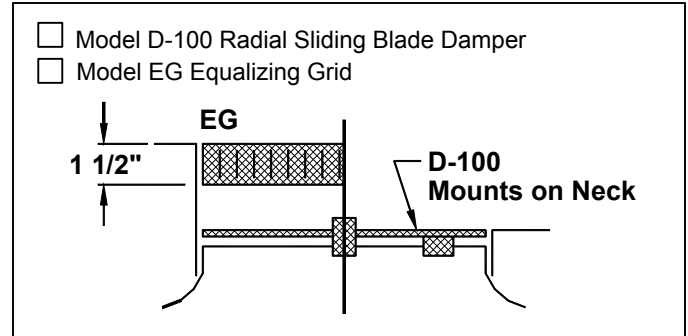
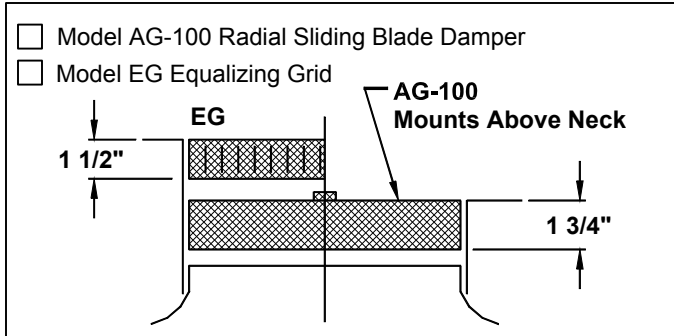
Borders 4V & 4T have four mounting clips. Two clips on opposed sides with holes to attach mounting wire from above. Borders 4V & 4T are only available in 24x24 full face module size.

Ceiling Module	Face Size	Nominal Round Duct Sizes	Border Types
12 x 12	12 x 12	4, 5, 6, 7, 8	1, 2, 3, 4
20 x 20	20 x 20	4, 5, 6, 8, 10	1, 3
24 x 24	24 x 24	6, 8, 10, 12, 14, 15	1, 2, 3, 4, 4V, 4T
24 x 24 (Panel)	12 x 12	4, 5, 6, 7, 8	2, 3, 4

Adjusting Optional Damper • Removing Center Cone



Accessories (Optional) Check if provided.



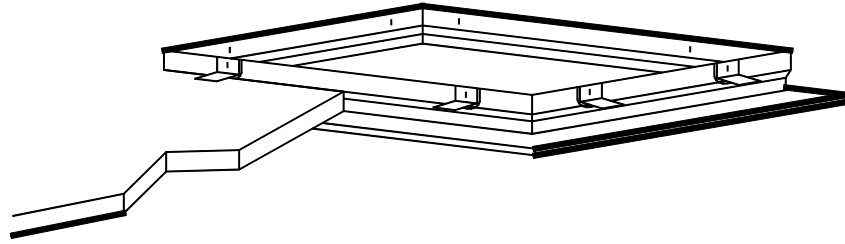
Dimension "A" in Inches, for Dampers Shown as Above

Accessories	Nominal Round Duct Sizes						
	6	7	8	10	12	14	15
AG-100	—	—	—	—	—	—	N/A
D-100	—	—	—	—	—	—	N/A
D-75	2 3/8	2 7/8	3 1/4	4 1/8	4 7/8	N/A	N/A
AG-85	2 1/2	3	3 1/2	4 1/2	5 1/2	6 1/2	7
AG-65	3 3/8	4	4 1/2	5 1/2	7 1/8	8 5/8	9
AG-75	2 3/4	3 1/4	3 5/8	4 1/2	5 3/8	2 3/4	3

Note:
 D-100 and AG-100 dampers have radial blades that slide in a horizontal plane. For that reason, no opening clearance "A" is dimensioned.

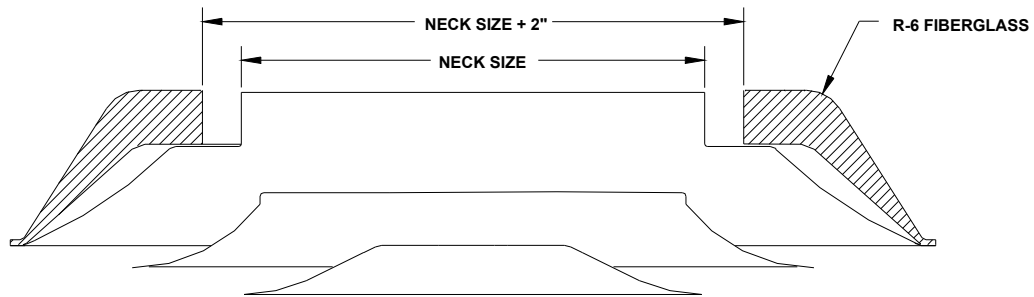
Other Accessories (Optional) Check if provided.

TRM TITUS Rapid Mount Frame

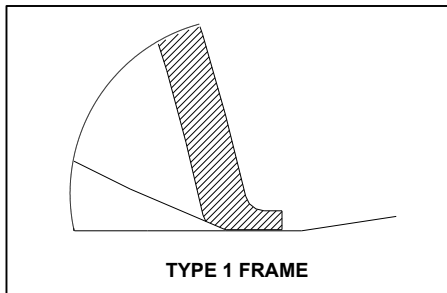


For Surface Mounting Border Type 3

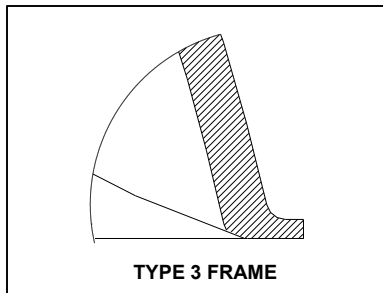
IB Molded Insulation Blanket



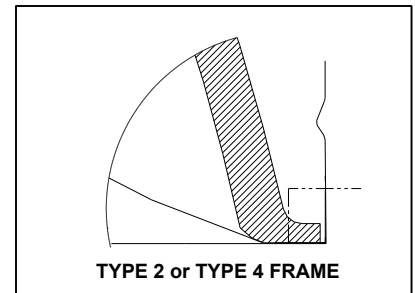
Type 3 Border Shown



TYPE 1 FRAME



TYPE 3 FRAME



TYPE 2 or TYPE 4 FRAME

Standard Finish: #26 White

General Description

- Model TMS delivers supply air in a true 360° pattern. Designed to protect ceiling from streaking and smudging.
- Excellent for variable volume systems. The uniform, nearly horizontal jet from the outer cone maintains effective room air distribution even when air volume varies over a considerable range.
- The TMS consists of 3 concentric cones in all sizes. This uniformity of design enhances appearance in installations where more than one size is involved.
- Screwdriver adjustment of the optional damper is achieved without removing the inner cone. (See Note 2, Page 2).
- Quick removal of inner cone with a hex key speeds installation. (See Note 3, Page 2).
- All cones are die-stamped one piece construction with smooth, clean surfaces and no corner joints.
- Material is heavy gauge steel.
- Optional molded insulation blanket (IB) with R-6 rating available for use with border styles 1, 2, 3, and 4, 24x24 full face models.



Note: This submittal is meant to demonstrate general dimensions of this product. The drawings on this submittal are not meant to detail every aspect of the product with exactness. Drawings are not to scale. TITUS reserves the right to make changes without written notice.

605 Shiloh Road • Plano, Texas 75074 • 972-212-4800