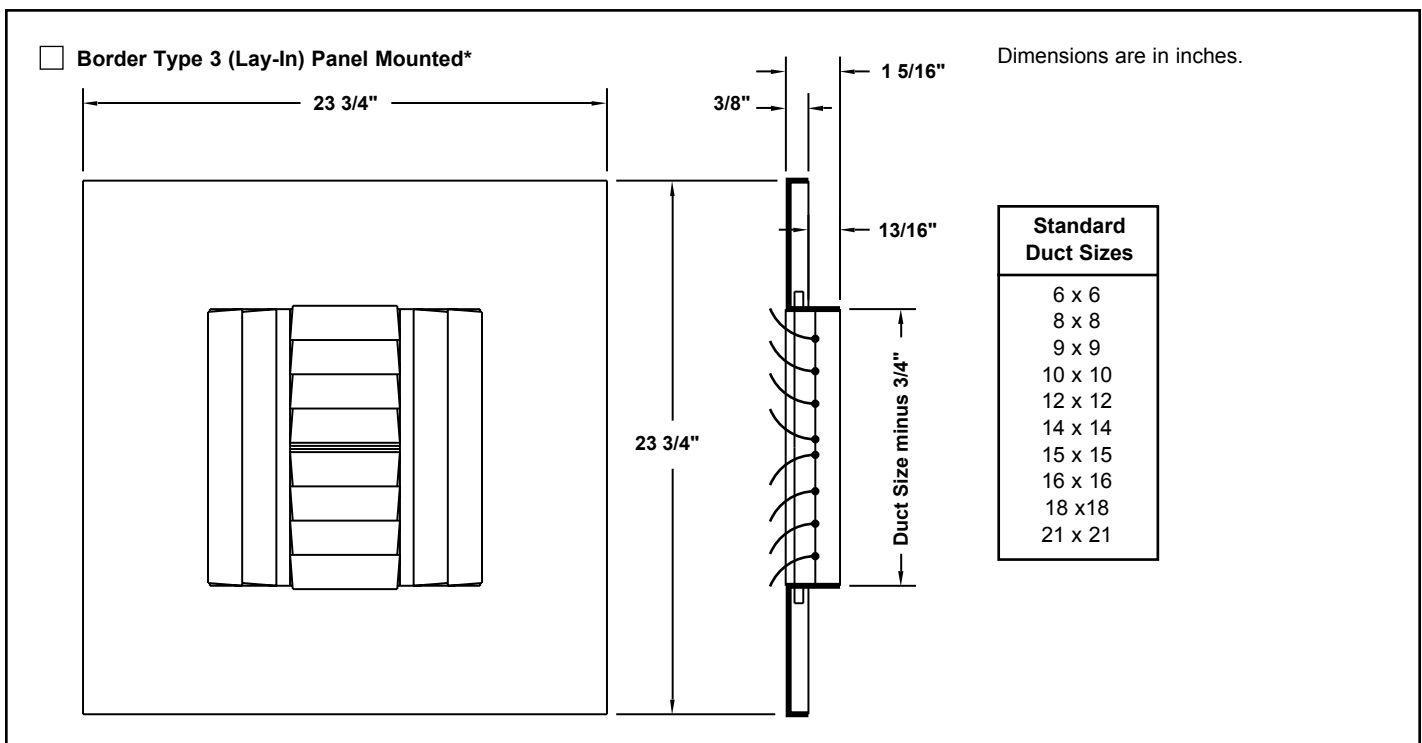
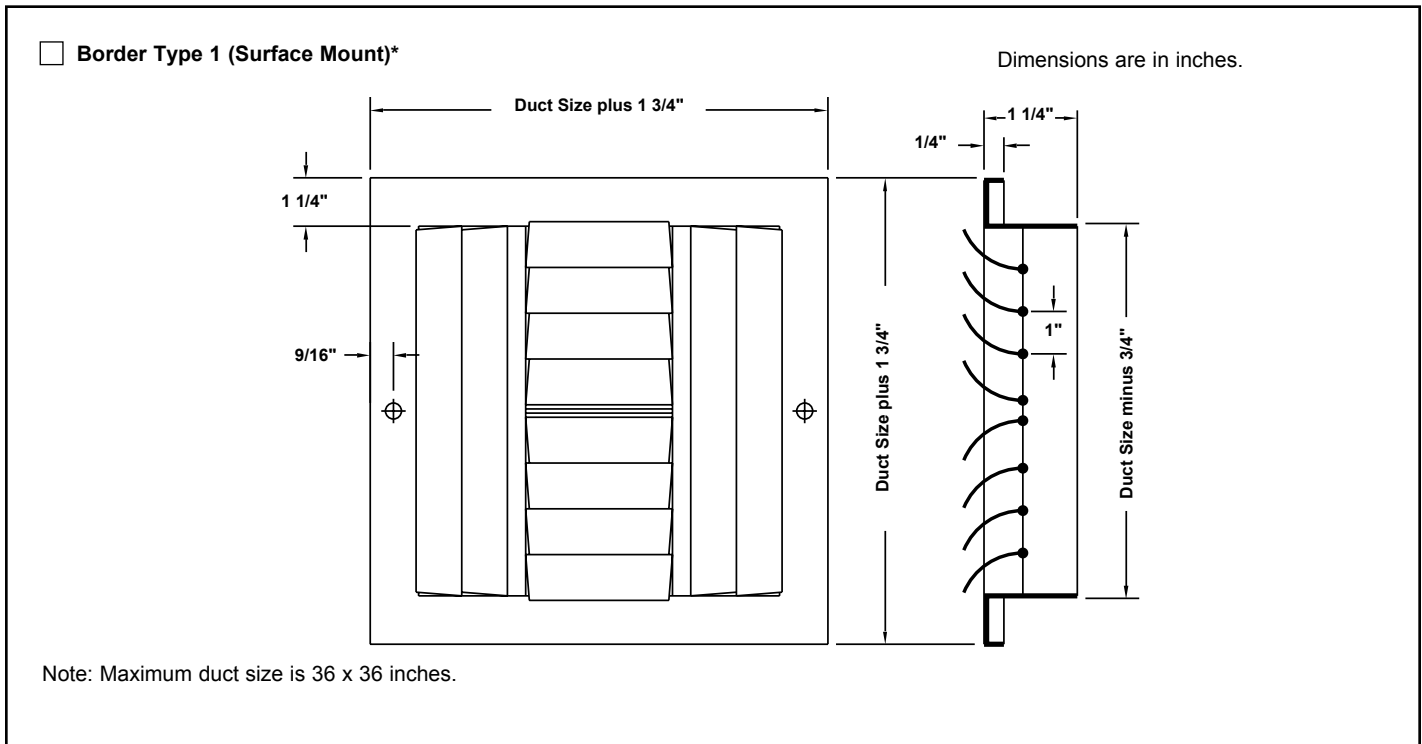


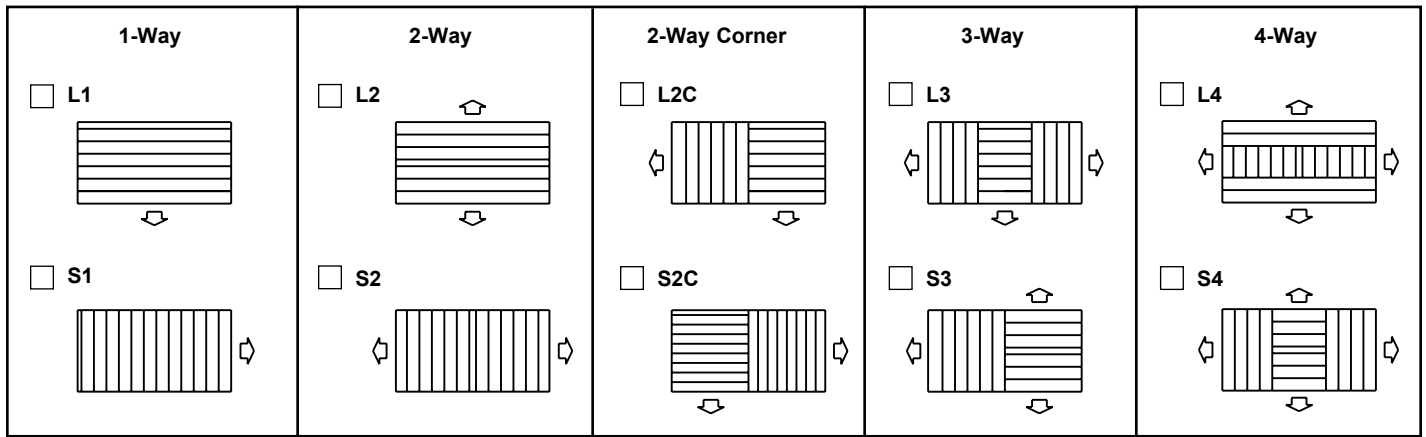
## Rectangular Ceiling and Side Wall Diffusers Steel • Adjustable

Models: 250 • Multi-Use • 1, 2, 3, or 4 Way Discharge Pattern



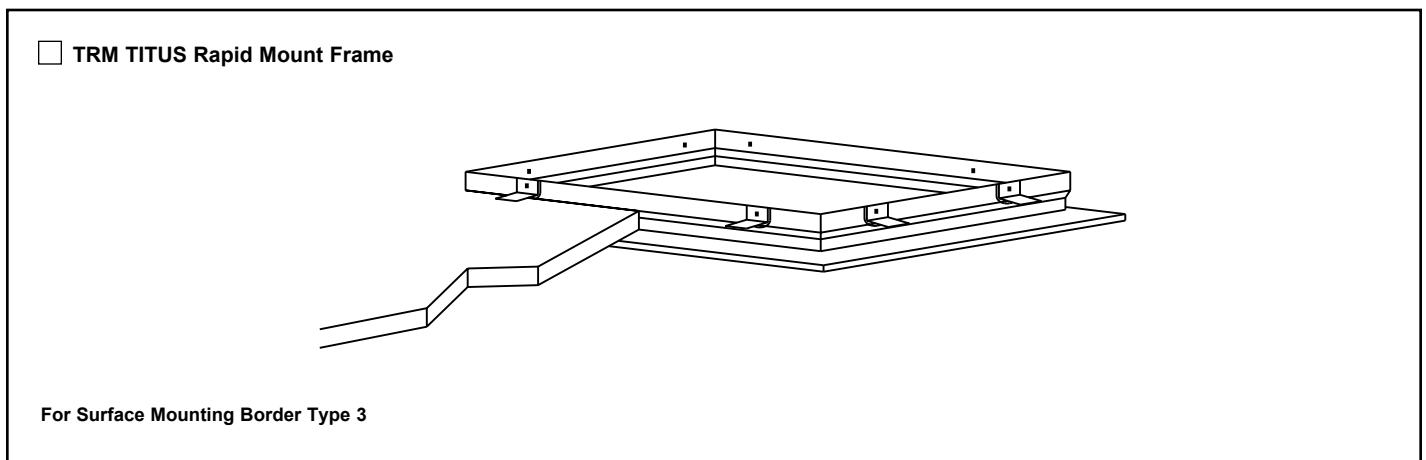
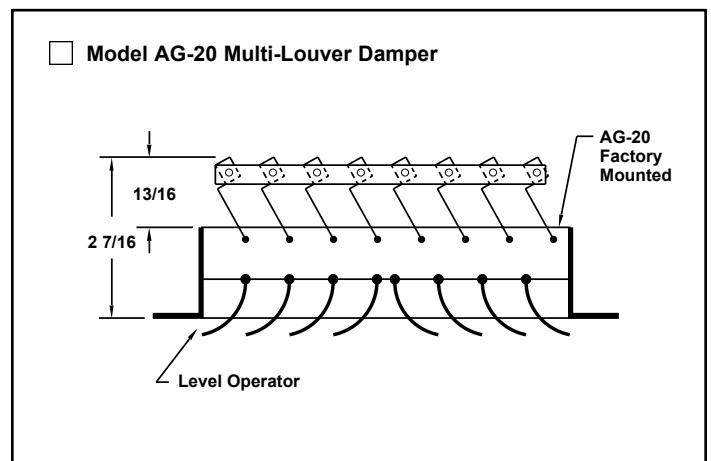
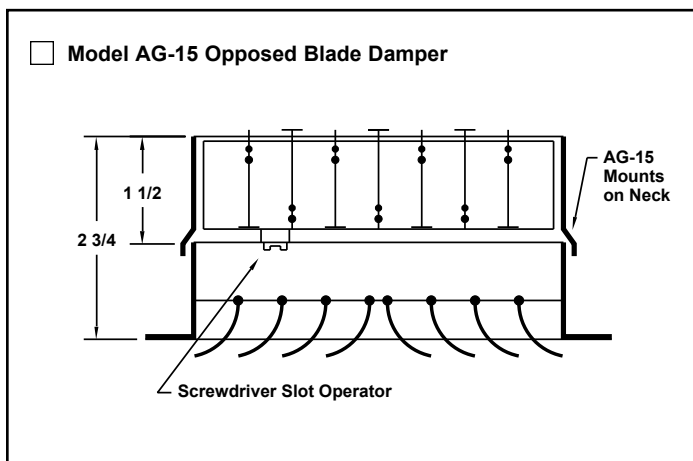
\* Note: 4-Way discharge pattern S-4 is shown. For other available patterns, please see reverse side.

## Optional Patterns selection



Note: For square diffuser (Height = Width), specify S-1, S-2, etc. Patterns are shown looking at the diffuser face.

## Accessories (Optional) if provided



## Standard Finish: #26 White

### General Description

---

- Model 250 is designed for installation in either the ceiling or the side wall.
- Available with 1-way, 2-way, 3-way or 4-way discharge pattern.
- For Frame Type 1, the 1-way discharge pattern is available in duct sizes 6 x 4 through 36 x 36 inches. the 2-way, 2-way corner, 3-way and 4-way patterns are available in duct sizes 6 x 6 through 36 x 36 inches.
- Louvers are individually adjustable from the face of the diffuser. Louvers regulate air volume as well as angle of discharge.
- Optical Model AG-15 opposed blade damper has a screwdriver adjustment accessible through the face of the diffuser. Mounts on the neck of the diffuser. Galvanized steel.
- Optional Model AG-15 multi-louver damper has an adjustment lever at the face of the diffuser. Mounted on the diffuser at the factory. Steel, finished to match the diffuser.
- Material is steel.



Note: This submittal is meant to demonstrate general dimensions of this product. The drawings on this submittal are not meant to detail every aspect of the product with exactness. Drawings are not to scale. TITUS reserves the right to make changes without written notice.

**605 Shiloh Road • Plano, Texas 75074 • 972-212-4800**

All rights reserved. No part of this work may be reproduced or transmitted in any form or any means, electronic or mechanical, including photocopying and recording, or by any information storage retrieval system without permission in writing from Air Distribution Technologies.