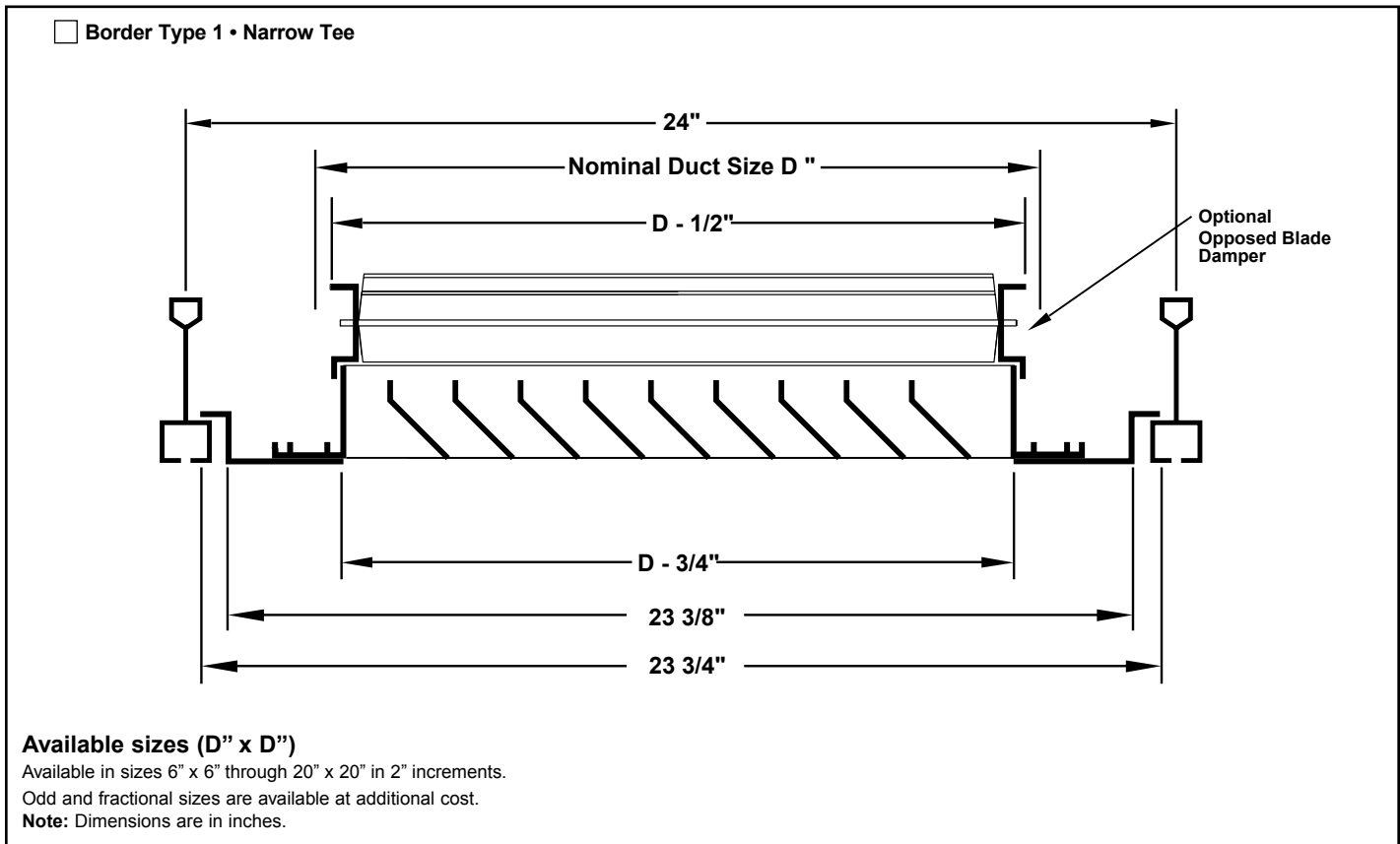
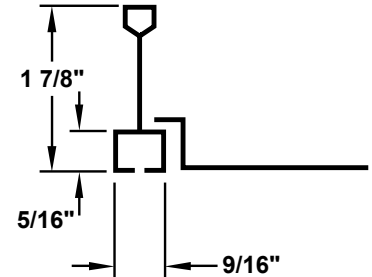


Louvered Return Grilles and Registers • Aero-Blade Series Aluminum • Narrow Tee

- Models: 3FL-NT • 45° Deflection • Long Blades • 3/4" Spacing
 3FS-NT • 45° Deflection • Short Blades • 3/4" Spacing
 56FL-NT • 0° Deflection • Long Blades • 3/4" Spacing
 56FS-NT • 0° Deflection • Long Blades • 3/4" Spacing
 4FL-NT • 45° Deflection • Long Blades • 1/2" Spacing
 4FS-NT • 45° Deflection • Long Blades • 1/2" Spacing
 55FL-NT • 0° Deflection • Long Blades • 1/2" Spacing
 55FS-NT • 0° Deflection • Long Blades • 1/2" Spacing



Accessories (Optional)

Check if provided

- Opposed blade damper (galvanized steel)
 EQT • Earthquake Tabs

- IS • Insect Screen (1/16" square mesh – galvanized steel)
 DS • Debris Screen (1/4" square mesh – galvanized steel)
 Other: _____

Standard Finish: #26 White

Other Finish: _____

General Description

- Optional opposed blade damper has slide adjustment accessible at face of register.
- Material is steel.

ABG-20.0-S