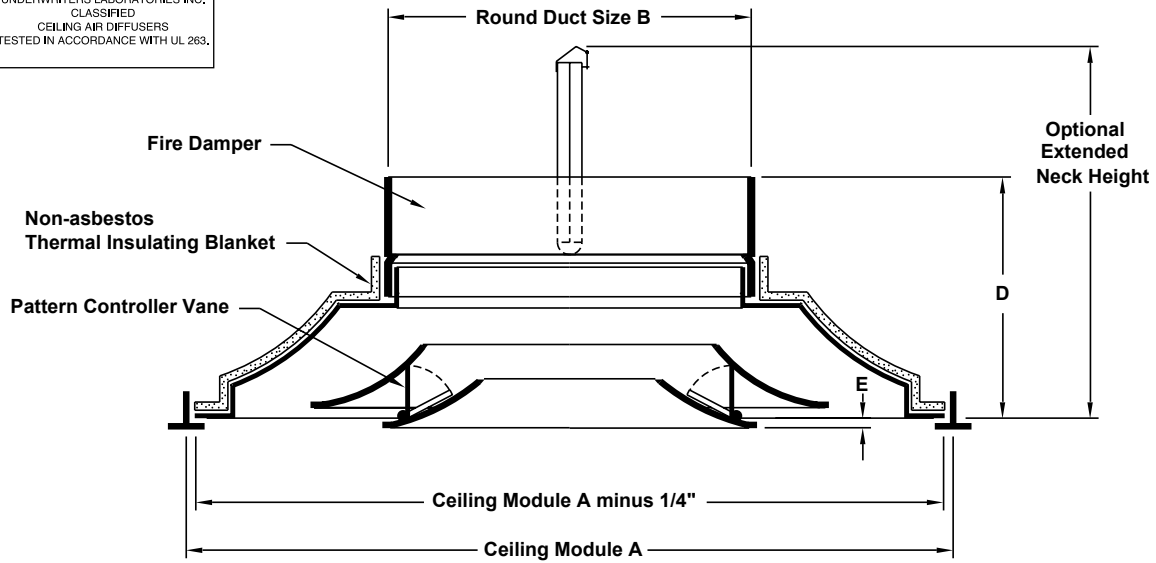


Square Ceiling Diffusers

Steel • Fire Rated • Adjustable • High Performance

Model TMSA-FR • Round Neck • Vertical-to-Horizontal Discharge Pattern

Border Type 3 (Lay-In) With Fire Damper • Full Face



Ceiling Module A	Round Duct Size B	D	E
12 x 12	6, 7	5 7/8	3/8
12 x 12	8	5 3/4	5/8
24 x 24	8	7 5/8	1/4
24 x 24	10, 12, 14, 15	7 3/4	1/4

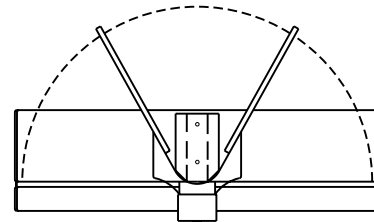
Accessories (Optional)

Check if provided

Fire Damper with Extended Neck

Round Duct Size B	Extended Neck Height
6", 7"	8 7/8"
8"	8 3/4"
10"	10 5/8"
12", 14", 15"	10 3/4"

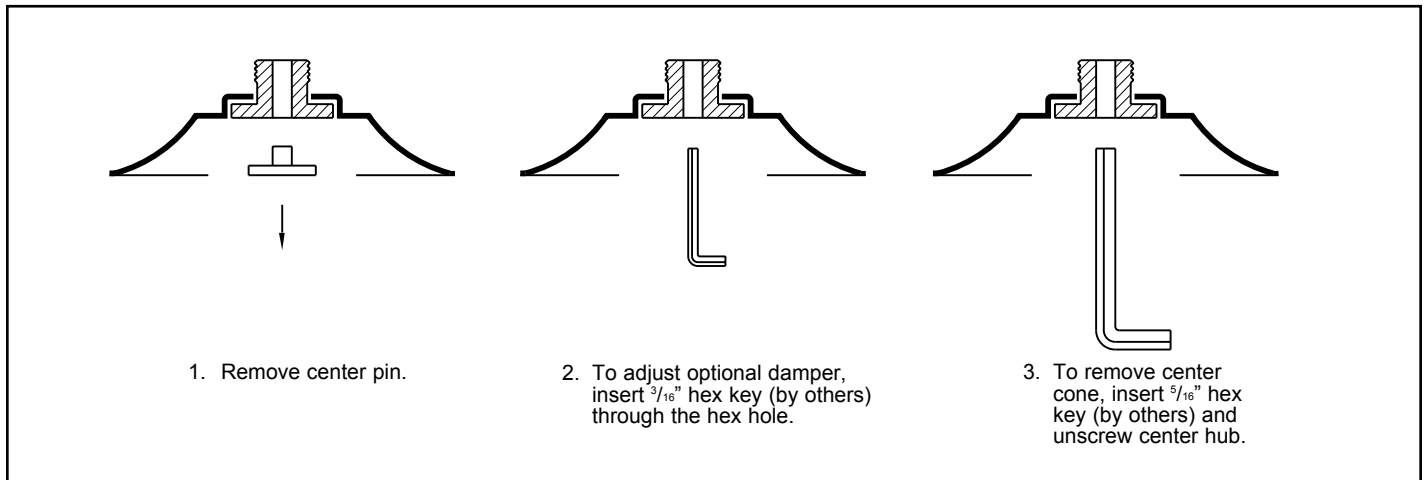
UL Listed Fusible Volume Adjustment Control - Allows adjustment of fire damper blades to balance airflow. A standard 3/16" hex key (by others) is required for adjustment.



Other Accessories (Optional)

Fusible Link 165° F (212° F is standard).

Optional Volume Adjustment Damper Control • Removing Center Cone



Standard Finish: #26 White

General Description

- Model TMSA-FR is a UL Classified Fire Rated Ceiling Diffuser Assembly listed in The Underwriters Laboratories "Fire Resistance Directory."
- The Ceiling Diffuser Assembly has a fire resistance rating of 3 hours or less when installed in accordance with the installation instructions.
- Model TMSA-FR includes adjustable vanes which vary the discharge pattern between horizontal and vertical.

- Model TMSA-FR delivers supply air in a true 360° pattern. Designed to protect ceiling from streaking and smudging associated with many other types of ceiling diffusers.
- Excellent for variable volume systems. The uniform, jet maintains effective room air distribution even when the air volume varies over a considerable range.
- The TMSA-FR consists of 3 concentric cones in all sizes. This uniformity of design enhances appearance in installations where more than one size is involved.

- Adjustment of the optional volume adjustment damper is achieved without removing the inner cone (see above).
- Quick removal of the inner cone with a hex key speeds installation (see above).
- All cones are die-stamped, one-piece construction with smooth, clean surfaces and no corner joints.
- Material is heavy gauge steel.

Model TMSA-FR Discharge Patterns

