

AG-65

- Quickly installed with sheet metal screws flush with entrance to the branch take-off. The damper blade opens upstream in the main duct to catch the air and divert it into the take-off.
- Individually adjustable vanes with friction pivots equalize velocities entering the diffuser neck
- Nominal Sizes: 4, 5, 6, 7, 8, 10, 12, 14, 15, 16, 18, 20, 24, 30, 36



AG-65



air balancing

MODEL:

AG-65 / For Round Necks

FINISHES:

Standard Finish - #84 Black
Optional Finish - #04 Mill

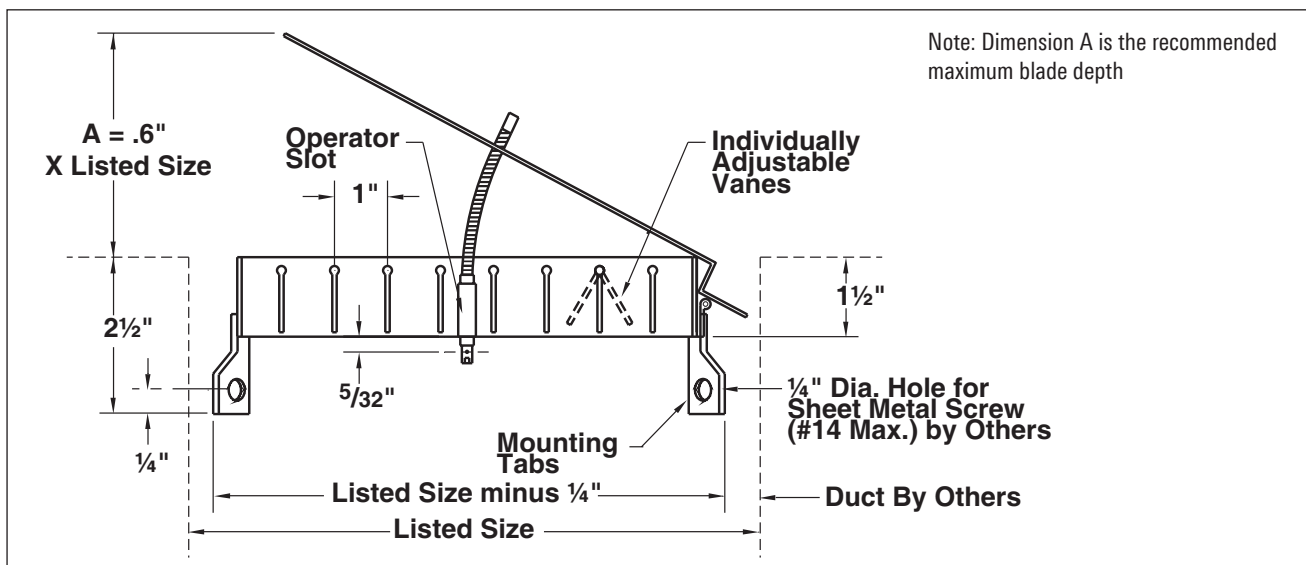


See website for Specifications

OVERVIEW

Damper with Grid

Effective air balancing begins with the balancing provisions that are designed into the HVAC system. Titus balancing devices are easy to select and specify. They are designed for quick access and adjustment and are engineered for the least possible noise, turbulence and air resistance. Titus makes available published flow factors for all Titus diffusers. This allows precision balancing to be performed in the field with accuracy based on prior test results.



All dimensions are in inches