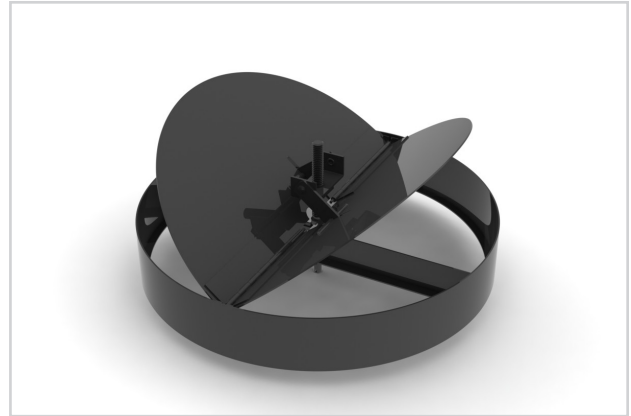


AG-85

- A low cost damper for volume control in round neck diffusers. Continuously adjustable. Friction pivots hold the heavy gauge blades at the desired setting. Quickly, easily adjusted from the face side of the diffuser.
- Not recommended for use with flexible duct
- Steel material



AG-85



air balancing



See website for Specifications

MODEL:

AG-85 / Duct Mounted

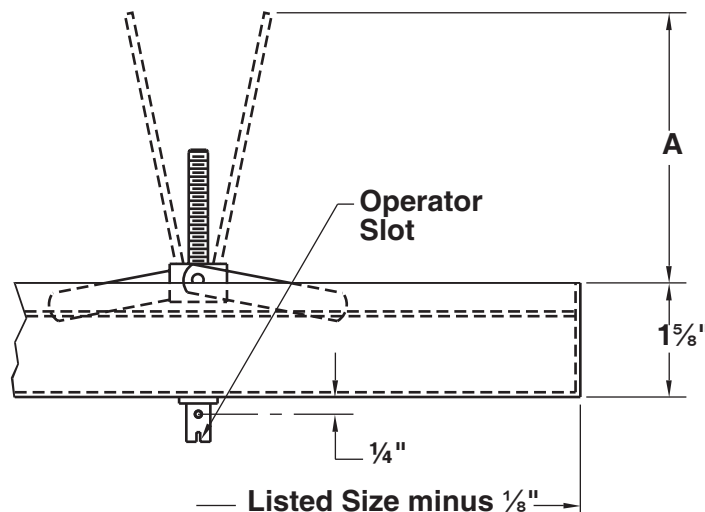
FINISH:

Standard Finish - #84 Black

OVERVIEW

Butterfly

Effective air balancing begins with the balancing provisions that are designed into the HVAC system. Titus balancing devices are easy to select and specify. They are designed for quick access and adjustment and are engineered for the least possible noise, turbulence and air resistance. Titus makes available published flow factors for all Titus diffusers. This allows precision balancing to be performed in the field with accuracy based on prior test results.



Nominal Size	A
4	1 ⁷ / ₁₆
5	1 ¹⁵ / ₁₆
6	2 ⁷ / ₁₆
7	2 ¹⁵ / ₁₆
8	3 ⁷ / ₁₆
10	4 ⁷ / ₁₆
12	5 ⁷ / ₁₆
14	6 ⁷ / ₁₆
15	6 ¹⁵ / ₁₆
16	7 ⁷ / ₁₆
18	8 ⁷ / ₁₆
20	9 ⁷ / ₁₆
24	11 ⁷ / ₁₆