

PF / PFA / PF-SS

- Not available in sizes over 48 inches in either dimension
- Wall opening should be listed duct size plus  $\frac{1}{8}$ " to listed duct size plus  $\frac{1}{4}$ "
- Models PF, PFA, and PF-SS can be installed as either surface mount or recessed



PF / PFA / PF-SS



mounting frames

MODELS:

PF / Steel  
PFA / Aluminum  
PF-SS / 304 Stainless Steel

FINISHES:

Standard Finish - #26 White  
Optional Finish - #01 Aluminum / #04 Mill

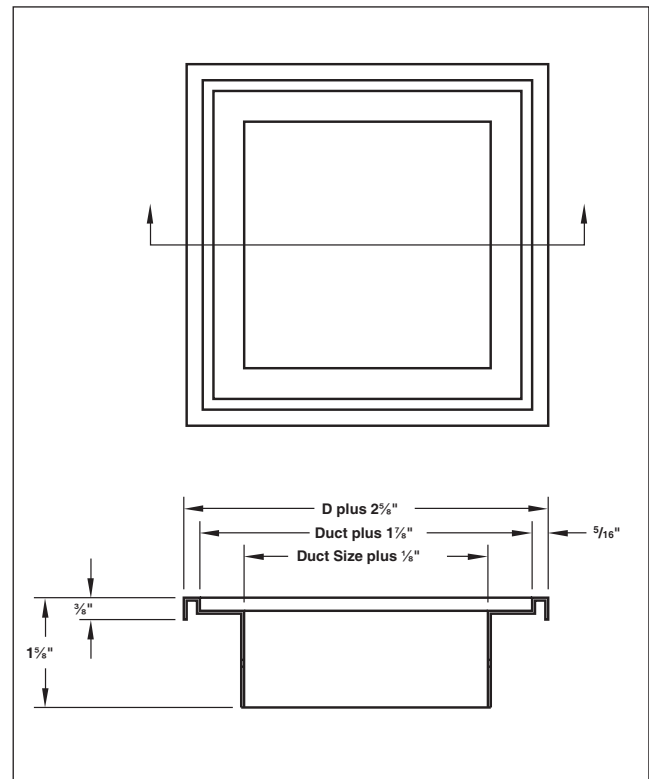
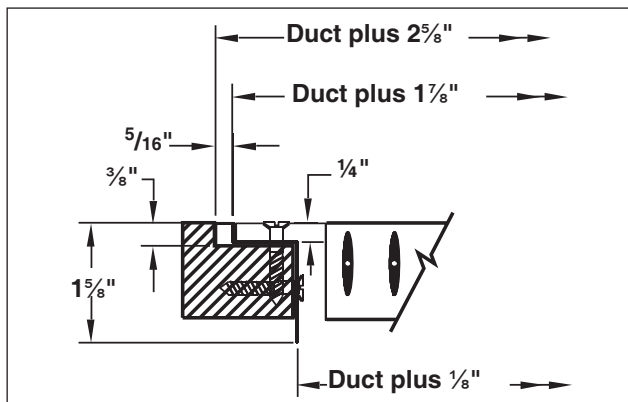
OVERVIEW

Plaster Frames

Titus mounting frames make installation of grilles, diffusers and other ceiling components in plaster and sheet rock ceilings as simple as inserting them in a standard T-bar type ceiling. For typical applications, the frame has adjustable fastening clips which adapt to a variety of plaster and sheet rock ceiling thicknesses.



See website for Specifications



All dimensions are in inches