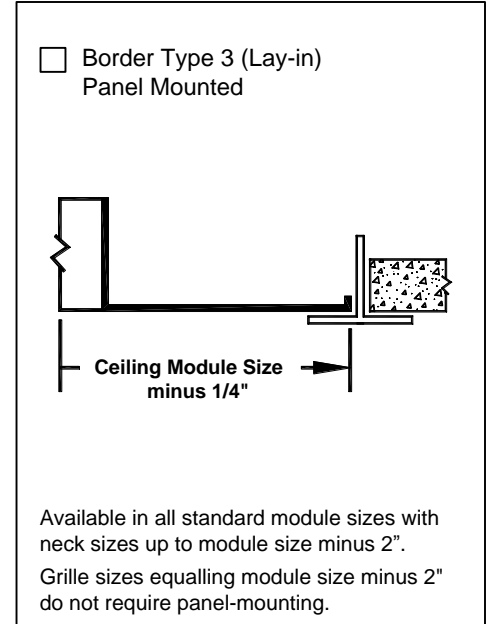
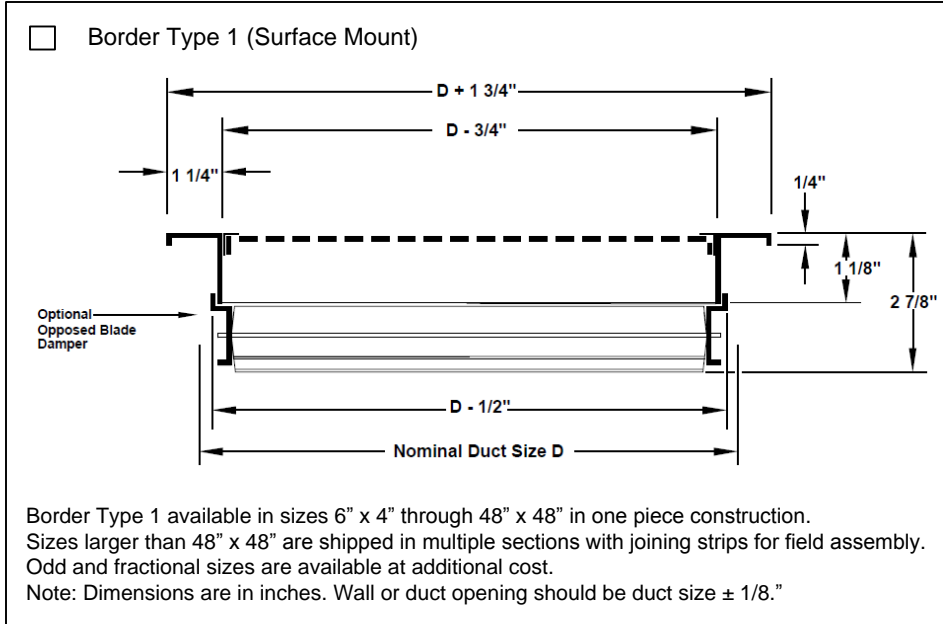
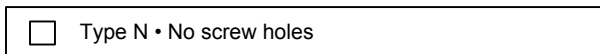
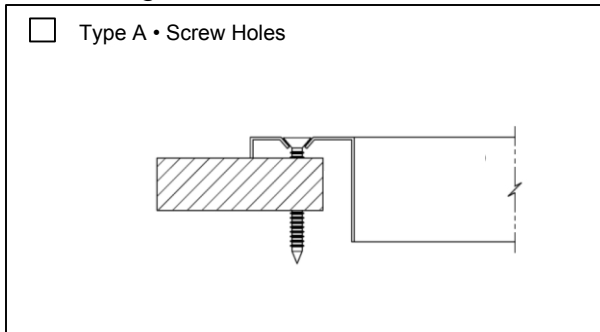


## Perforated Return Grille Steel Border • Steel Perforated Face

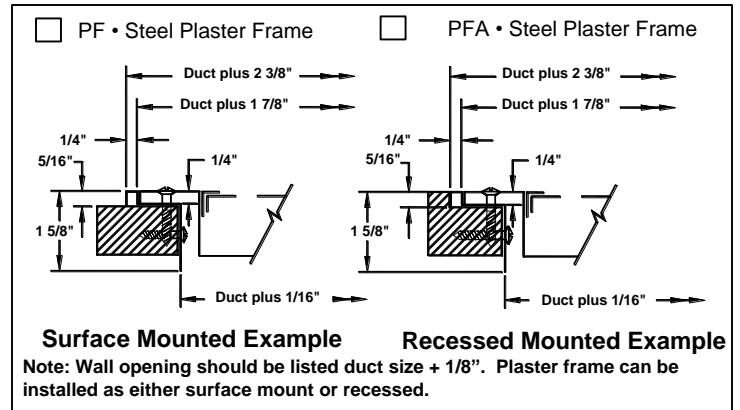
Model: 8R



### Fastening



### Mounting Frames



Accessories (Optional) Check  if provided.

- |  |   |
|--|---|
| <input type="checkbox"/> Neck mounted opposed blade damper (galvanized steel)      | <input type="checkbox"/> DS • Debris Screen (1/4" square mesh – galvanized steel) |
| <input type="checkbox"/> IS • Insect Screen (1/16" square mesh – galvanized steel) | <input type="checkbox"/> EQT • Earthquake tabs                                    |
|  | <input type="checkbox"/> Other: _____   |

Standard Finish: #26 White

Other Finish: \_\_\_\_\_

### General Description

- Model 8R provides a smooth, perforated face that fits flush with the ceiling to blend with the room decor.
- 3/16" staggered holes on 1/4" centers.
- 51% free area.
- Optional opposed blade damper has screwdriver adjustment accessible through face of grille.
- Material is steel border with steel perforated face.

This submittal is meant to demonstrate general dimensions of this product. The drawings are not meant to detail every aspect of the product. Drawings are not to scale. Titus reserves the right to make changes without written notice.