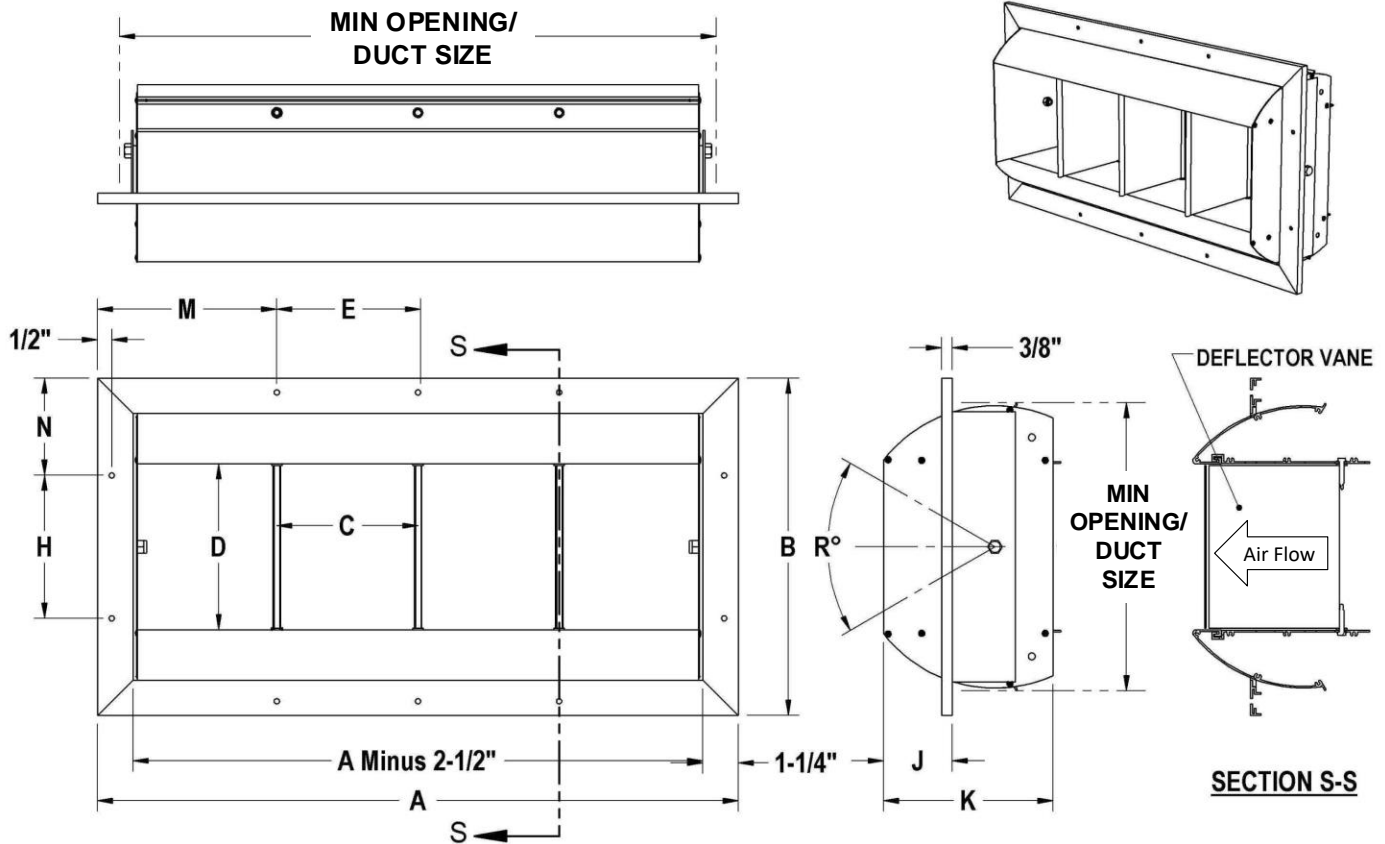


Commercial / Industrial Supply Grilles Aluminum Drum • Aluminum Border

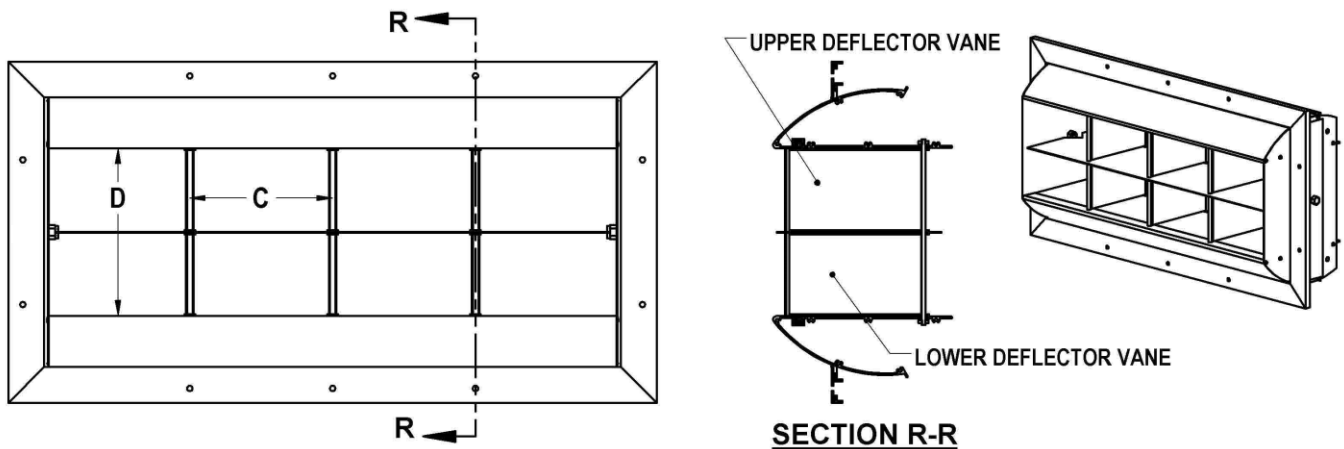
Model: DL • High Capacity • Long Throw
DL-SV • High Capacity • Long Throw • Split Deflector Vane

DL – Surface Mount Border Type 1



Note: See sheet 2 and 3 for dimensions.

DL-SV Surface Mount Border Type 1



Dimensions of DL-SV are identical to DL.

Dimensions

Listed Size (Inches)	Min Opening/ Duct Size (inches)	A	B	C	D	E	H	J	K	L Number of Vanes	M	N	P Number of Screw Holes
9 x 4	10-1/8 x 4-5/8	11-11/16	6- 1/2	3	2-3/8	-	-	1- 5/16	3- 9/16	2	5-27/32	3- 1/4	4
12 x 4	13-1/8 x 4-5/8	14-11/16	6- 1/2	3	2-3/8	5	-	1- 5/16	3- 9/16	3	4-27/32	3- 1/4	6
15 x 4	16-1/8 x 4-5/8	17-11/16	6- 1/2	3	2-3/8	5	-	1- 5/16	3- 9/16	4	6-11/32	3- 1/4	6
18 x 4	19-1/8 x 4-5/8	20-11/16	6- 1/2	3	2-3/8	5	-	1- 5/16	3- 9/16	5	5-11/32	3- 1/4	8
20 x 4	21-1/8 x 4-5/8	22-11/16	6- 1/2	3	2-3/8	5	-	1- 5/16	3- 9/16	6	6-11/32	3- 1/4	8
24 x 4	25-1/8 x 4-5/8	26-11/16	6- 1/2	3	2-3/8	5	-	1- 5/16	3- 9/16	7	5-27/32	3- 1/4	10
25 x 4	26-1/8 x 4-5/8	27-11/16	6- 1/2	3	2-3/8	5	-	1- 5/16	3- 9/16	7	6-11/32	3- 1/4	10
30 x 4	31-1/8 x 4-5/8	32-11/16	6- 1/2	3	2-3/8	5	-	1- 5/16	3- 9/16	9	6-11/32	3- 1/4	12
35 x 4	36-1/8 x 4-5/8	37-11/16	6- 1/2	3	2-3/8	5	-	1- 5/16	3- 9/16	11	6-11/32	3- 1/4	14
36 x 4	37-1/8 x 4-5/8	38-11/16	6- 1/2	3	2-3/8	5	-	1- 5/16	3- 9/16	11	6-27/32	3- 1/4	14
40 x 4	41-1/8 x 4-5/8	42-11/16	6- 1/2	3	2-3/8	5	-	1- 5/16	3- 9/16	12	6-11/32	3- 1/4	16
48 x 4	49-1/8 x 4-5/8	50-11/16	6- 1/2	3	2-3/8	5	-	1- 5/16	3- 9/16	15	5-11/32	3- 1/4	20
50 x 4	51-1/8 x 4-5/8	52-11/16	6- 1/2	3	2-3/8	5	-	1- 5/16	3- 9/16	16	6-11/32	3- 1/4	20
60 x 4	61-1/8 x 4-5/8	62-11/16	6- 1/2	3	2-3/8	5	-	1- 5/16	3- 9/16	19	6-11/32	3- 1/4	24
70 x 4	71-1/8 x 4-5/8	72-11/16	6- 1/2	3	2-3/8	5	-	1- 5/16	3- 9/16	22	6-11/32	3- 1/4	28

9 x 6	10-1/8 x 6-5/8	11-11/16	8- 3/16	3	3-3/8	-	-	1- 9/16	4- 1/16	2	5-27/32	4- 3/32	4
12 x 6	13-1/8 x 6-5/8	14-11/16	8- 3/16	3	3-3/8	5	-	1- 9/16	4- 1/16	3	4-27/32	4- 3/32	6
15 x 6	16-1/8 x 6-5/8	17-11/16	8- 3/16	3	3-3/8	5	-	1- 9/16	4- 1/16	4	6-11/32	4- 3/32	6
18 x 6	19-1/8 x 6-5/8	20-11/16	8- 3/16	3	3-3/8	5	-	1- 9/16	4- 1/16	5	5-11/32	4- 3/32	8
20 x 6	21-1/8 x 6-5/8	22-11/16	8- 3/16	3	3-3/8	5	-	1- 9/16	4- 1/16	6	6-11/32	4- 3/32	8
24 x 6	25-1/8 x 6-5/8	26-11/16	8- 3/16	3	3-3/8	5	-	1- 9/16	4- 1/16	7	5-27/32	4- 3/32	10
25 x 6	26-1/8 x 6-5/8	27-11/16	8- 3/16	3	3-3/8	5	-	1- 9/16	4- 1/16	7	6-11/32	4- 3/32	10
30 x 6	31-1/8 x 6-5/8	32-11/16	8- 3/16	3	3-3/8	5	-	1- 9/16	4- 1/16	9	6-11/32	4- 3/32	12
35 x 6	36-1/8 x 6-5/8	37-11/16	8- 3/16	3	3-3/8	5	-	1- 9/16	4- 1/16	11	6-11/32	4- 3/32	14
36 x 6	37-1/8 x 6-5/8	38-11/16	8- 3/16	3	3-3/8	5	-	1- 9/16	4- 1/16	11	6-27/32	4- 3/32	14
40 x 6	41-1/8 x 6-5/8	42-11/16	8- 3/16	3	3-3/8	5	-	1- 9/16	4- 1/16	12	6-11/32	4- 3/32	16
48 x 6	49-1/8 x 6-5/8	50-11/16	8- 3/16	3	3-3/8	5	-	1- 9/16	4- 1/16	15	5-11/32	4- 3/32	20
50 x 6	51-1/8 x 6-5/8	52-11/16	8- 3/16	3	3-3/8	5	-	1- 9/16	4- 1/16	16	6-11/32	4- 3/32	20
60 x 6	61-1/8 x 6-5/8	62-11/16	8- 3/16	3	3-3/8	5	-	1- 9/16	4- 1/16	19	6-11/32	4- 3/32	24
70 x 6	71-1/8 x 6-5/8	72-11/16	8- 3/16	3	3-3/8	5	-	1- 9/16	4- 1/16	22	6-11/32	4- 3/32	28

9 x 8	10-1/8 x 8-5/8	11-11/16	10- 3/16	3	4-3/8	-	-	2- 5/16	6- 1/4	2	5-27/32	5- 3/32	4
12 x 8	13-1/8 x 8-5/8	14-11/16	10- 3/16	3	4-3/8	5	-	2- 5/16	6- 1/4	3	4-27/32	5- 3/32	6
15 x 8	16-1/8 x 8-5/8	17-11/16	10- 3/16	3	4-3/8	5	-	2- 5/16	6- 1/4	4	6-11/32	5- 3/32	6
18 x 8	19-1/8 x 8-5/8	20-11/16	10- 3/16	3	4-3/8	5	-	2- 5/16	6- 1/4	5	5-11/32	5- 3/32	8
20 x 8	21-1/8 x 8-5/8	22-11/16	10- 3/16	3	4-3/8	5	-	2- 5/16	6- 1/4	6	6-11/32	5- 3/32	8
24 x 8	25-1/8 x 8-5/8	26-11/16	10- 3/16	3	4-3/8	5	-	2- 5/16	6- 1/4	7	5-27/32	5- 3/32	10
25 x 8	26-1/8 x 8-5/8	27-11/16	10- 3/16	3	4-3/8	5	-	2- 5/16	6- 1/4	7	6-11/32	5- 3/32	10
30 x 8	31-1/8 x 8-5/8	32-11/16	10- 3/16	3	4-3/8	5	-	2- 5/16	6- 1/4	9	6-11/32	5- 3/32	12
35 x 8	36-1/8 x 8-5/8	37-11/16	10- 3/16	3	4-3/8	5	-	2- 5/16	6- 1/4	11	6-11/32	5- 3/32	14
36 x 8	37-1/8 x 8-5/8	38-11/16	10- 3/16	3	4-3/8	5	-	2- 5/16	6- 1/4	11	6-27/32	5- 3/32	14
40 x 8	41-1/8 x 8-5/8	42-11/16	10- 3/16	3	4-3/8	5	-	2- 5/16	6- 1/4	12	6-11/32	5- 3/32	16
48 x 8	49-1/8 x 8-5/8	50-11/16	10- 3/16	3	4-3/8	5	-	2- 5/16	6- 1/4	15	5-11/32	5- 3/32	20
50 x 8	51-1/8 x 8-5/8	52-11/16	10- 3/16	3	4-3/8	5	-	2- 5/16	6- 1/4	16	6-11/32	5- 3/32	20
60 x 8	61-1/8 x 8-5/8	62-11/16	10- 3/16	3	4-3/8	5	-	2- 5/16	6- 1/4	19	6-11/32	5- 3/32	24
70 x 8	71-1/8 x 8-5/8	72-11/16	10- 3/16	3	4-3/8	5	-	2- 5/16	6- 1/4	22	6-11/32	5- 3/32	28

Dimensions

Listed Size (Inches)	Min Opening/ Duct Size (inches)	A	B	C	D	E	H	J	K	L Number of Vanes	M	N	P Number of Screw Holes
9 x 10	10-1/8 x 10-5/8	11-11/16	11-15/16	5	5-7/8	5	5- 1/16	2- 7/16	6	2	5-27/32	3- 7/16	6
12 x 10	13-1/8 x 10-5/8	14-11/16	11-15/16	5	5-7/8	5	5- 1/16	2- 7/16	6	3	4-27/32	3- 7/16	8
15 x 10	16-1/8 x 10-5/8	17-11/16	11-15/16	5	5-7/8	5	5- 1/16	2- 7/16	6	4	6-11/32	3- 7/16	8
18 x 10	19-1/8 x 10-5/8	20-11/16	11-15/16	5	5-7/8	5	5- 1/16	2- 7/16	6	5	5-11/32	3- 7/16	10
20 x 10	21-1/8 x 10-5/8	22-11/16	11-15/16	5	5-7/8	5	5- 1/16	2- 7/16	6	6	6-11/32	3- 7/16	10
24 x 10	25-1/8 x 10-5/8	26-11/16	11-15/16	5	5-7/8	5	5- 1/16	2- 7/16	6	7	5-27/32	3- 7/16	12
25 x 10	26-1/8 x 10-5/8	27-11/16	11-15/16	5	5-7/8	5	5- 1/16	2- 7/16	6	7	6-11/32	3- 7/16	12
30 x 10	31-1/8 x 10-5/8	32-11/16	11-15/16	5	5-7/8	5	5- 1/16	2- 7/16	6	9	6-11/32	3- 7/16	14
35 x 10	36-1/8 x 10-5/8	37-11/16	11-15/16	5	5-7/8	5	5- 1/16	2- 7/16	6	11	6-11/32	3- 7/16	16
36 x 10	37-1/8 x 10-5/8	38-11/16	11-15/16	5	5-7/8	5	5- 1/16	2- 7/16	6	11	6-27/32	3- 7/16	16
40 x 10	41-1/8 x 10-5/8	42-11/16	11-15/16	5	5-7/8	5	5- 1/16	2- 7/16	6	12	6-11/32	3- 7/16	18
48 x 10	49-1/8 x 10-5/8	50-11/16	11-15/16	5	5-7/8	5	5- 1/16	2- 7/16	6	15	5-11/32	3- 7/16	22
50 x 10	51-1/8 x 10-5/8	52-11/16	11-15/16	5	5-7/8	5	5- 1/16	2- 7/16	6	16	6-11/32	3- 7/16	22
60 x 10	61-1/8 x 10-5/8	62-11/16	11-15/16	5	5-7/8	5	5- 1/16	2- 7/16	6	19	6-11/32	3- 7/16	26
70 x 10	71-1/8 x 10-5/8	72-11/16	11-15/16	5	5-7/8	5	5- 1/16	2- 7/16	6	22	6-11/32	3- 7/16	30
9 x 12	10-1/8 x 12-5/8	11-11/16	13-15/16	5	6-7/8	5	6- 1/16	3-15/16	6	2	6 11/32	3-15/16	6
12 x 12	13-1/8 x 12-5/8	14-11/16	13-15/16	5	6-7/8	5	6- 1/16	3-15/16	6	3	6 11/32	3-15/16	8
15 x 12	16-1/8 x 12-5/8	17-11/16	13-15/16	5	6-7/8	5	6- 1/16	3-15/16	6	4	6 11/32	3-15/16	8
18 x 12	19-1/8 x 12-5/8	20-11/16	13-15/16	5	6-7/8	5	6- 1/16	3-15/16	6	5	6 11/32	3-15/16	10
20 x 12	21-1/8 x 12-5/8	22-11/16	13-15/16	5	6-7/8	5	6- 1/16	3-15/16	6	6	6 11/32	3-15/16	10
24 x 12	25-1/8 x 12-5/8	26-11/16	13-15/16	5	6-7/8	5	6- 1/16	3-15/16	6	7	6 11/32	3-15/16	12
25 x 12	26-1/8 x 12-5/8	27-11/16	13-15/16	5	6-7/8	5	6- 1/16	3-15/16	6	7	6 11/32	3-15/16	12
30 x 12	31-1/8 x 12-5/8	32-11/16	13-15/16	5	6-7/8	5	6- 1/16	3-15/16	6	9	6 11/32	3-15/16	14
35 x 12	36-1/8 x 12-5/8	37-11/16	13-15/16	5	6-7/8	5	6- 1/16	3-15/16	6	11	6 11/32	3-15/16	16
36 x 12	37-1/8 x 12-5/8	38-11/16	13-15/16	5	6-7/8	5	6- 1/16	3-15/16	6	11	6 11/32	3-15/16	16
40 x 12	41-1/8 x 12-5/8	42-11/16	13-15/16	5	6-7/8	5	6- 1/16	3-15/16	6	12	6 11/32	3-15/16	18
48 x 12	49-1/8 x 12-5/8	50-11/16	13-15/16	5	6-7/8	5	6- 1/16	3-15/16	6	15	6 11/32	3-15/16	22
50 x 12	51-1/8 x 12-5/8	52-11/16	13-15/16	5	6-7/8	5	6- 1/16	3-15/16	6	16	6 11/32	3-15/16	22
60 x 12	61-1/8 x 12-5/8	62-11/16	13-15/16	5	6-7/8	5	6- 1/16	3-15/16	6	19	6 11/32	3-15/16	26
70 x 12	71-1/8 x 12-5/8	72-11/16	13-15/16	5	6-7/8	5	6- 1/16	3-15/16	6	22	6 11/32	3-15/16	30
9 x 15	10-1/8 x 15-5/8	11-11/16	17	5	9-13/16	5	9- 1/8	3-15/16	7- 1/8	2	6 11/32	3-15/16	6
12 x 15	13-1/8 x 15-5/8	14-11/16	17	5	9-13/16	5	9- 1/8	3-15/16	7- 1/8	3	6 11/32	3-15/16	8
15 x 15	16-1/8 x 15-5/8	17-11/16	17	5	9-13/16	5	9- 1/8	3-15/16	7- 1/8	4	6 11/32	3-15/16	8
18 x 15	19-1/8 x 15-5/8	20-11/16	17	5	9-13/16	5	9- 1/8	3-15/16	7- 1/8	5	6 11/32	3-15/16	10
20 x 15	21-1/8 x 15-5/8	22-11/16	17	5	9-13/16	5	9- 1/8	3-15/16	7- 1/8	6	6 11/32	3-15/16	10
24 x 15	25-1/8 x 15-5/8	26-11/16	17	5	9-13/16	5	9- 1/8	3-15/16	7- 1/8	7	6 11/32	3-15/16	12
25 x 15	26-1/8 x 15-5/8	27-11/16	17	5	9-13/16	5	9- 1/8	3-15/16	7- 1/8	7	6 11/32	3-15/16	12
30 x 15	31-1/8 x 15-5/8	32-11/16	17	5	9-13/16	5	9- 1/8	3-15/16	7- 1/8	9	6 11/32	3-15/16	14
35 x 15	36-1/8 x 15-5/8	37-11/16	17	5	9-13/16	5	9- 1/8	3-15/16	7- 1/8	11	6 11/32	3-15/16	16
36 x 15	37-1/8 x 15-5/8	38-11/16	17	5	9-13/16	5	9- 1/8	3-15/16	7- 1/8	11	6 11/32	3-15/16	16
40 x 15	41-1/8 x 15-5/8	42-11/16	17	5	9-13/16	5	9- 1/8	3-15/16	7- 1/8	12	6 11/32	3-15/16	18
48 x 15	49-1/8 x 15-5/8	50-11/16	17	5	9-13/16	5	9- 1/8	3-15/16	7- 1/8	15	6 11/32	3-15/16	22
50 x 15	51-1/8 x 15-5/8	52-11/16	17	5	9-13/16	5	9- 1/8	3-15/16	7- 1/8	16	6 11/32	3-15/16	22
60 x 15	61-1/8 x 15-5/8	62-11/16	17	5	9-13/16	5	9- 1/8	3-15/16	7- 1/8	19	6 11/32	3-15/16	26
70 x 15	71-1/8 x 15-5/8	72-11/16	17	5	9-13/16	5	9- 1/8	3-15/16	7- 1/8	22	6 11/32	3-15/16	30

Model AG-15-HD Opposed Blade Damper

Maximum Rotation	
Nominal Height	R
4	53°
6	56°
8	60°
10	60°
12	50°
15	54°

Note: AG-15-HD not available for 4" nominal height models.

AS – Air Scoop Option

General Description

Standard Finish: 26 White, Optional Finishes: 01 Aluminum, 84 Black

- Designed to handle large air capacity requirements and long throws.
- Well suited for installations where the conditioned space is large, and where it is impractical to bring the duct work close to the occupants. Examples being shopping malls, coliseums, field houses, air terminals, factories and warehouses.
- Optional split vanes provide ability to create turbulent high mixing air patterns to shorten throw distances.
- Adjustable horizontal and vertical throw direction via a rotatable drum and pivoting blades.
- Felt seal between the drum and border to stop leakage and hold the drum securely in the position selected.
- Optional heavy duty opposed blade damper with a screwdriver operator accessible through the face.
- Aluminum Drum with aluminum end caps for extra strength in an aluminum frame.
- Can be operated at high discharge velocities. However, if at these velocities the static pressure across the drum louver itself is more than 0.25" wg, the optional opposed blade damper is not recommended.

This submittal is meant to demonstrate general dimensions of this product. The drawings are not meant to detail every aspect of the product. Drawings are not to scale.

Titus reserves the right to make changes without written notice.

All rights reserved. No part of this work may be reproduced or transmitted in any form or by any means, electronic or mechanical, including photocopying and recording, or by any information storage retrieval system without permission in writing from Air Distribution Technologies.