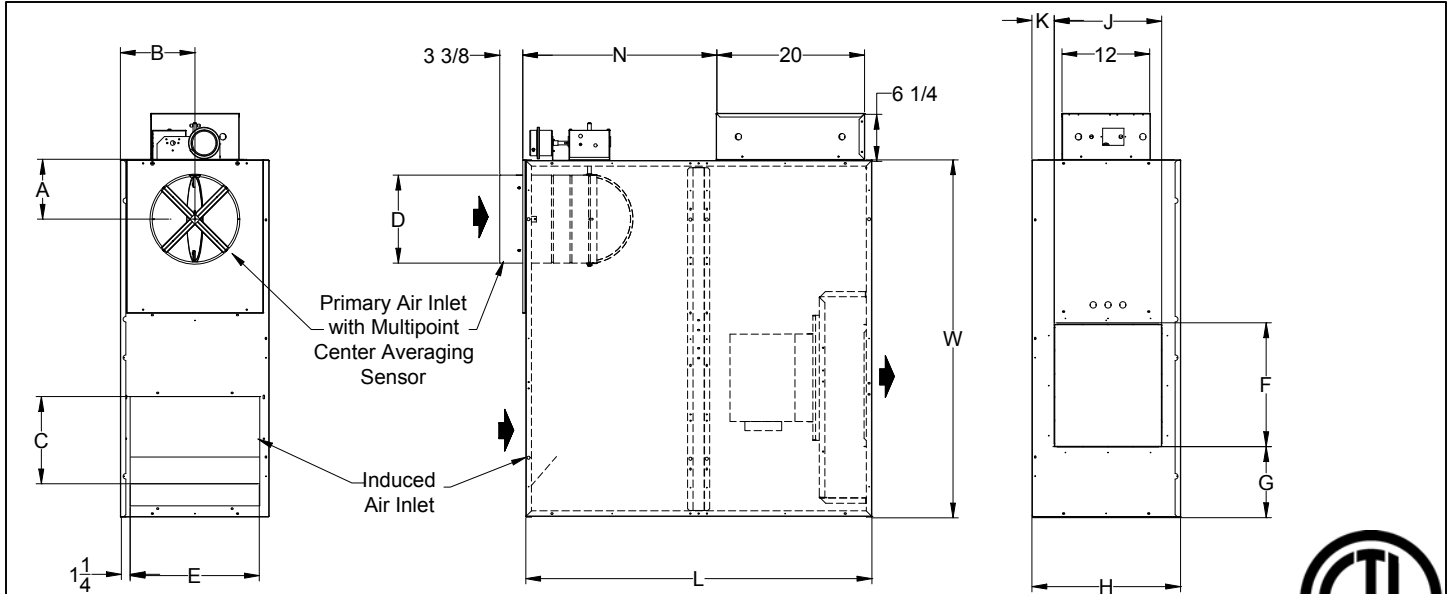


PTQS

Fan Powered Terminal, Series Flow
Pneumatic Control, Pressure Independent



Left hand unit, top view shown. All dimensions are in inches.

Right hand units are built as a mirror image. Inlets, discharge, and control enclosure are opposite of the drawing above.



Unit Size	Inlet Size	A	B	C	D	E	F	G	H	J	K	L	N	W	Filter Size
2, 3	6	6	8 ⁹ / ₁₆	13 ¹ / ₄	5 ⁷ / ₈	14 ¹ / ₂	14	3 ¹ / ₂	17 ¹ / ₈	11	4	40 ⁷ / ₈	20 ¹ / ₈	36 ¹ / ₈	19 x 17
	8	7 ⁷ / ₈													
	10	9 ⁷ / ₈													
	12	11 ⁷ / ₈													
4	8	6	10 ¹ / ₁₆	21	7 ⁷ / ₈	17 ¹ / ₂	16 ¹ / ₂	9 ¹ / ₂	20 ¹ / ₈	14 ¹ / ₂	2 ¹ / ₂	46 ⁷ / ₈	26 ¹ / ₄	48 ¹ / ₈	27 x 20
	10	9 ⁷ / ₈													
	12	11 ⁷ / ₈													
	14	13 ⁷ / ₈													
5	10	7	10 ¹ / ₁₆	21	9 ⁷ / ₈	17 ¹ / ₂	16 ¹ / ₂	9 ¹ / ₂	20 ¹ / ₈	14 ¹ / ₂	2 ¹ / ₂	46 ⁷ / ₈	26 ¹ / ₄	48 ¹ / ₈	27 x 20
	12	11 ⁷ / ₈													
	14	13 ⁷ / ₈													
	16	15 ⁷ / ₈													
6	12	8	10 ¹ / ₁₆	21	11 ⁷ / ₈	17 ¹ / ₂	16 ¹ / ₂	9 ¹ / ₂	20 ¹ / ₈	14 ¹ / ₂	2 ¹ / ₂	46 ⁷ / ₈	26 ¹ / ₄	48 ¹ / ₈	27 x 20
	14	13 ⁷ / ₈													
	16	15 ⁷ / ₈													
7	14	10	10 ¹ / ₁₆	21	13 ⁷ / ₈	17 ¹ / ₂	16 ¹ / ₂	9 ¹ / ₂	20 ¹ / ₈	14 ¹ / ₂	2 ¹ / ₂	46 ⁷ / ₈	26 ¹ / ₄	48 ¹ / ₈	27 x 20
	16	15 ⁷ / ₈													

Motor Amperage Ratings

Unit Size	Motor hp	120/1/60 FLA	208/240/1/60 FLA	277/1/60 FLA
2	¹ / ₆	4.0	1.8	1.3
3	¹ / ₄	7.0	3.0	2.4
4	¹ / ₃	9.8	4.1	2.9
5	¹ / ₃	10.0	4.3	3.3
6	³ / ₄	13.4	7.2	5.4
7	1	N/A	9.0	6.5

FLA = Full Load Amperage, as tested in accordance with UL 1995

All fan motors are single phase, same voltage as electric coil (when supplied), with exception that 277 V motors are used with 480V, 3 phase coils (4 wire wye).

Accessories (Optional)

Check if provided.

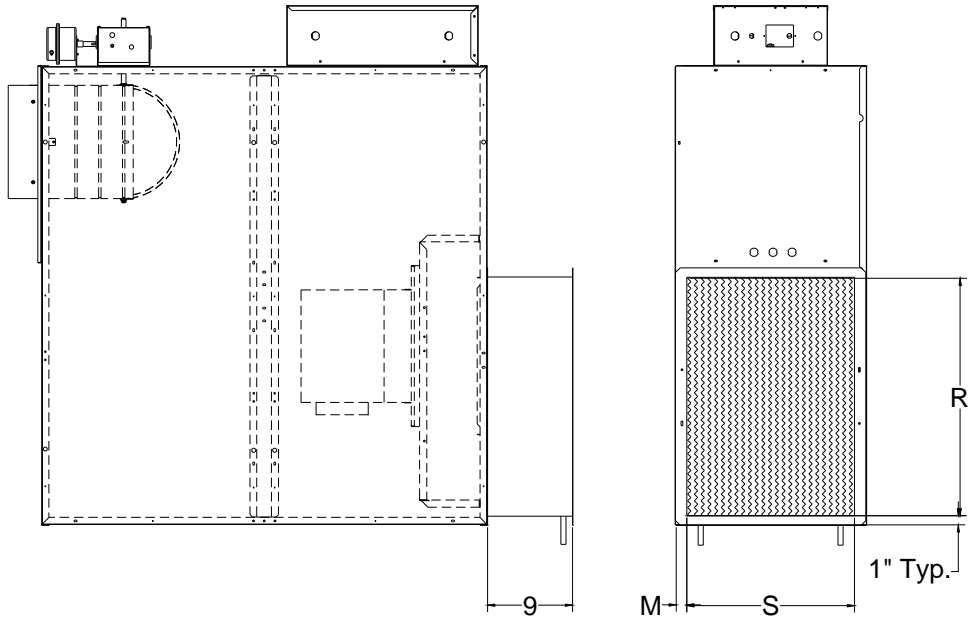
- Induced Air Filter, 1" thick, disposable construction type.
- Fan disconnect switch (not available on units with optional electric coils.)
- Fibre Free Liner
- SteriLoc Liner
- 1/2" EcoShield Liner
- 1/2" EcoShield Liner (Foil Face)
- Fan unit fusing
- Cam Latch for Access Door
- 1" Fiberglass Liner
- 1" EcoShield Liner
- 1" EcoShield Liner (Foil Face)
- Ultraloc Liner
- Hanger Brackets

Accessories (Optional)

Hot Water Coil Section

- 1/2" copper tubes
- Aluminum ripple fins, 10 per inch
- Connections: Male solder, 5/8" for both 1-row and 2-row. Left hand or right hand connections.
- Galvanized steel casing
- Flanged duct connection.
- Coil is installed on discharge of unit.

- 1 Row
 2 Row



Unit Size	M (1 row)	M (2 row)	R	S
2, 3, 4	1	1 1/4	17	15
5, 6, 7	1	1 1/4	25	17 1/2

R and S are inside dimensions.

Electric Coil Section

Standard Features

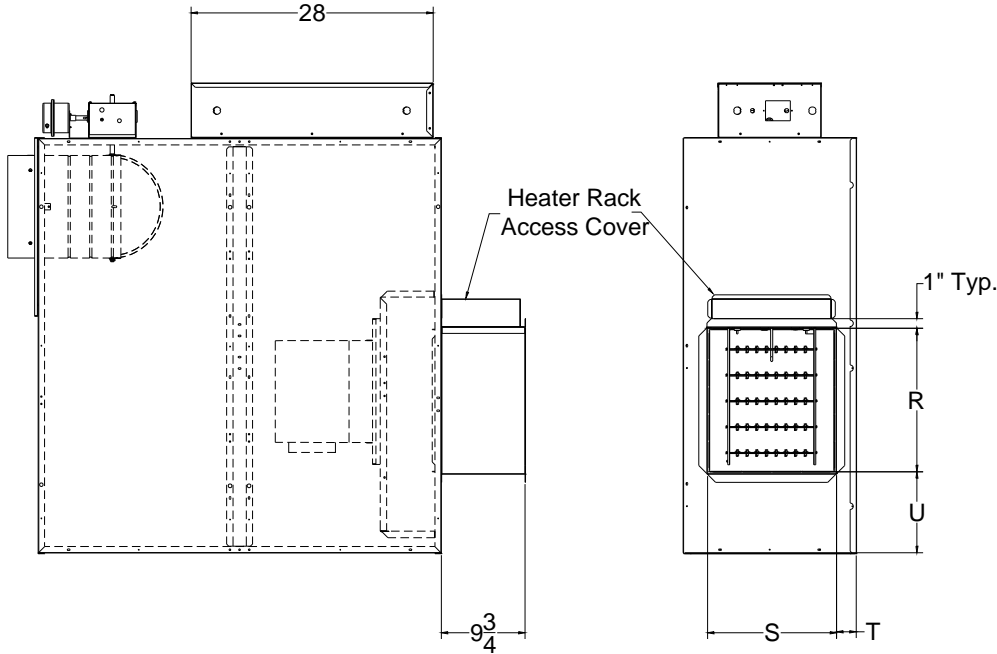
- Single side access to low voltage, high voltage, and electric heater controls.
- Automatic reset thermal cutouts, one per element
- Single point electrical connection for entire unit
- Positive pressure flow switch
- Flanged duct connection
- Coil is installed at discharge of unit.

Options

- Fuse Block
- Disconnect switch, door interlock type
- Manual reset cutout
- Dust tight construction
- Mercury contactors

Supply Voltage

- 208V, 1 ph, 60Hz
- 240V, 1 ph, 60Hz
- 277V, 1 ph, 60Hz
- 208V, 3 ph, 60Hz
- 480V, 3 ph, 60Hz (4 wire wye only)



Unit Size	U	R	S	T
2, 3, 4	3 1/2	14	11	2 1/8
5, 6, 7	9 1/2	16 1/2	14 1/2	3 1/8

R and S are inside dimensions.

Unit size 414 is not available with electric heat.

General Description

- Heavy steel casing, with leak resistant construction.
- Dual density insulation, coated to prevent air erosion, meet requirements of NFPA 90A and UL 181.
- Energy efficient fan motor, permanent split capacitor type, mounted in vibration isolators.
- Adjustable SCR fan speed control with minimum voltage stop.
- Bottom access panels can be removed for service.
- Multipoint, center averaging velocity sensor.
- Primary air flow balancing connections.
- Pressure independent primary flow control.
- Single point electrical connections.
- Rectangular discharge opening is designed for flanged duct connections.