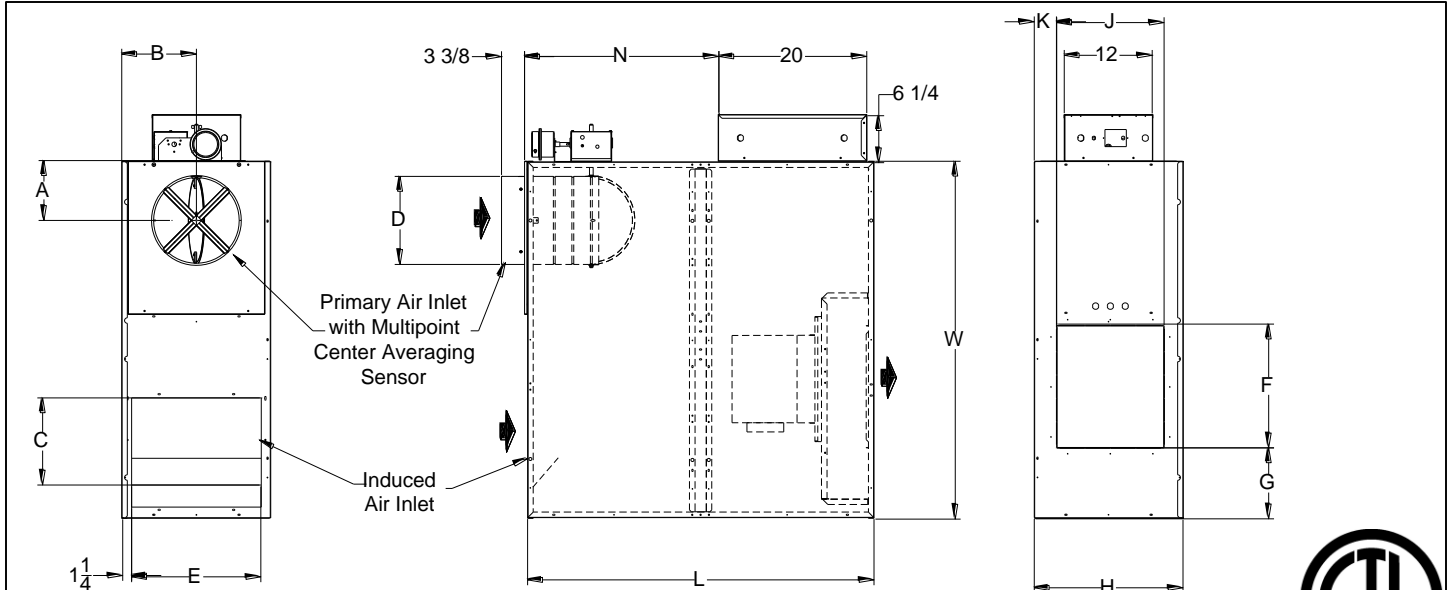


PTQS with TITAN™ Programmed ECM Motor

Fan Powered Terminal, Series Flow with ECM Motor
Pneumatic Control, Pressure Independent



Left hand unit, top view shown. All dimensions are in inches.

Right hand units are built as a mirror image. Inlets, discharge, and control enclosure are opposite of the drawing above.

Unit Size	Inlet Size	A	B	C	D	E	F	G	H	J	K	L	N	W	Filter Size
4	8	6			7 ⁷ / ₈										
	10	7	8 ⁹ / ₁₆	13 ¹ / ₄	9 ⁷ / ₈	14 ¹ / ₂	14	3 ¹ / ₂	17 ¹ / ₈	11	4	40 ⁷ / ₈	20 ¹ / ₈	36 ¹ / ₈	19 x 17
	12	8			11 ⁷ / ₈										
	14	10			13 ⁷ / ₈										
6	12	8			11 ⁷ / ₈										
	14	10	10 ¹ / ₁₆	21	13 ⁷ / ₈	17 ¹ / ₂	16 ¹ / ₂	9 ¹ / ₂	20 ¹ / ₈	14 ¹ / ₂	2 ¹ / ₂	46 ⁷ / ₈	26 ¹ / ₄	48 ¹ / ₈	27 x 20
	16	11			15 ⁷ / ₈										

ECM Motor Amperage Ratings

Unit Size	Motor hp	120V/1/60 FLA	208V/1/60 FLA	277V/1/60 FLA
4	¹ / ₂	7.7	5.0	4.1
6	1	12.8	10.5	6.9

FLA = Full Load Amperage, rated per the motor nameplate

All fan motors are single phase, same voltage as electric coil (when supplied), with exception that 277 V motors are used with 480V, 3 phase coils (4 wire wye).

Accessories (Optional)

Check if provided.

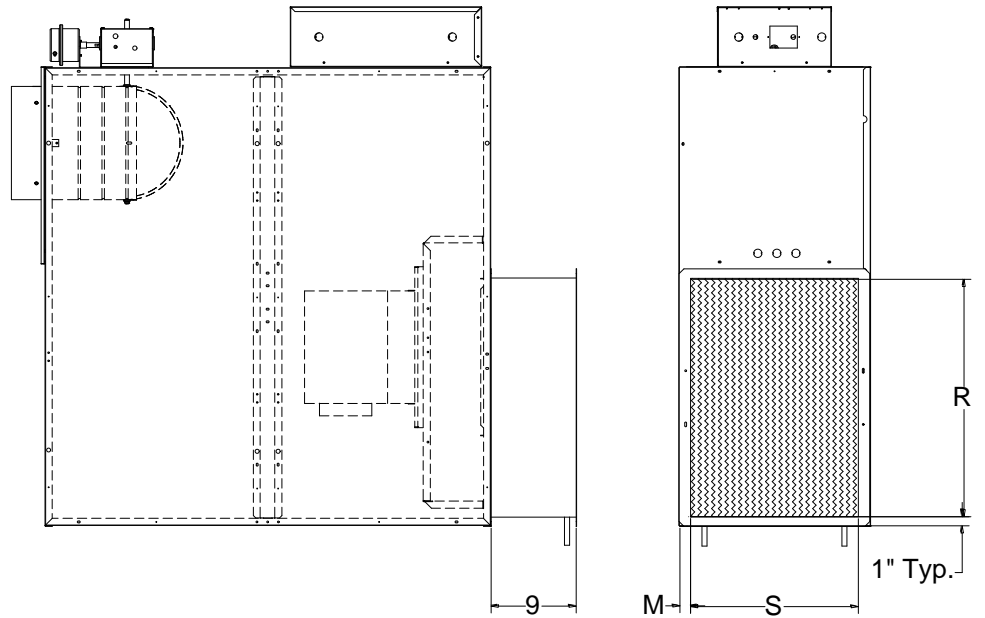
- Induced Air Filter, 1" thick, disposable construction type
- Fan disconnect switch (not available on units with optional electric coils.)
- Fibre Free Liner
- SteriLoc Liner
- ½" EcoShield Liner
- ½" EcoShield Liner (Foil Face)
- ½" Fibre Free Liner
- UltraLoc Liner
- Fan unit fusing
- 1" Fiberglass Liner
- 1" EcoShield Liner
- 1" EcoShield Liner (Foil Face)
- 1" Fibre Free Liner
- Hanger Brackets
- Cam Latch for Access Door

Accessories (Optional)

Hot Water Coil Section

- 1/2" copper tubes
- Aluminum ripple fins, 10 per inch
- Connections: Male solder, 5/8" for both 1-row and 2-row. Left hand or right hand connections.
- Galvanized steel casing
- Flanged duct connection.
- Coil is installed on discharge of unit.

- 1 Row
 2 Row



Unit Size	M (1 row)	M (2 row)	R	S
2, 3, 4	1	1 1/4	17	15
5, 6, 7	1	1 1/4	25	17 1/2

R and S are inside dimensions.

Electric Coil Section

Standard Features

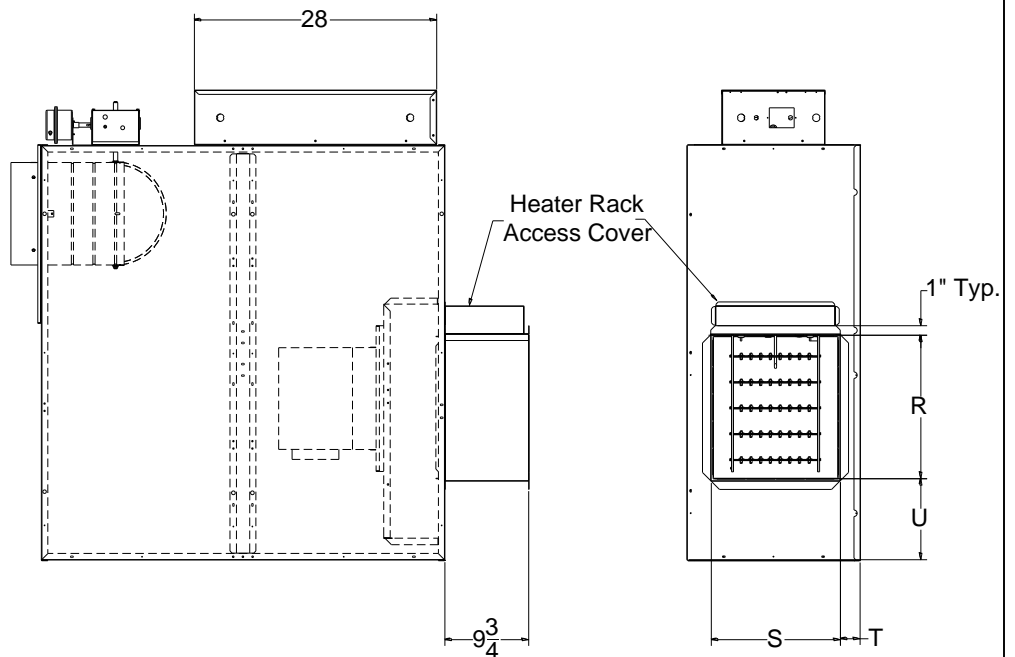
- Single side access to low voltage, high voltage, and electric heater controls.
- Automatic reset thermal cutouts, one per element
- Single point electrical connection for entire unit
- Positive pressure flow switch
- Flanged duct connection
- Coil is installed at discharge of unit.

Options

- Fuse Block
 Disconnect switch, door interlock type
 Manual reset cutout
 Dust tight construction
 Mercury contactors

Supply Voltage

- 208V, 1 ph, 60Hz
 240V, 1 ph, 60Hz
 277V, 1 ph, 60Hz
 208V, 3 ph, 60Hz
 480V, 3 ph, 60Hz (4 wire wye only)



Unit Size	U	R	S	T
2, 3, 4	3 1/2	14	11	2 1/8
5, 6, 7	9 1/2	16 1/2	14 1/2	3 1/8

R and S are inside dimensions.

Unit size 414 is not available with electric heat.

General Description

- Heavy steel casing, with leak resistant construction.
- Dual density insulation, coated to prevent air erosion, meet requirements of NFPA 90A and UL 181.
- Ultra high efficiency, brushless DC ECM motor with a unique microprocessor based motor controller mounted in vibration isolators.
- Manual PWM controller allows simple screwdriver adjustment of fan speed.
- Remote PWM controller allows for a 0-10 V signal from the DDC controller to adjust the fan speed.
- Efficiencies of up to 70% across the entire operating range.
- Provides a large turndown ratio
- Constant volume regardless of changes in downstream static pressure allows for factory setting of cfm.
- Bottom access panels can be removed for service.
- Multipoint, center averaging velocity sensor.
- Primary air flow balancing connections.
- Pressure independent primary flow control.
- Single point electrical connections.
- Rectangular discharge opening is designed for flanged duct connections.