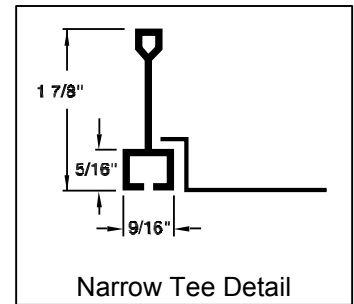
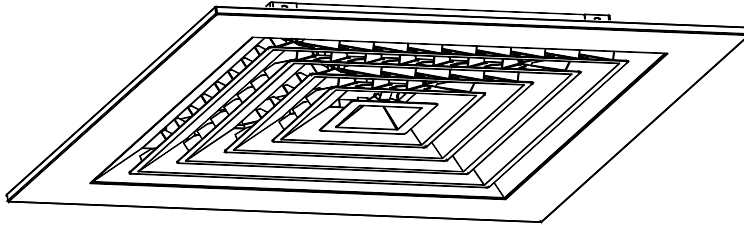
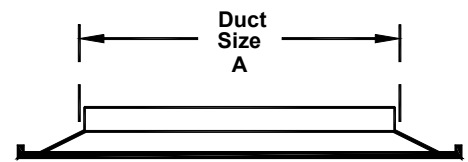
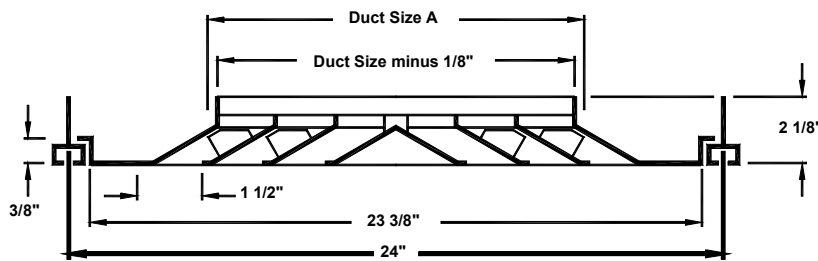


TDX-NT • Narrow Tee • Square or Round Neck

Square and Rectangular Ceiling Diffusers
Steel • Louvered Face • Induction Vanes



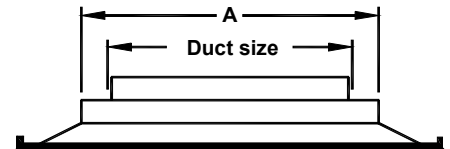
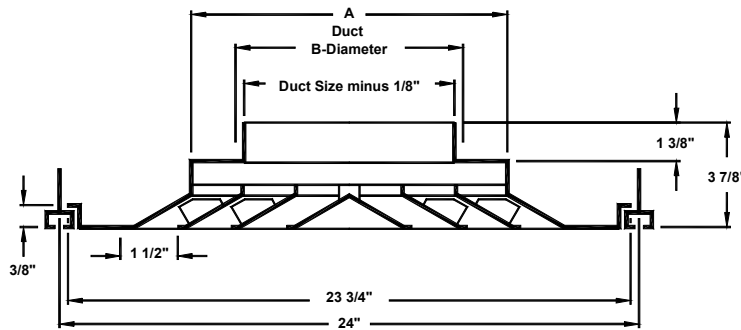
Border Type NT (Narrow Tee) Square Neck



Available Module Size	Minimum Duct Size A	Maximum Duct Size A
24 x 24	9 x 9	18 x 18

Note: Duct sizes are available in 3" increments only.

Border Type NT (Narrow Tee) Round Neck



Available Module Size	Dimension A	Available Round Duct Size
24 x 24	9 x 9	6, 8
	12 x 12	8, 10, 12
	15 x 15	10, 12, 14
	18 x 18	12, 14, 16

Dimensions are in inches.

Accessories (Optional) Check if provided.

Accessories	Nominal Square Duct Sizes
<input type="checkbox"/> AG-95 Type 1	Available in Sizes 9 x 9 through 18 x 18
<input type="checkbox"/> AG-35B	
<input type="checkbox"/> EG-L/EG-S	
<input type="checkbox"/> AG-65-L/AG-65-S	
<input type="checkbox"/> EQT	
<input type="checkbox"/> DA*	

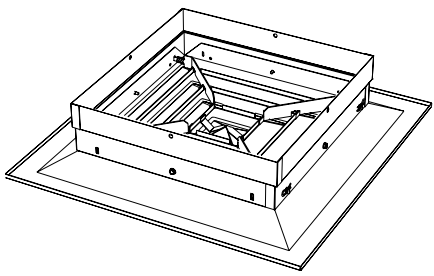
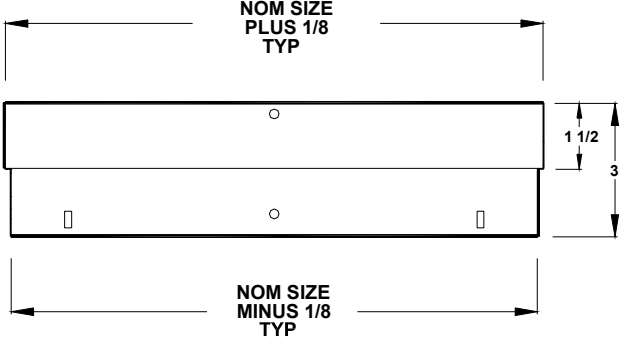
Accessories	Nominal Round Duct Sizes					
	6	8	10	12	14	16
<input type="checkbox"/> AG-100	•	•	•	•	N/A	N/A
<input type="checkbox"/> D-100	•	•	•	•	•	•
<input type="checkbox"/> AG-85	•	•	•	•	•	•
<input type="checkbox"/> AG-65	•	•	•	•	•	•
<input type="checkbox"/> EG	•	•	•	•	•	•
<input type="checkbox"/> EQT	•	•	•	•	•	•

* When using DA option, If dampers are required, use duct mounted dampers.

Accessories (Optional) Check if provided.



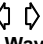
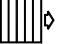






Standard Finish: #26 White

Model DA Duct Adapter (factory mounted)
(Transitions diffuser for internal duct connection)

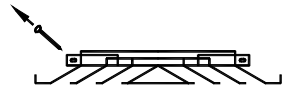



Optional Patterns

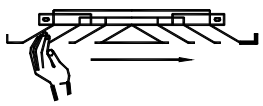
Check if provided.

 1 Way	<input type="checkbox"/> S1 
 2 Way	<input type="checkbox"/> S2 
 2 Way Corner	<input type="checkbox"/> G2 
 3 Way	<input type="checkbox"/> A3 
 4 Way	<input type="checkbox"/> A4 

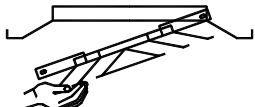
Removing Center Core



1. Remove shipping clips.



2. Push core sideways against spring.



3. Hold core securely and allow to drop down.

General Description

- TDX-NT is designed to integrate into 24 x 24" Narrow Tee regressed ceiling systems.
- The TITUS TDX-NT has louvered face with integrated induction nozzles for exceptional air mixing.
- Model TDX-NT is a high capacity ceiling diffuser. Because it maintains an unbroken horizontal flow pattern from maximum CFM down to minimum, it is an excellent choice for variable air volume application.
- Model TDX-NT is extremely flexible, with cores available for 1, 2, 3 or 4-way horizontal flow patterns.
- Core is removable from the face of the diffuser.
- Slot operator on optional, neck-mounted Model AG-95 damper allows easy volume adjustment by removing the diffuser core. (Rectangular necks only).
- Optional DA allows for internal duct connection.
- Material is heavy gauge steel.

This submittal is meant to demonstrate general dimensions of this product. The drawings are not meant to detail every aspect of the product. Drawings are not to scale. Titus reserves the right to make changes without written notice.



605 Shiloh Road • Plano, Texas 75074 • 972-212-4800

All rights reserved. No part of this work may be reproduced or transmitted in any form or by any means, electronic or mechanical, including photocopying and recording, or by any information storage retrieval system without permission in writing from Air Distribution Technologies