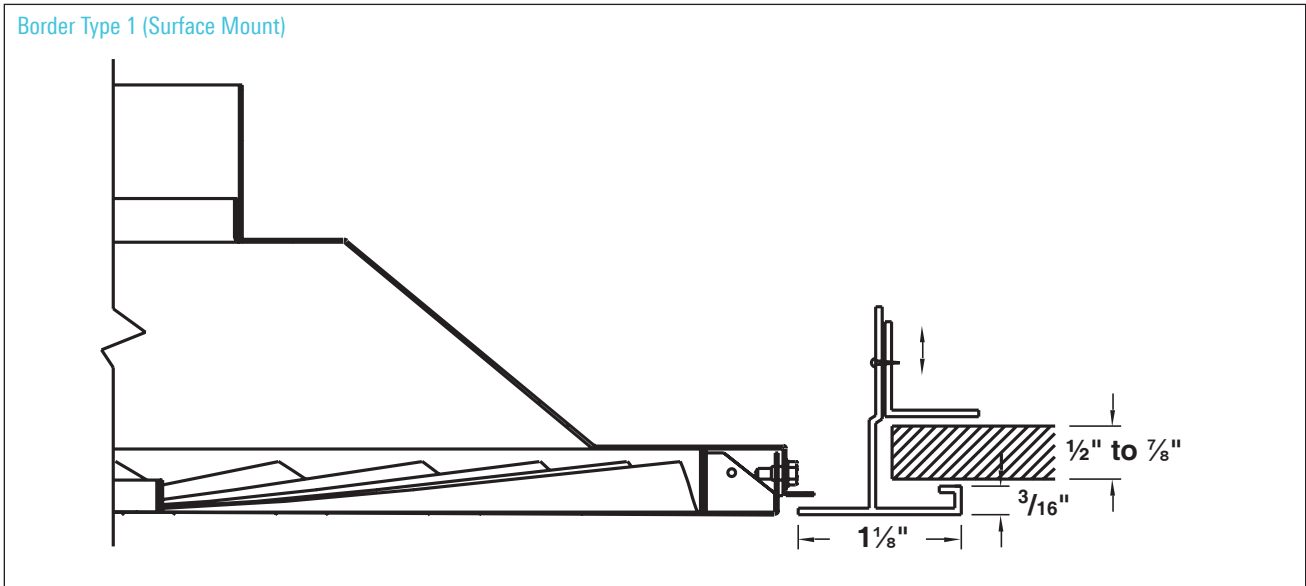
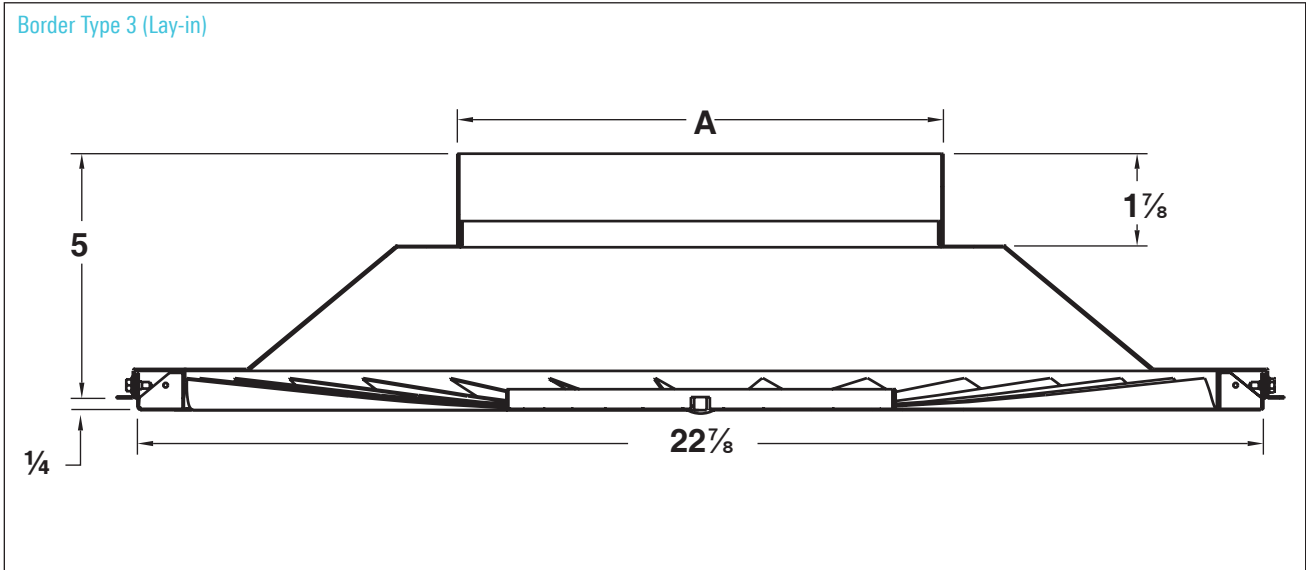


DIMENSIONS

Redefine your comfort zone.™ | www.titus-hvac.com

TSW DIMENSIONS



Note: Diffuser will be shipped with Border 3. A TRM frame will be provided for surface mounting.

Available Sizes for Borders 1, 3				
Module Size	Nominal Duct Size D			
	6" Dia.	8" Dia.	10" Dia.	12" Dia.
24 x 24	•	•	•	•

• Indicates available combination

Nominal Inlet	A
6"	5 7/8
8"	7 7/8
10"	9 7/8
12"	11 1/2

F

DIMENSIONS