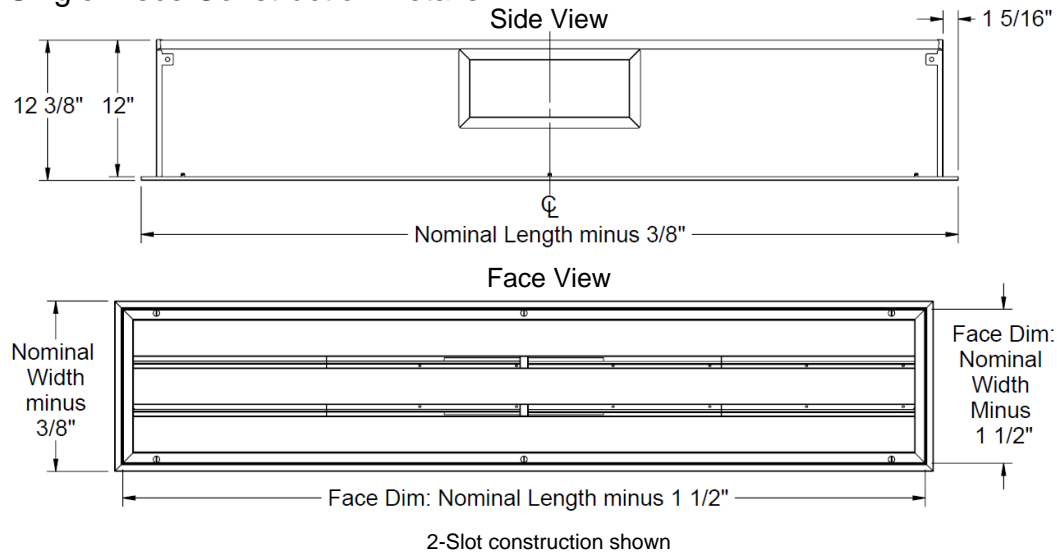


LineaTec-AL
LineaTec-SS

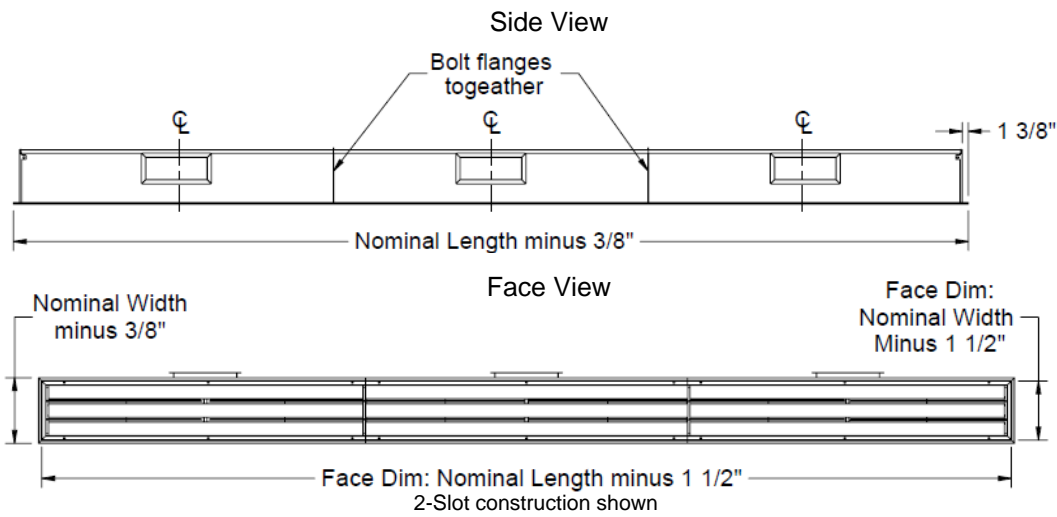
- Aluminum
- Stainless Steel

Critical Environment Diffusion Products
Sterile Environment System Technology

Single Piece Construction Details



Multi Piece Construction Details



Construction Material

Check material type provided

- Aluminum
- 304 Stainless Steel

Finish

Check finish type provided

- #01 Aluminum
- #04 Mill Finish
- #26 White

System Size:

Nominal length

Minimum length increment is 1/4".

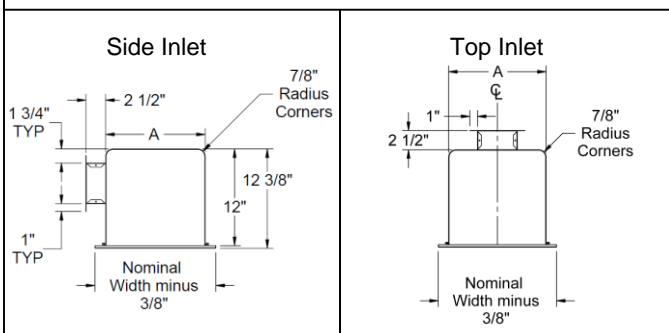
Check configuration provided

Nominal Width (in)	A (in)
<input type="checkbox"/> 10	6
<input type="checkbox"/> 12	9
<input type="checkbox"/> 15	12

Notes:

- 1) Maximum nominal length for a single section is 72 inches
- 2) Inlets centered on section unless specified
- 3) Minimum nominal length is 18 inches
- 4) Units with nominal lengths exceeding 72 inches will be have multiple equal length sections

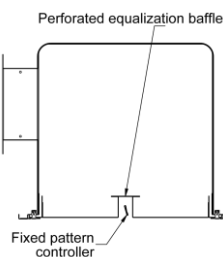
Inlet Details



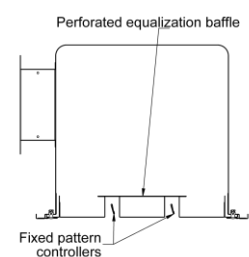
Slot Configuration

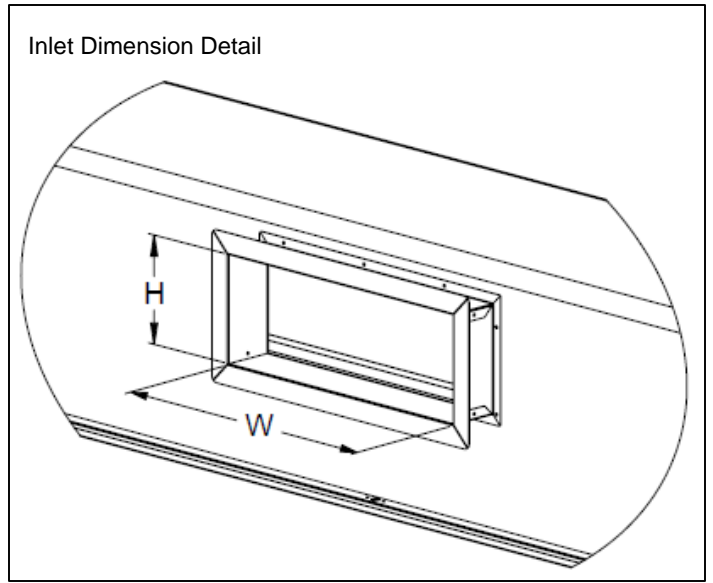
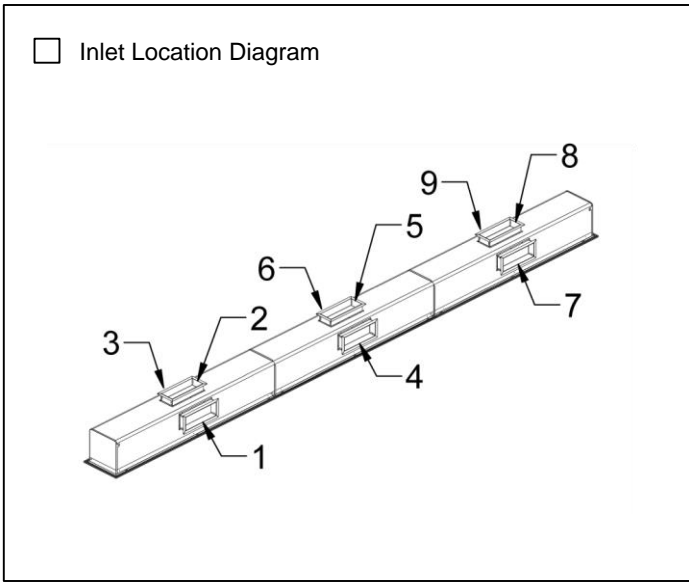
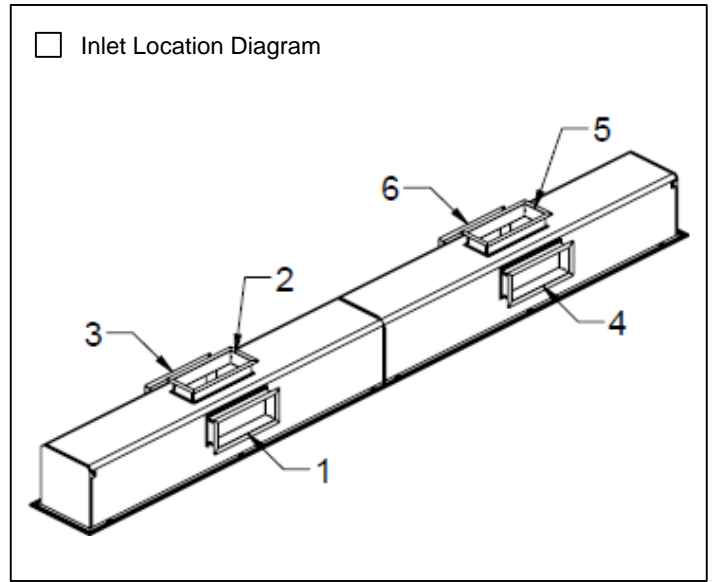
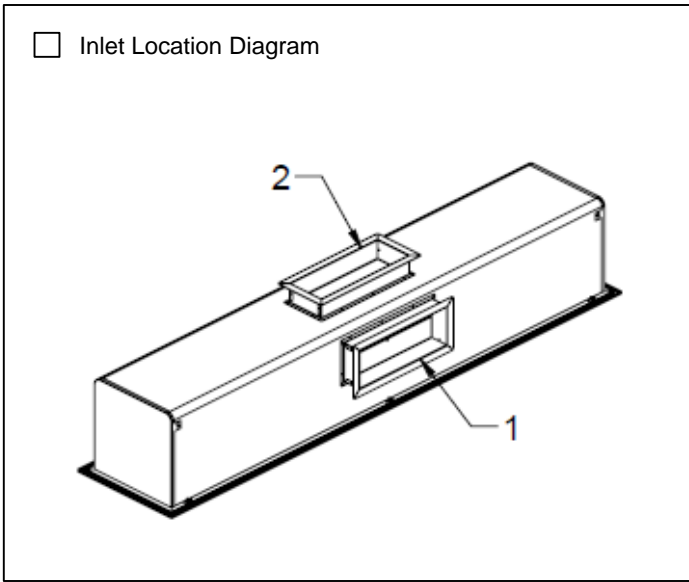
Check configuration provided

1-Slot



2-Slot





Inlet Configuration

Check if provided.

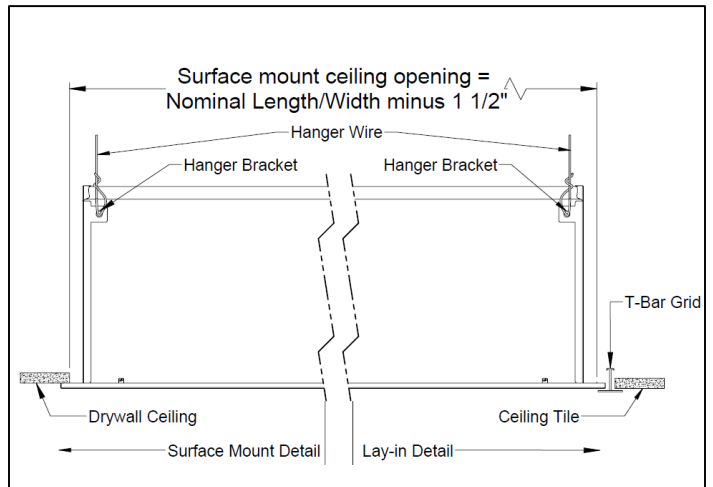
Inlet Height 'H':
 4 inches
 5 inches
 6 inches
 8 inches
 X: _____

Inlet Width 'W':

Inlet Locations:
 1 2 3 4
 5 6 7 8
 9 10 11 12
 13 14 15 16

Note: Maximum inlet width is 48 inches; for sections less than 48 inches, maximum inlet width is section length minus 4 inches.

Installation Detail



This submittal is meant to demonstrate general dimensions of this product. The drawings are not meant to detail every aspect of the product. Drawings are not to scale.

Titus reserves the right to make changes without written notice.

All rights reserved. No part of this work may be reproduced or transmitted in any form or by any means, electronic or mechanical, including photocopying and recording, or by any information storage retrieval system without permission in writing from Air Distribution Technologies.