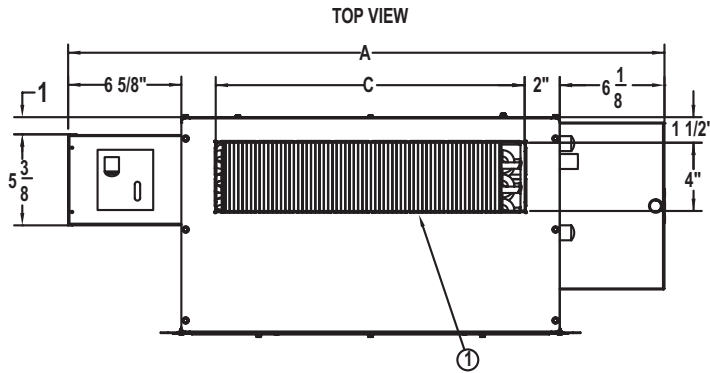


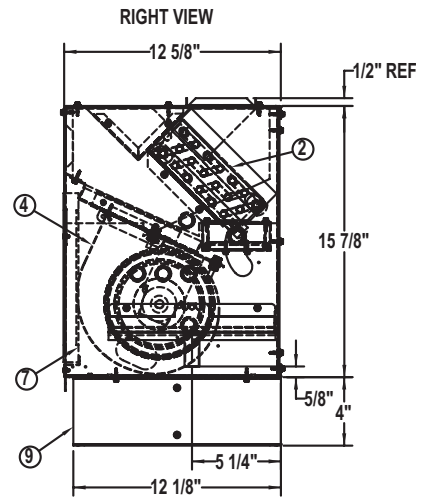
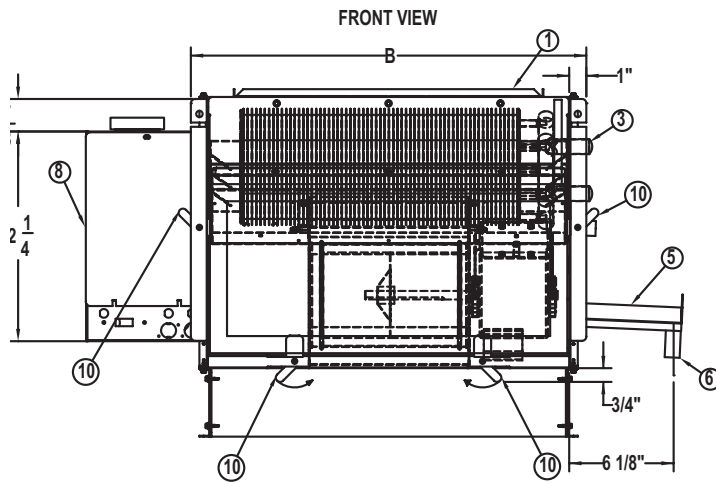
VBLC DIMENSIONS

Redefine your comfort zone.™ | www.titus-hvac.com



RIGHT HAND UNIT SHOWN

1. Supply Duct Collar
2. Coil
3. Coil Connections (2-Pipe Shown)
4. Motor/Blower(s) Assembly
5. Auxillary Condensate Tray
6. Condensate Connection 7/8" O.D.
7. Filter
8. Control Box
9. Sub-base (optional)
10. Filter Clips



Model	Dimensions (inches)					Approx. Weight (pounds)
	A	B	C	Filter	Opt. Cover	
VBLC02	34 7/8"	23 1/9"	18"	21 x 10 x 1"	37 1/8" x 15 5/7" x 1/2"	90
VBLC03	38 7/8"	27 1/9"	22"	25 x 10 x 1"	41 1/8" x 15 5/7" x 1/2"	95
VBLC04	49 7/8"	38 1/9"	33"	36 x 10 x 1"	52 1/8" x 15 5/7" x 1/2"	100
VBLC06	57 7/8"	46 1/9"	44"	44 x 10 x 1"	60 1/8" x 15 5/7" x 1/2"	120