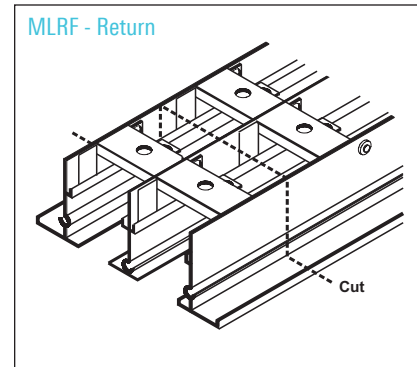
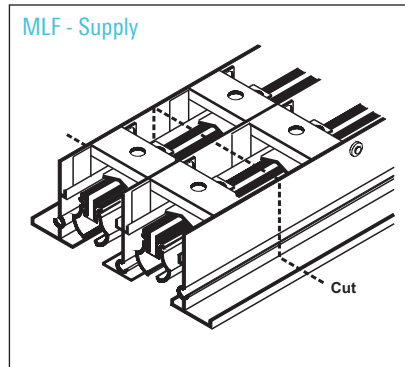


FIELD CUT DIFFUSERS

Available Supply Models:
MLF-37 / 1/2" Slot
MLF-38 / 3/4" Slot
MLF-39 / 1" Slot

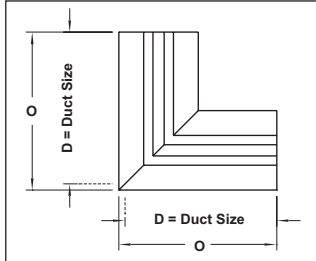
Available Return Models:
MLRF-37 / 1/2" Slot
MLRF-38 / 3/4" Slot
MLRF-39 / 1" Slot



- Ideal when the exact length of an ML or MLR diffuser is not known until it is being installed
- Standard factory cut diffusers can be trimmed up to 6 inches. If more than 6 inches are to be removed, use the optional field cut diffuser.
- The field cut ML or MLR diffuser is 72 inches long, with the sides pre-punched to assure the proper alignment of field installed spacers. These field installed spacers provide additional rigidity during and after cutting.

MITERED CORNERS

Available Models:
MC-37 / 1/2" Slot
MC-38 / 3/4" Slot
MC-39 / 1" Slot



DIMENSIONS FOR 90° MITERED CORNERS

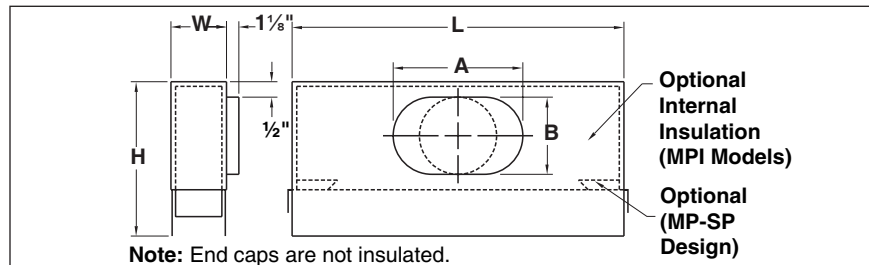
No. of Slots	1A, 1B		2A, 4, 7A		2B, 7B		3, 6, 11		9A		9B		12, 15		22	
	O	D	O	D	O	D	O	D	O	D	O	D	O	D	O	D
1, 2	12 ⁷ / ₁₆	12	12 ³ / ₈	12	12 ¹ / ₈	12	11 ⁷ / ₈	12	12 ⁵ / ₁₆	12	12 ¹¹ / ₁₆	12	12	12	13 ³ / ₁₆	12
3-8	24 ⁷ / ₁₆	24	24 ³ / ₈	24	24 ¹ / ₈	24	23 ⁷ / ₈	24	24 ⁵ / ₁₆	24	24 ¹¹ / ₁₆	24	24	24	25 ³ / ₁₆	24

Note: Dimensions shown will vary for other angles

PLENUMS

Available Uninsulated Models:
MP-37 / 1/2" Slot
MP-38 / 3/4" Slot
MP-39 / 1" Slot

MP-37-SP / 1/2" Slot
MP-38-SP / 3/4" Slot
MP-39-SP / 1" Slot



Available Insulated Models:

MPI-37 / 1/2" Slot
MPI-38 / 3/4" Slot
MPI-39 / 1" Slot

MPI-37-SP / 1/2" Slot
MPI-38-SP / 3/4" Slot
MPI-39-SP / 1" Slot

BLANK-OFFS

BLKS / Cold Rolled Steel
/ Fits over Neck
/ Black Finish
BLKV / Vinyl
/ Fits in Slot
/ Black Finish

