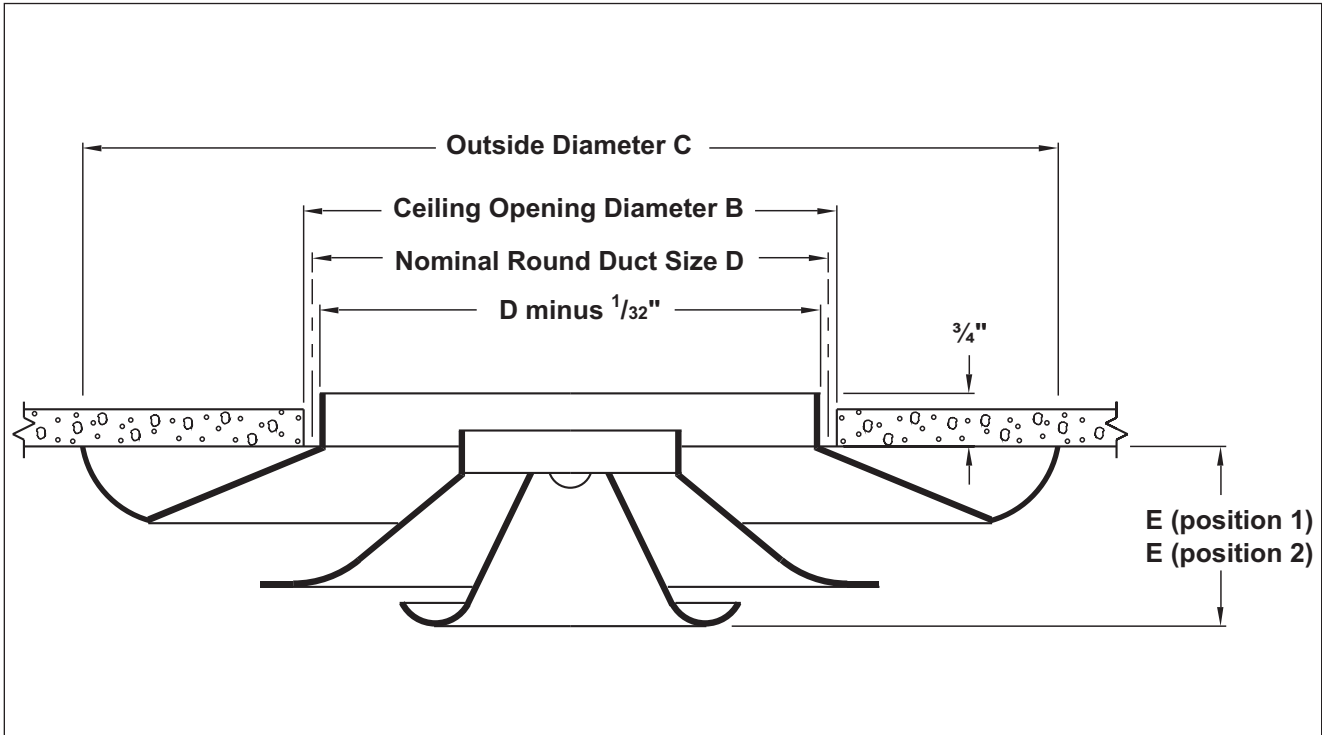


DIMENSIONS

TMR / TMR-AA UNIT DIMENSIONS



Note: Position 1 is with cones down. Position 2 is with cones up.

Nominal Round Duct Size D	B	C	E (Pos. 1)	E (Pos. 2)
6	6½	11⅛	1¾	1⅛
8	8½	14¾	2⅛	1½
10	10½	18¼	2⅞	2⅛
12	12½	22	3⅛	2⅜
14	14½	26	3⅜	2⅝
16	16½	29	4	3¼
18	18½	32½	4¾	3⅞
20 (Note)	20½	36	5⅞	4⅞
24 (Note)	24½	43¼	7¾	6⅝
30 (Note)	30½	53¾	8⅞	6⅝
36 (Note)	36½	64½	10⅞	8⅝

Note: Sizes 20 through 36 are available in steel only