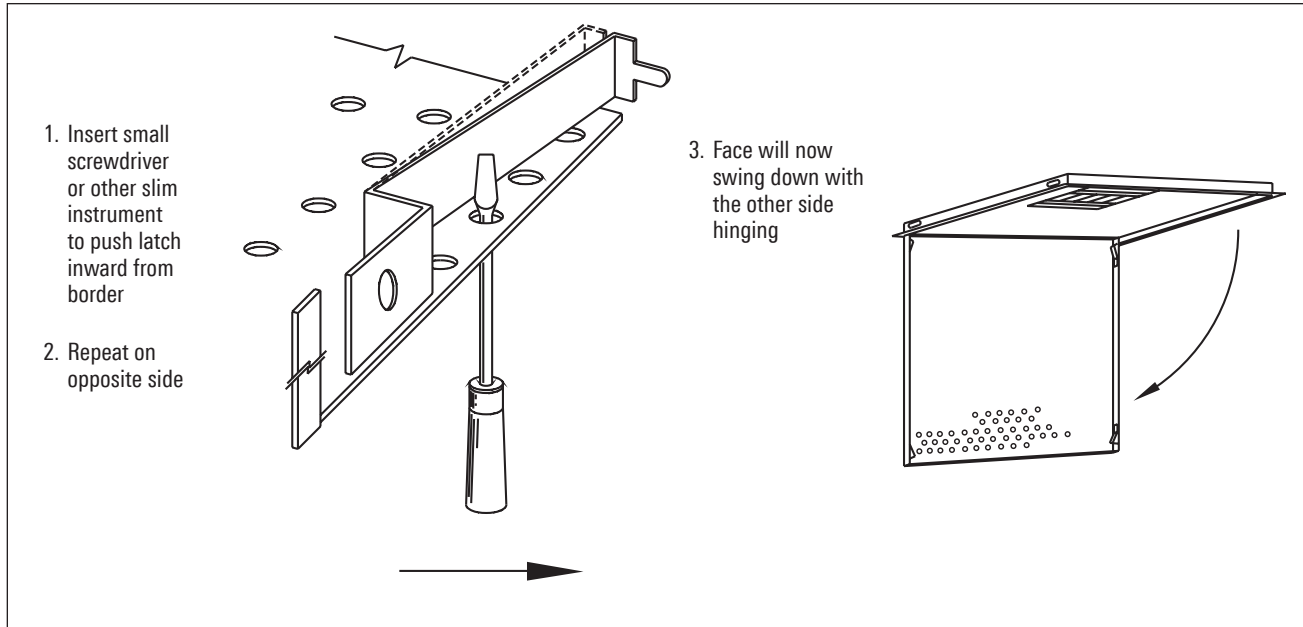


INSTALLATIONS

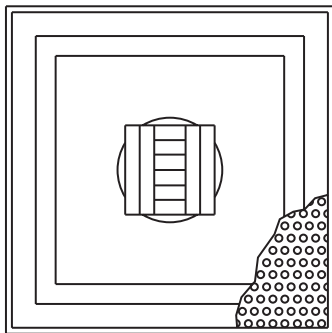
Redefine your comfort zone.™ | www.titus-hvac.com

REMOVING PERFORATED FACE

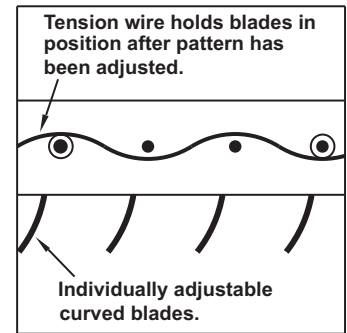
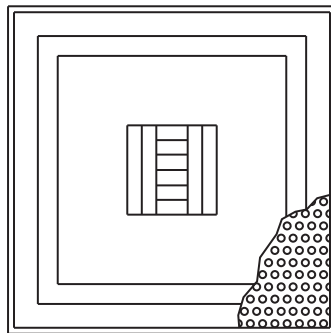


ADJUSTING PATTERN CONTROLLERS

Round Neck - 4-Way

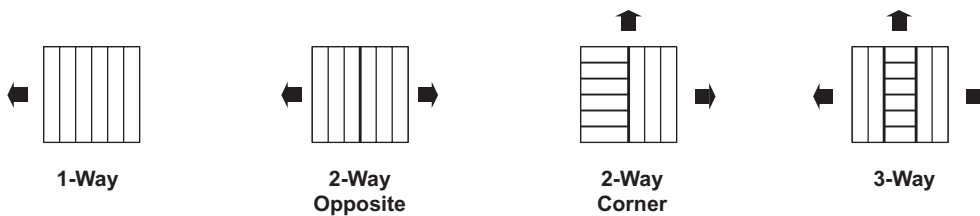


Square Neck - 4-Way



The pattern deflector in the neck of the diffuser consists of individually adjustable blades. These blades vary the discharge pattern from full horizontal to vertical and also damper the air volume.

The standard model PCS diffuser has a 4-way discharge pattern. Also available are the patterns below.



INSTALLATIONS