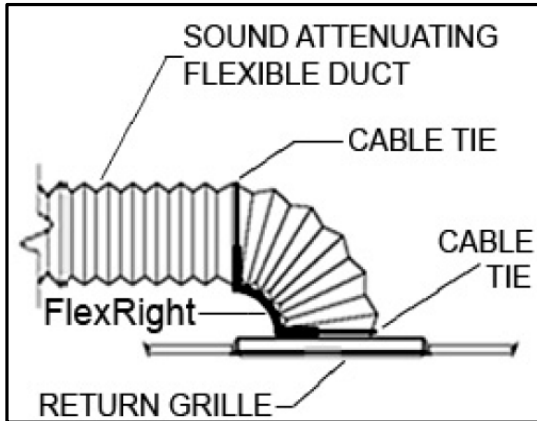


FlexaBoot • Acoustical Return Boot • 10" & 16" Diameters



- FlexaBoot
PARTS LIST:**
- (1) One FlexRight
 - (2) Two Nylon Cable Ties
 - (3) One Acoustical Flex Duct Assembly
 - (4) One Flex Duct Support Webbing

FlexaBoot Sizes:

- 10" Diameter (flexible duct length is 60")
- 16" Diameter (flexible duct length is 72")

Temperature Range: 0° to 200° F

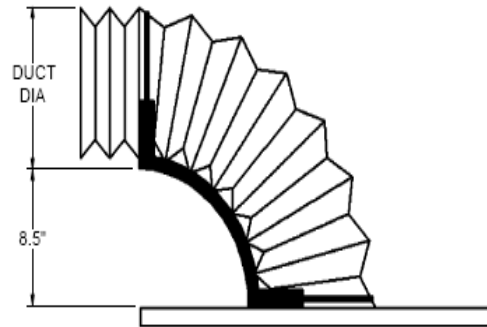
Rated Velocity: 5000 FPM

Maximum Rated Pressure (Negative)

1.0" (for 10" diameter size)

1.2" (for 16" diameter size)

Note: pressure is in inches of WG



General Description

- FlexaBoot is an acoustical return sound boot
- Available in two flex duct diameters: 10" & 16"
- Designed for ceiling plenum return air applications
- Square to round adapters by others
- Eliminates sound transfer in open plenum ceilings
- Acoustically tested assembly consists of flex duct, FlexRight elbow, assembly ties & mounting straps