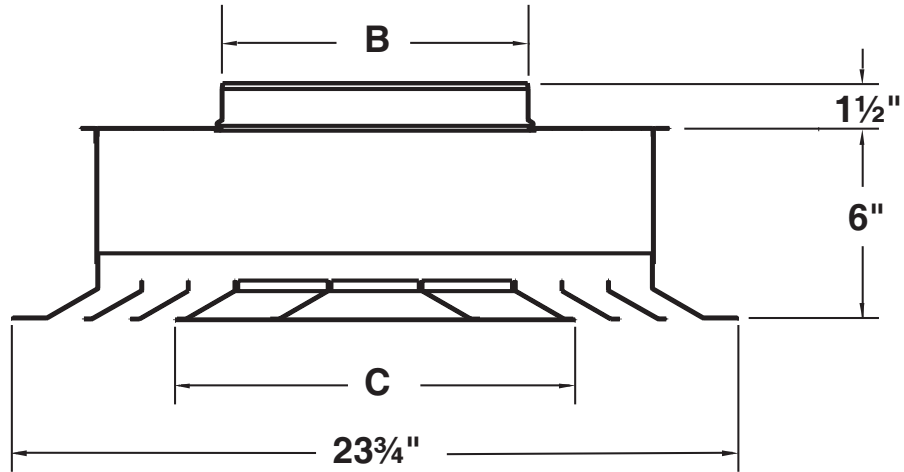


DIMENSIONS

DAT UNIT DIMENSIONS

Border Type 3 (Lay-in)



Ceiling Module	Number of Slots	Nominal Round Duct Size B	Plaque Face C
24 x 24	1	6, 8, 10	19
	2	6, 8, 10, 12	16
	3	8, 10, 12, 14	13