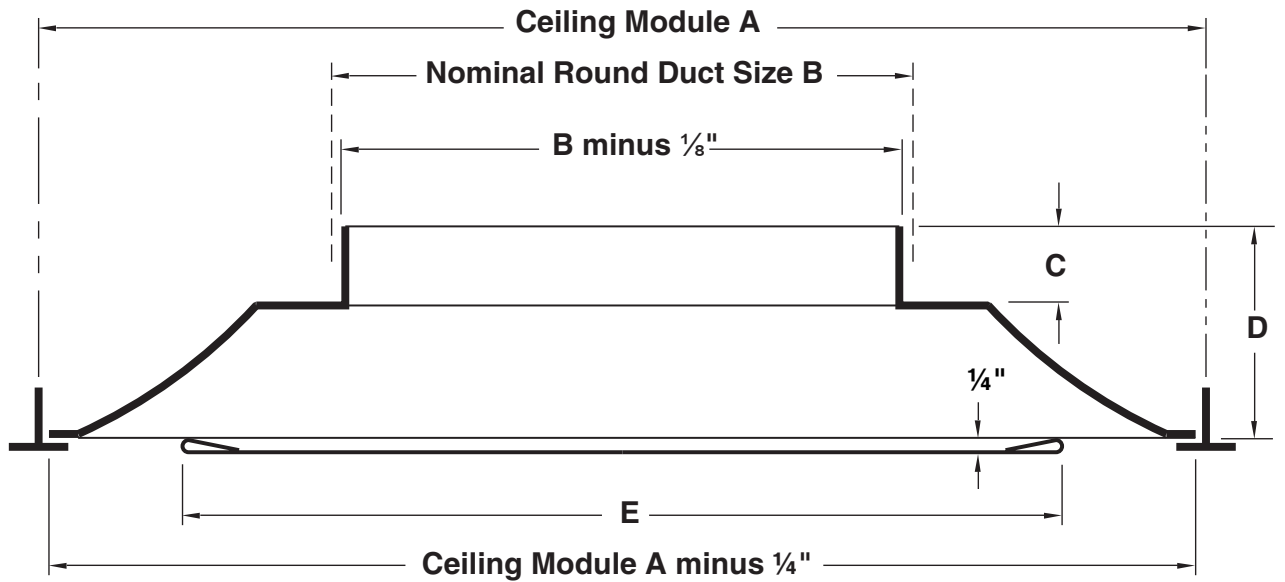


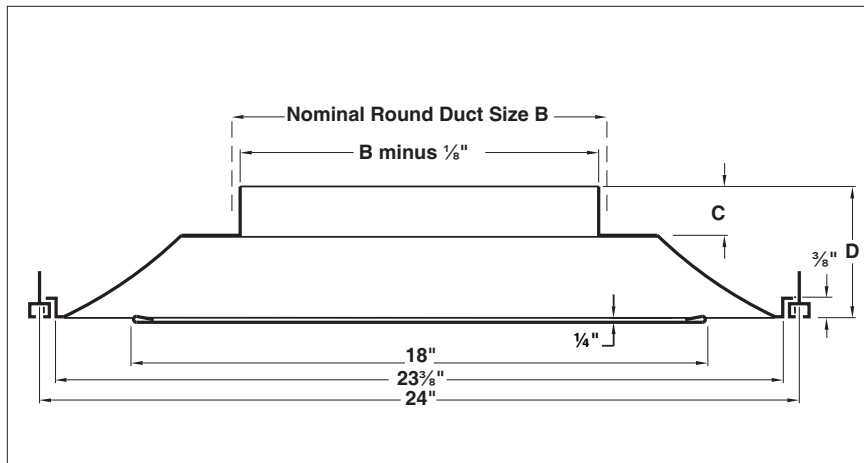
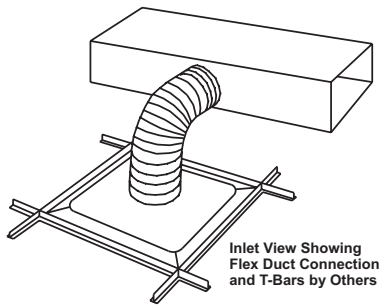
DIMENSIONS

OMNI / OMNI-AA DIMENSIONS

Frame Type 3
(Lay-In) Full Face



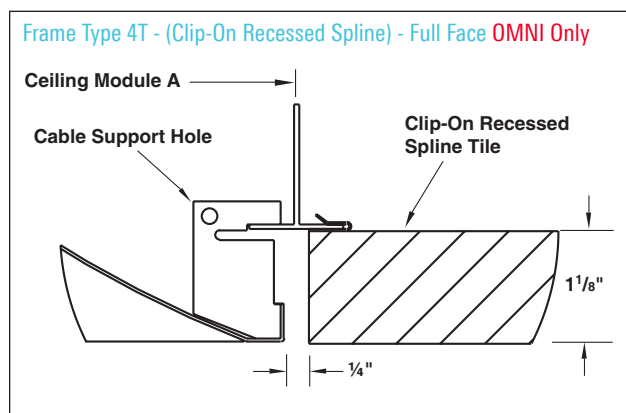
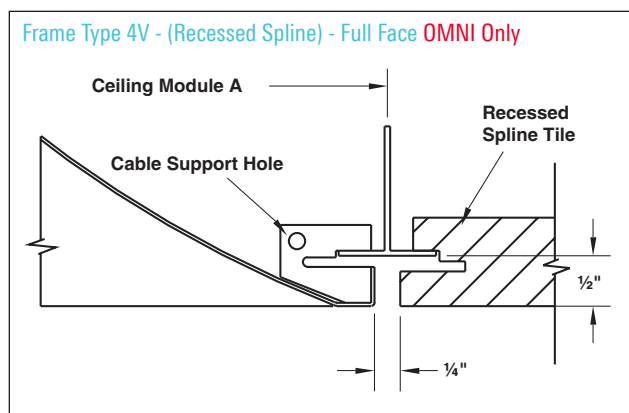
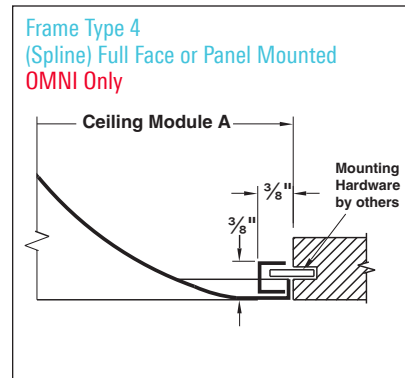
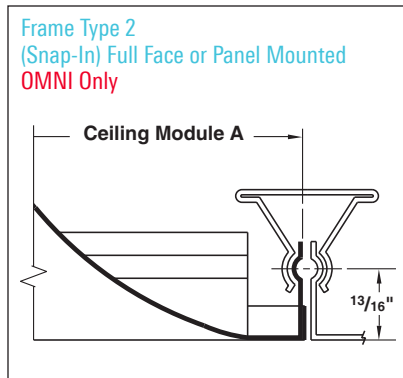
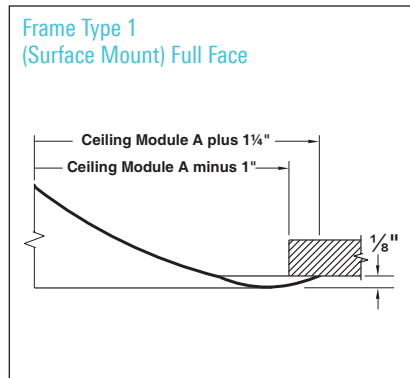
Inlet View



Ceiling Module A	Nominal Round Duct Size B	C	D	E
12 x 12 (note 2)	4, 5 (note 1)	2 7/8	4	9
	6, 7	1 1/8	2 1/4	
	8	1 1/4	2 3/8	
20 x 20	4, 5 (note 1)	2 3/4	5 1/4	13 5/8
	6, 8, 10	3/4	3 1/4	
24 x 24	6, 8	1 1/4	3 3/4	18
	10, 12, 14, 15	1 3/8	3 7/8	

Note 1: Adapter is provided for sizes 4 and 5

ADDITIONAL FRAME TYPES



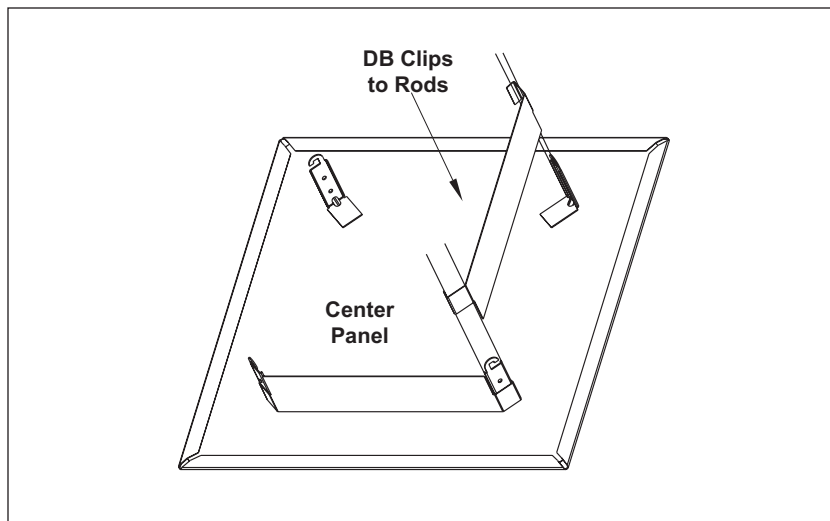
Note: If Border 4V is adjacent to a light fixture a gap will be visible above the backpan. A T-bar extender is available to fill this void, available from the ceiling manufacturer.

Borders 4V and 4T have four mounting clips. Two clips on opposed sides with holes to attach mounting wire from above.

OPTIONAL DIRECTIONAL BLOW CLIPS

Available Model:
DB

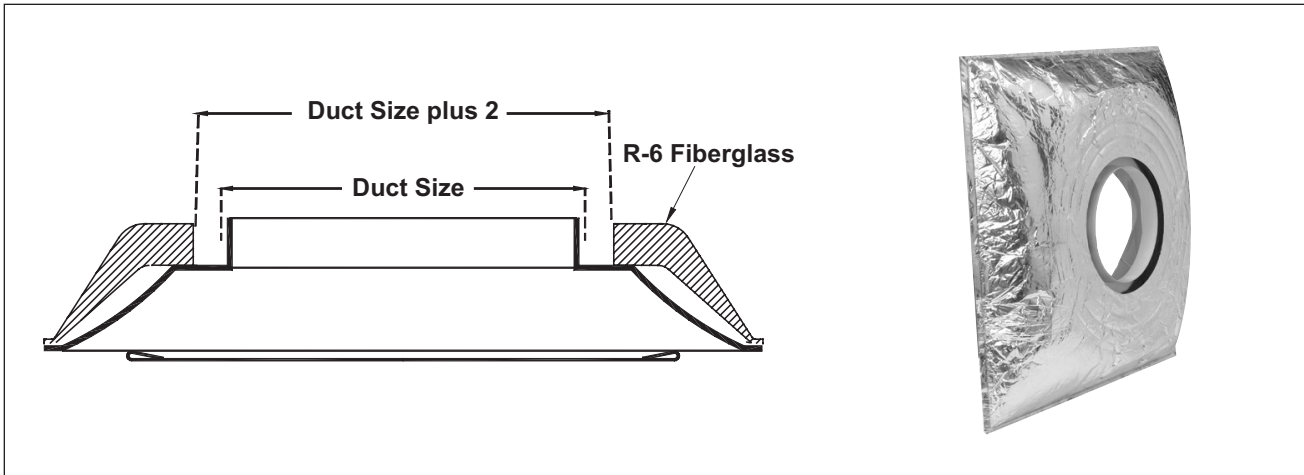
- Converts OMNI diffuser from standard 4-way blow to 1-, 2- or 3-way
- Clips attach to hanger brackets on upper face of center panel



DIMENSIONS

Redefine your comfort zone.™ | www.titus-hvac.com

OPTIONAL MOLDED INSULATION BLANKET



Insulation is R-6 where blanket has the most depth. One inch clearance on each side of neck is left for insulated duct connection. 24 x 24" full face models only.

REMOVING AND REPLACING FACE PANEL - ADJUSTING OPTIONAL DAMPER

Installing Face Panel

1. Insert the hook brackets into the slots in the backpan
2. Rotate the face panel clockwise until...
3. The hooks positively engage in the secondary slots in the backpan

Removing Face Panel

1. Lift the faceplate towards the backpan to disengage the hook brackets from the backpan slots
2. Rotate the faceplate counterclockwise
3. Lower the faceplate away from the backpan

Adjusting Optional Damper

1. Remove face panel as above
2. Use flat blade screwdriver to turn operator shaft at center of damper
3. Replace face panel

F

DIMENSIONS