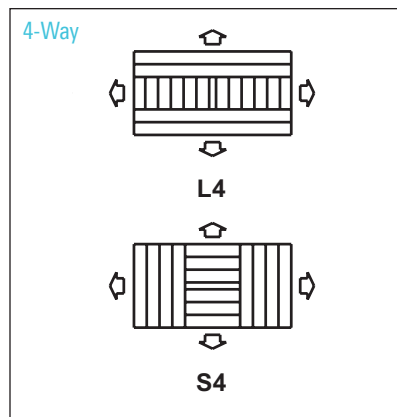
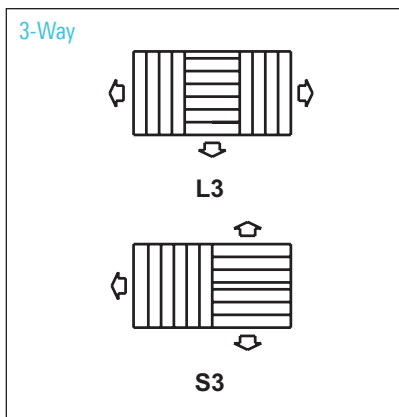
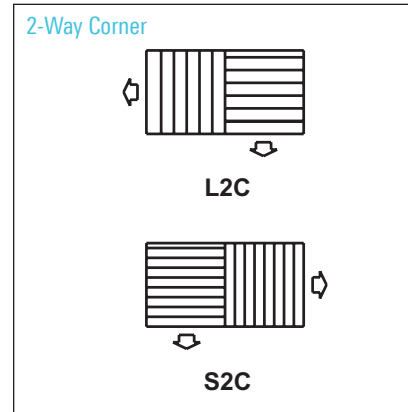
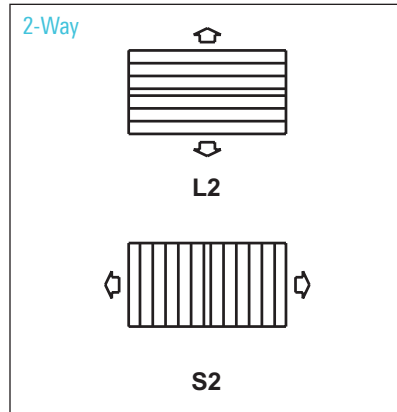
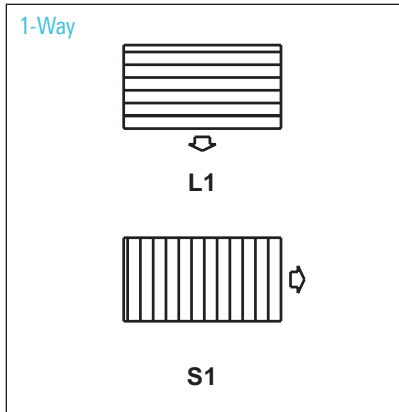


Optional Discharge Patterns



Note: For square diffusers (height = width), specify L1, L2, L2C, L3, L4, S1, S2, S2C, S3 or S4

Patterns are shown looking at the diffuser face

- Models 250 and 250-AA diffusers can be ordered in any of the discharge patterns shown in the diagrams at the right
- Because the louvers are individually adjustable, each direction of discharge can have its own volume and angle of discharge, all from one diffuser
- The preceding performance tables show values for the various discharge patterns