

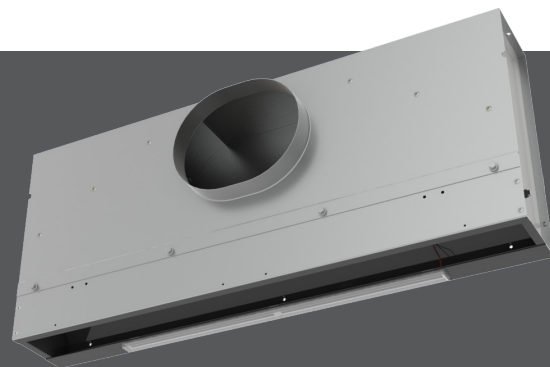


## Auto-Changeover Diffusers

## plenum slot diffusers

### EOS

- The EOS is an auto-changeover diffuser with a bi-directional air pattern for cooling and heating applications
- Available in two styles: Standard (ST) & Drone (DR). The standard unit can function as a stand-alone unit or a master unit in a master-drone setup. The Drone comes with 12' attached cable for connection to the master.
- The EOS (ST) & (DR) features energy-harvesting technology from solar and ambient room light to power an internal actuator. Internal temperature sensors monitor supply air temperature and automatically adjusts the air pattern for horizontal airflow (cooling) or vertical airflow (heating).
- Operates on a narrow temperature band (71°F to 78°F). Each temperature setpoint is adjustable in one increment of 2 degrees up or down for maximum flexibility.
- Smart logic programming on internal P.C. board checks supply air temperature in 10 minute intervals to ensure proper airflow direction is maintained for cooling and heating applications



### EOS

- Standard configuration includes 10" plenum height, 2" slot width and Earthquake tabs (2 per unit)



light powered



smart logic



dual-function



energy solutions



See website for Specifications

### AVAILABLE MODELS:

EOS / Supply  
EOSI / Supply / Insulated

### FINISH

Standard Finish - Black pattern controllers and exposed surfaces. White on optional T-bars.

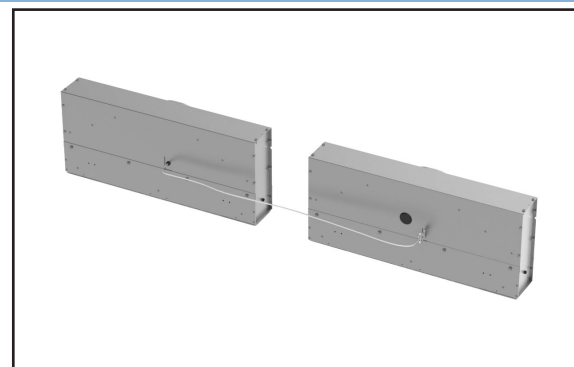
### OVERVIEW

Solar / Ambient Light Powered

The Titus EOS linear diffuser, is the world's only ambient light-powered, auto-adjusting linear diffuser. The EOS is designed with a smart-logic mechanism that quickly adjusts the angle of air diffusion in response to the narrowest temperature band between heating and cooling – as small as 3° - reducing the time and energy for optimal thermal comfort. Ultimately, the combination of wireless installation, light power, and quick air changeover results in significant energy savings. This product saves energy and can contribute toward LEED certification.

### ADVANTAGES

- Each setpoint is adjustable in one increment of 2 degrees up or down for maximum flexibility
- Solar cell mounted on face collects light energy and stores on internal capacitor
- Choice of three arrangements of optional factory installed T-bars
- Optional plaster frame for surface mount applications
- Optional external insulation (foil encapsulated)
- Material is steel with miscellaneous aluminum parts



Above: Back view of EOS Master-Drone (DR) configuration setup showing cable & dip switch

Below: EOS Master-Drone (DR) configuration installed in an office environment along the perimeter



The Titus AR mobile app is available for download on most Android devices and iOS