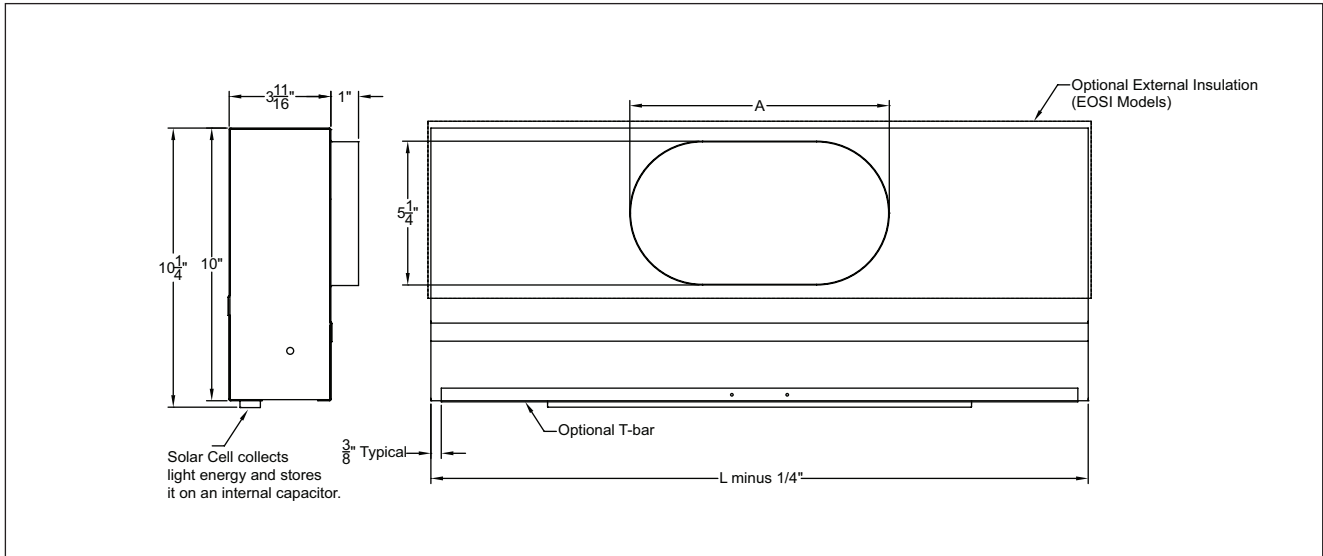


DIMENSIONS

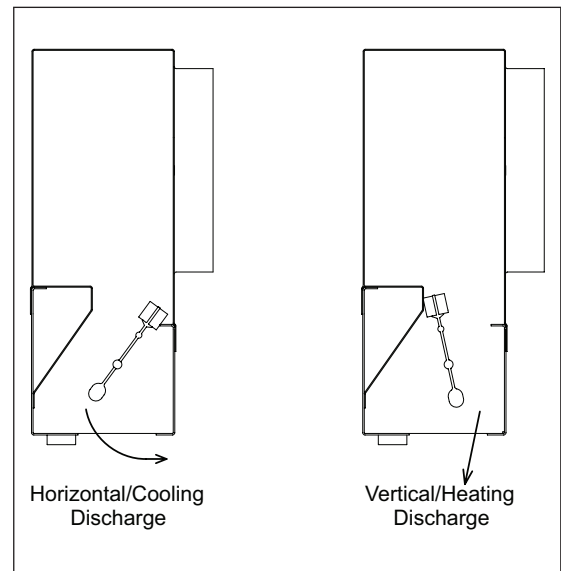
plenum slot diffusers

EOS DIMENSIONS

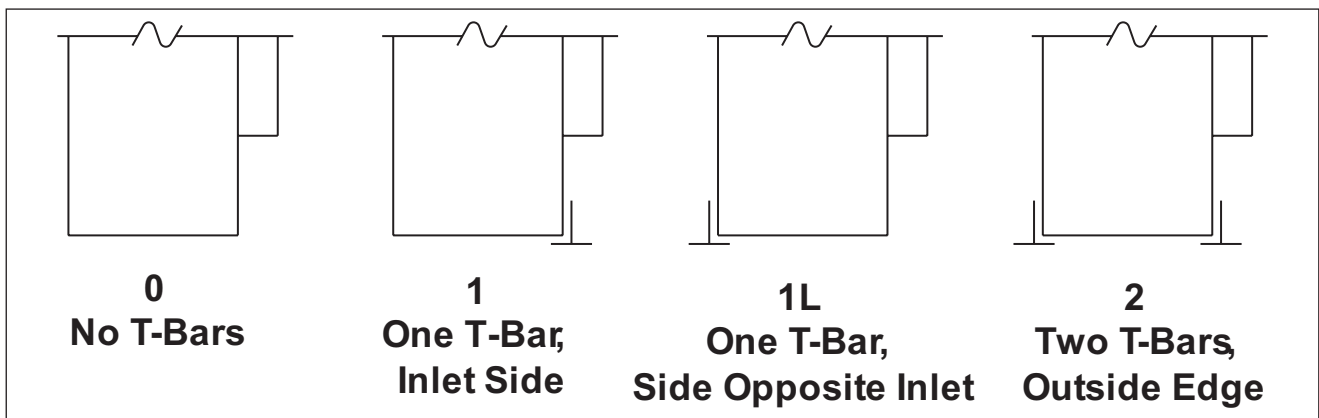


Nominal Length (L)	Available Inlets (Oval)
24" Length	6, 8
48" Length	10, 12

Standard Inlet Size	A	B
6" Oval	$6\frac{1}{4}$	$5\frac{1}{4}$
8" Oval	$9\frac{3}{8}$	$5\frac{1}{4}$
10" Oval	$12\frac{1}{2}$	$5\frac{1}{4}$
12" oval	$15\frac{9}{16}$	$5\frac{1}{4}$



Note: Factory supplied outside T-bars are 1" wide



All dimensions are in inches