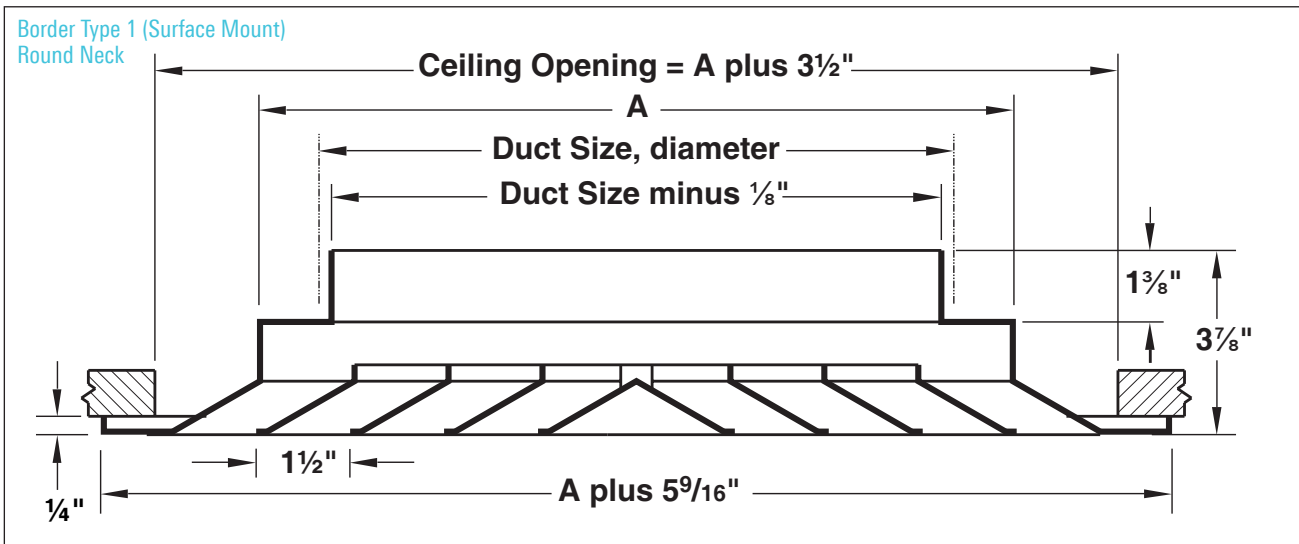
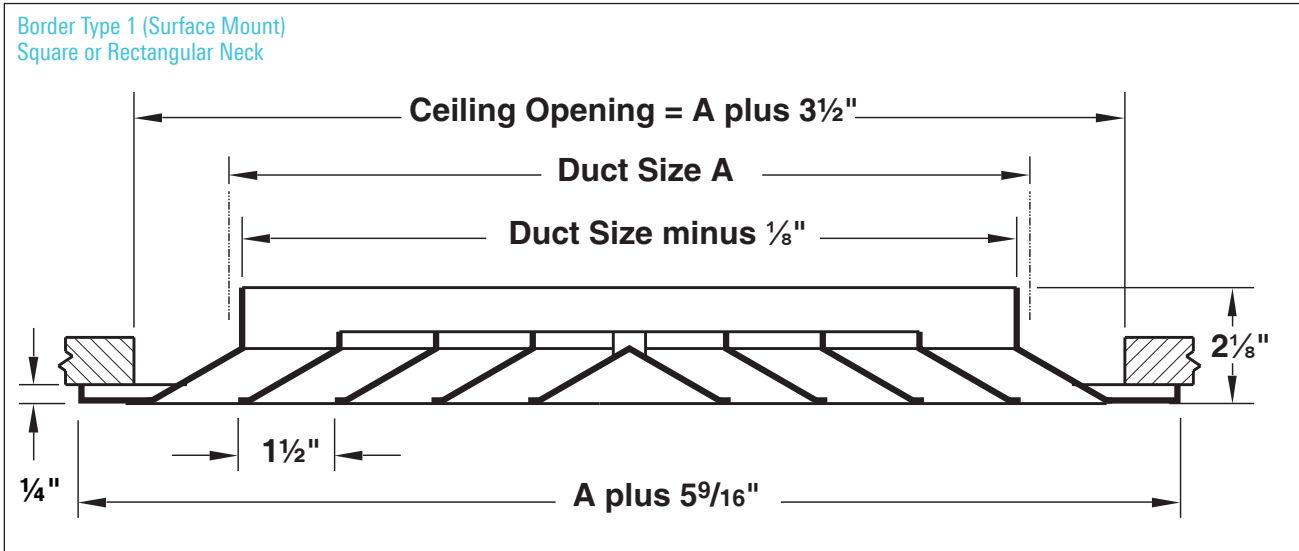
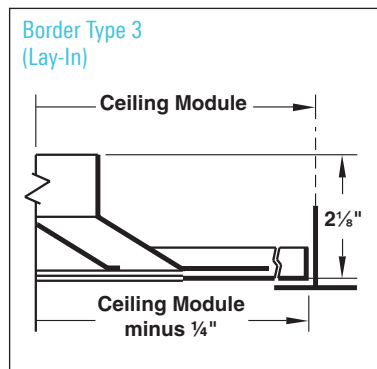
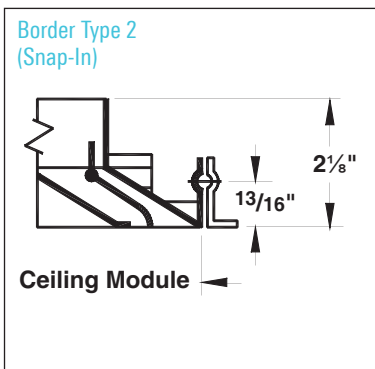


TDC / TDCA UNIT DIMENSIONS



BORDER TYES

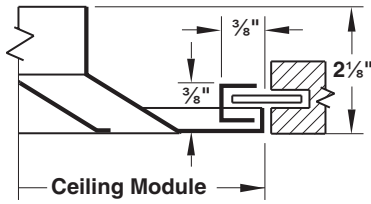


DIMENSIONS

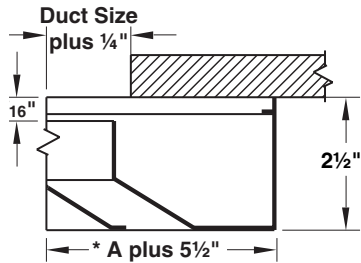
Redefine your comfort zone.™ | www.titus-hvac.com

BORDER TYPES (continued)

Border Type 4 (Spline)

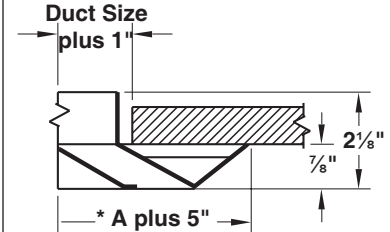


Border Type 5 (Dropped Face)

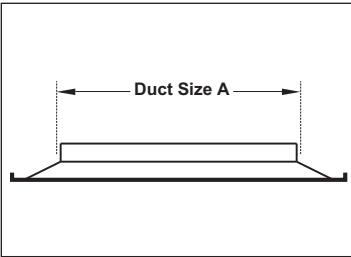


Available in Steel Only  
Note: Std. diffuser is 2 1/2" deep  
Optional 4" deep diffuser is available

Border Type 6 (Beveled Drop Face)



AVAILABLE DUCT SIZES - SQUARE AND RECTANGULAR NECKS



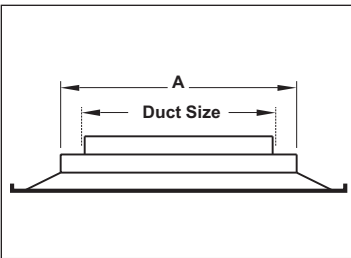
| Border Types 1, 5, 6 |                     |
|----------------------|---------------------|
| Minimum Duct Size A  | Maximum Duct Size A |
| 6 x 6                | 48 x 48             |

| Border Types 2, 3*, 4 |                  |                              |                                 |                                     |  |
|-----------------------|------------------|------------------------------|---------------------------------|-------------------------------------|--|
| Available Module Size | Min. Duct Size A | Max. Duct Size A TDC (Steel) | Max. Duct Size A TDC-AA (Alum.) | Max. Duct Size A TDCA (Steel, Adj.) | Max. Duct Size A TDCA-AA (Alum., Adj.) |
| 12 x 12               | 6 x 6            | 9 x 9*                       | 9 x 9*                          | 6 x 6                               | 6 x 6                                  |
| 24 x 24               | 6 x 6            | 21 x 21*                     | 21 x 21*                        | 18 x 18                             | 18 x 18                                |
| 48 x 24               | 12 x 12          | 45 x 21*                     | 42 x 21*                        | 18 x 18                             | 18 x 18                                |

Note: Duct sizes are available in 3" increments only. Maximum duct size for border 5 is 36" x 36".

\* Frame 3 maximum duct size available in 4-way blow only

AVAILABLE DUCT SIZES - ROUND NECKS

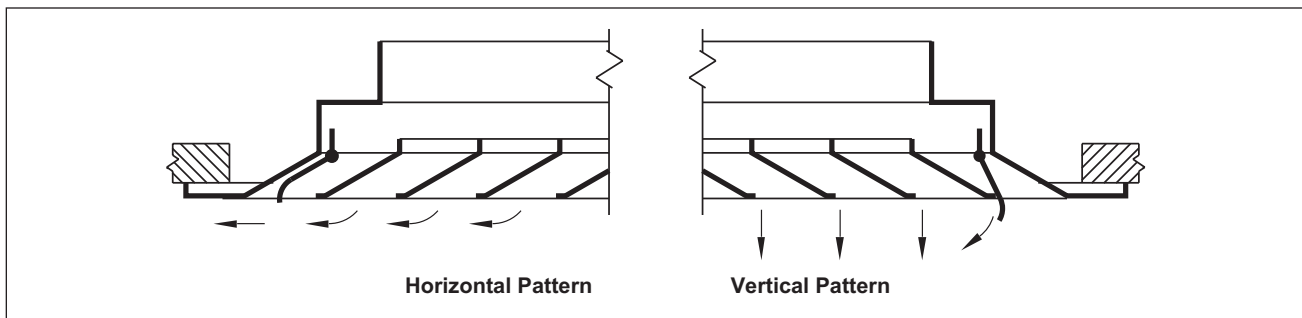


| Border Types 1, 5, 6 |                           |
|----------------------|---------------------------|
| Dimension A          | Available Round Duct Size |
| 6 x 6                | 6                         |
| 9 x 9                | 6, 8                      |
| 12 x 12              | 6, 8, 10, 12              |
| 15 x 15              | 6, 8, 10, 12, 14          |
| 18 x 18              | 6, 8, 10, 12, 14, 16      |

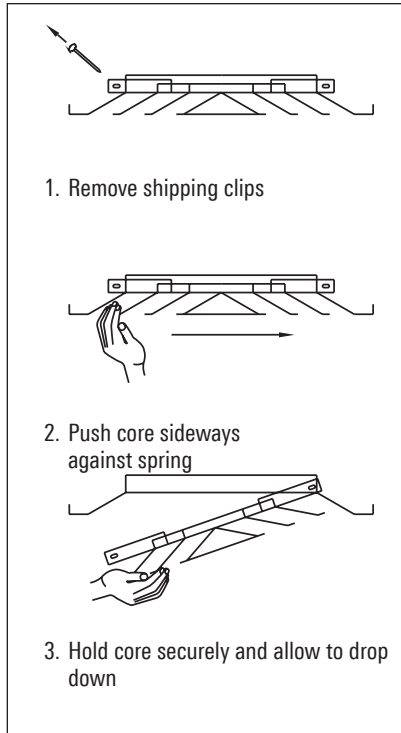
Note: Round duct sizes are available only in sizes shown. Border type 5 is only available in steel.

| Border Types 2, 3, 4  |             |                           |
|-----------------------|-------------|---------------------------|
| Available Module Size | Dimension A | Available Round Duct Size |
| 12 x 12               | 6 x 6       | 6                         |
|                       | 9 x 9       | 6, 8                      |
| 24 x 24               | 6 x 6       | 6                         |
|                       | 9 x 9       | 6, 8                      |
|                       | 12 x 12     | 6, 8, 10, 12              |
|                       | 15 x 15     | 6, 8, 10, 12, 14          |
|                       | 18 x 18     | 6, 8, 10, 12, 14, 16      |
|                       |             |                           |

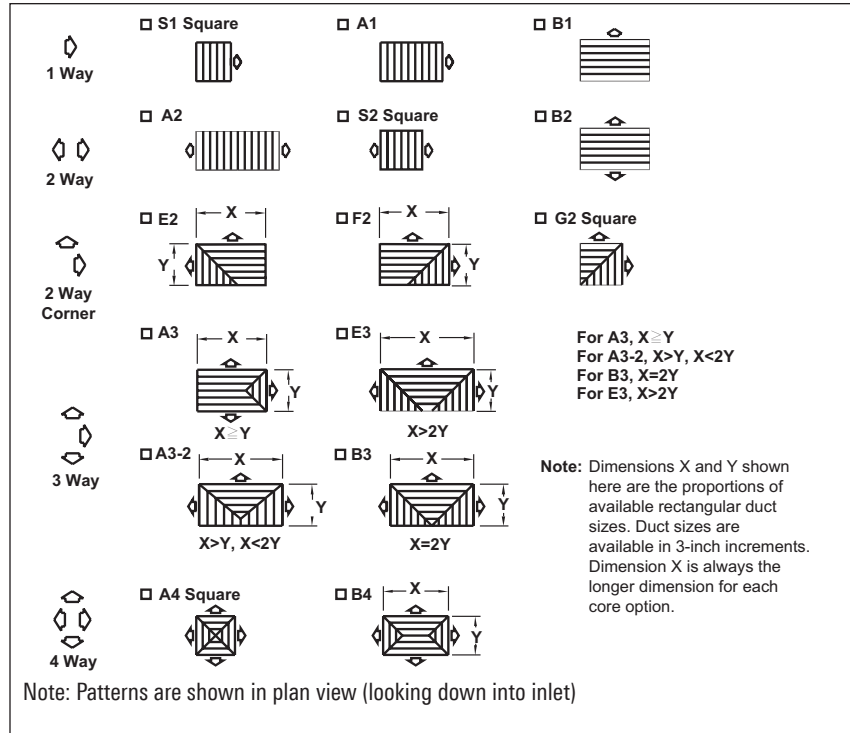
ADJUSTING HORIZONTAL-TO-VERTICAL DISCHARGE PATTERN - TDCA, TDCA-AA



REMOVING CENTER CORE



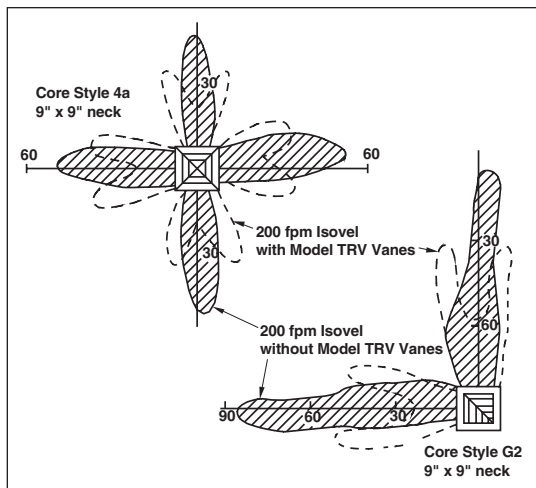
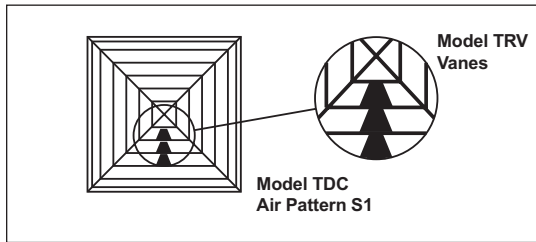
OPTIONAL PATTERNS

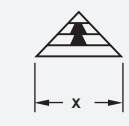
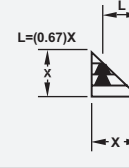



Optional Patterns (continued)

PERFORMANCE

- The table below shows the quantity and location of Model TRV vanes required per side of the diffuser
- Total pressure will be 1.40 times that listed in the diffuser performance table
- Throw reduction will be shown in the isovel diagrams
- Sound level will be 4 NC higher than that listed in the diffuser performance table



| Dimension X Inches  | Quantity of Model TRV Vanes Required (per Side) |   |    |    |    |    |    |    |    |    |    |    |
|---|---|---|----|----|----|----|----|----|----|----|----|----|
|   | 3   | 6 | 9  | 12 | 15 | 18 | 21 | 24 | 27 | 30 | 36 | 48 |
|  | -   | 1 | 1½ | 2½ | 3  | 4  | 5  | 5  | 6  | 7  | 8  | 11 |
|  | -   | 2 | 2  | 3  | 4  | 4  | 5  | 7  | 7  | 8  | 10 | 14 |
|  | 1½  | 3 | 4  | 5  | 7  | 8  | 9  | 11 | 12 | 13 | 16 | 22 |