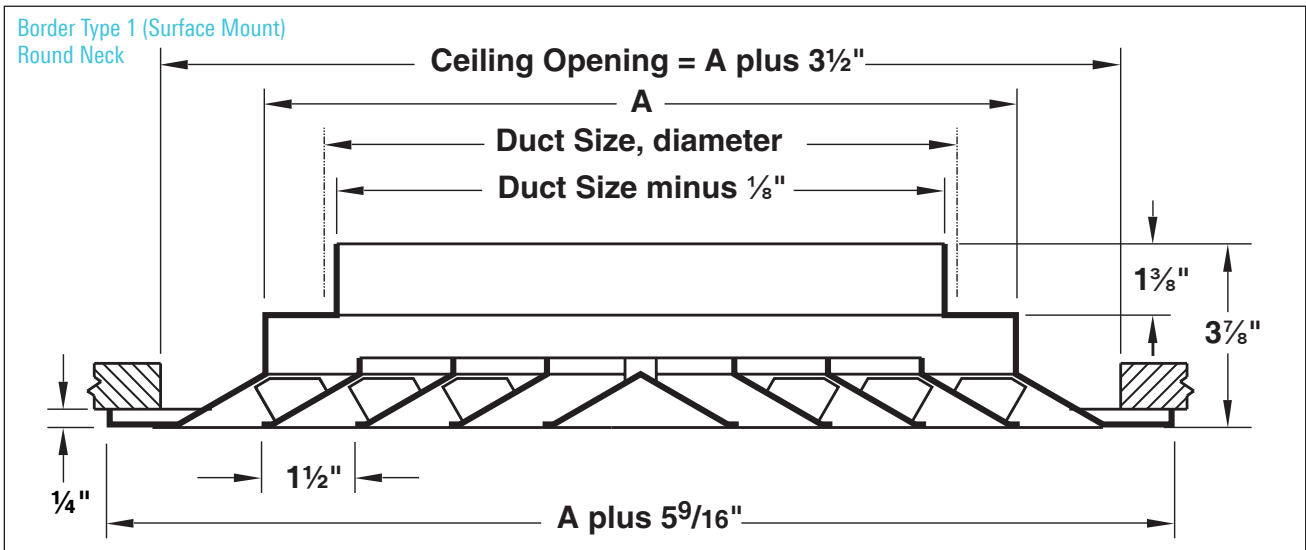
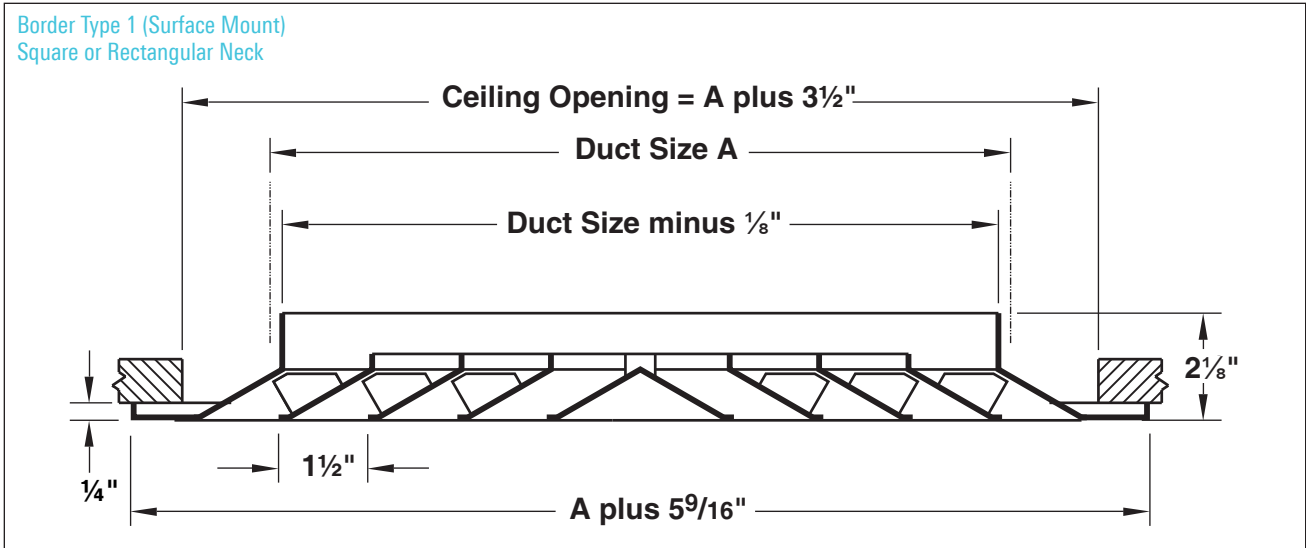


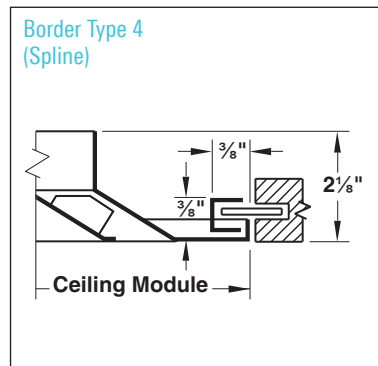
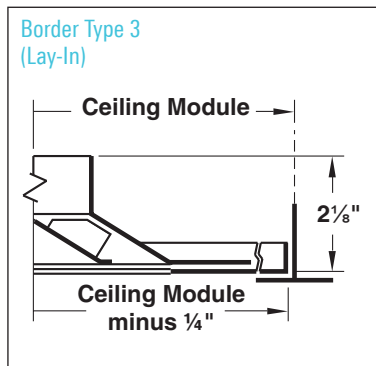
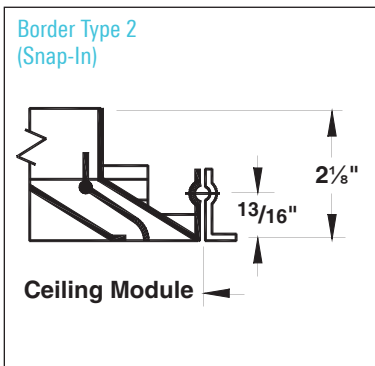
DIMENSIONS

Redefine your comfort zone.™ | www.titus-hvac.com

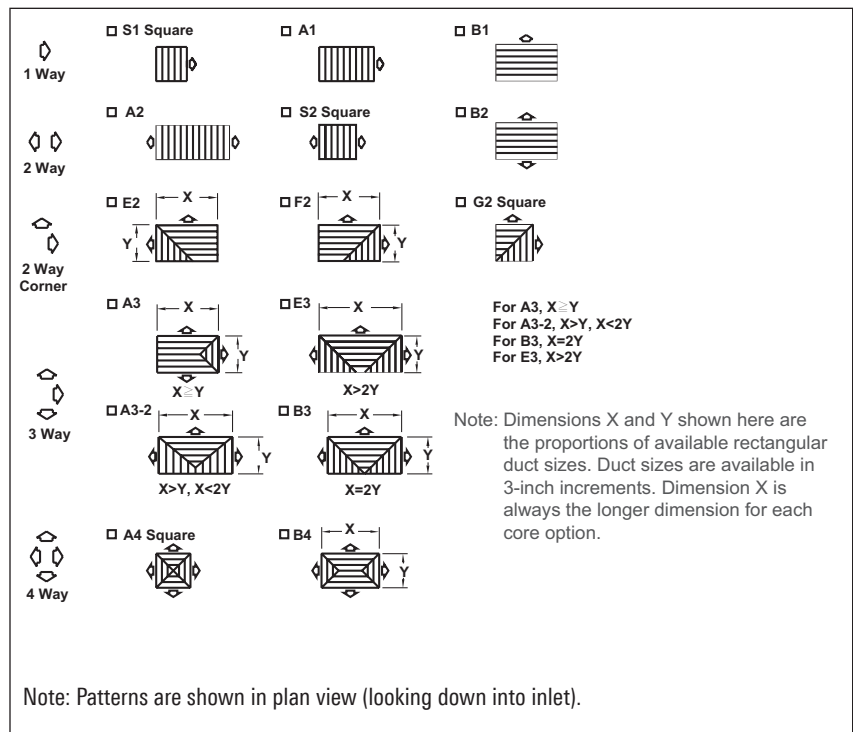
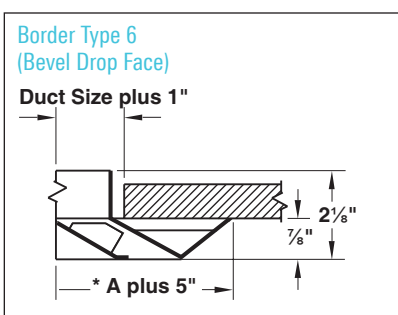
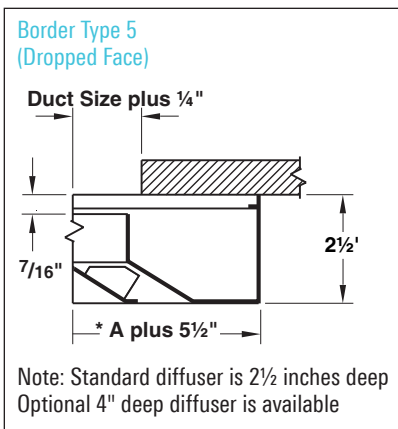
TDV / TDV-AA-NT UNIT DIMENSIONS



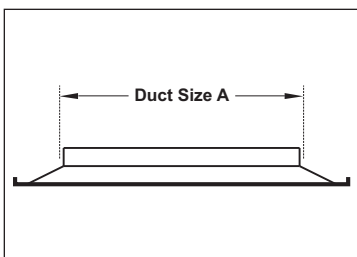
BORDER TYPES



DIMENSIONS



AVAILABLE DUCT SIZES - SQUARE AND RECTANGULAR NECKS

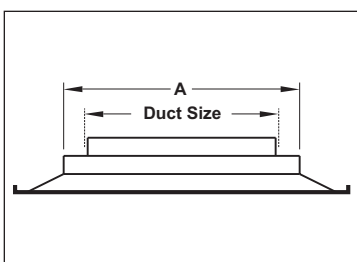


Border Types 1, 5, 6	
Minimum Duct Size A	Maximum Duct Size A
6 x 6	48 x 48 (note 2)

Border Types 2, 3, 4		
Available Module Size	Minimum Duct Size A	Maximum Duct Size A
12 x 12	6 x 6	6 x 6
24 x 24	6 x 6	18 x 18
48 x 24	12 x 12	42 x 18 (note 3)

Note 1: Duct sizes are available in 3" increments only  
Note 2: Maximum duct size for border 5 is 36" x 36". Maximum duct size for TDV-AA is 36" x 36".  
Note 3: Maximum duct size for TDV-AA is 36" x 18"

AVAILABLE DUCT SIZES - ROUND NECKS



Border Types 1, 5, 6	
Dimension A	Available Round Duct Size
6 x 6	6
9 x 9	6, 8
12 x 12	6, 8, 10, 12
15 x 15	6, 8, 10, 12, 14
18 x 18	6, 8, 10, 12, 14, 16

Border Types 2, 3, 4		
Available Module Size	Dimension A	Available Round Duct Size
12 x 12	6 x 6	6
24 x 24	6 x 6	6
	9 x 9	6, 8
	12 x 12	6, 8, 10, 12
	15 x 15	6, 8, 10, 12, 14
	18 x 18	6, 8, 10, 12, 14, 16

Note: Round duct sizes are available only in sizes shown

REMOVING CENTER CORE

